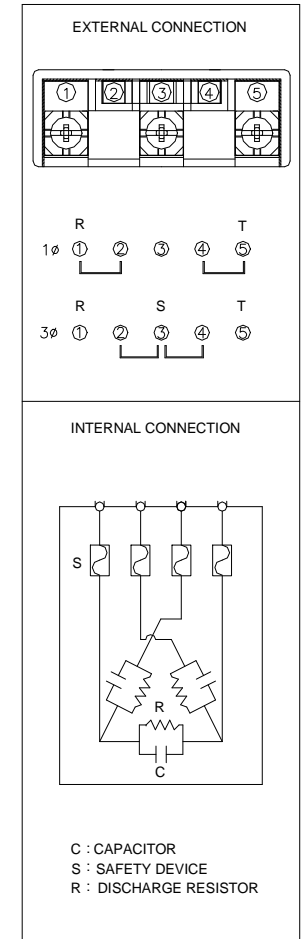
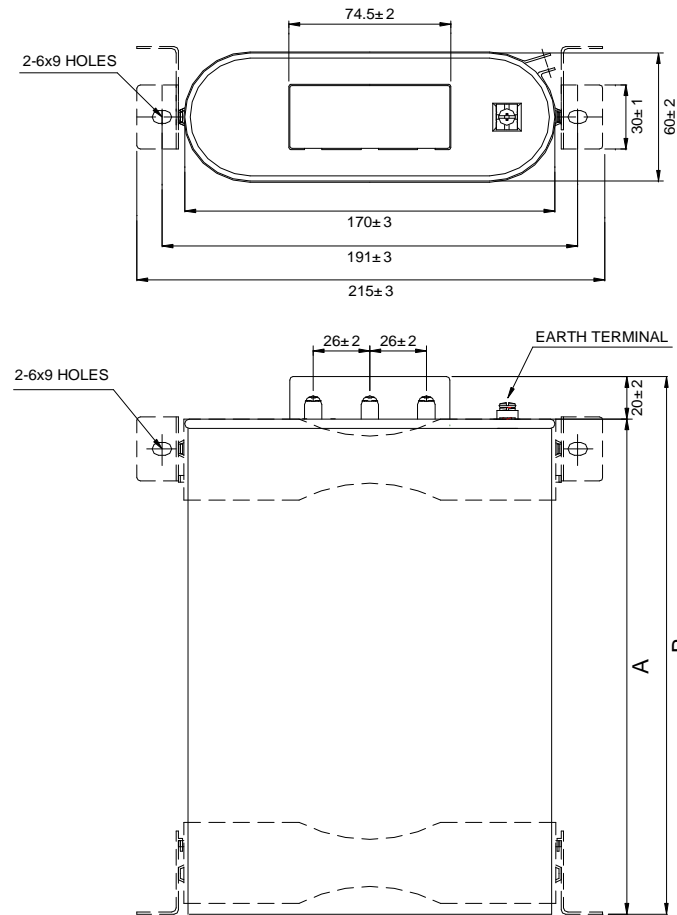


Technical data sheet

Type	SMS-45015KT
Standard	IEC 60831-1
Ambient temperature	-25°C ~ +55°C
Altitude	< 1000m
Rated Voltage	440V
Rated Capacity	15kvar
Rated Capacitance	246.6 μ F
Rated Current	19.7A
Rated Frequency	50Hz
Phase	3 Φ
Capacitance Tolerance	-5% ~ +10%
Capacitor Loss	3.5W/kvar
(In stability state, average loss, at rated voltage & frequency)	
Dielectric Type	MPP - film
Inner connection	1S X 2P
Discharging Resistor time	75V / 3min
Discharging Resistor	0.8M Ω
Impregnation	S-OIL(Non-P.C.B)
Fluid	1.1kg
Painting	Munsell 5Y 7/1



Dimension(mm)		Weight
A±3	B±7	(approx kg)
255	275	2.5

△ x				
△ x				
△ x				
SIMBOL	ITEM	REASON	DATE	CHECK

SAMWHA CAPACITOR CO., LTD.

Http://www.samwha.com/fc Tel: +82 31 330 5817

124, Buk - ri, Namsa - myeun, Cheoin - Gu, Yongin - City,
Kyungki - Do, Korea (Zip code : 449 - 884)

LOW VOLTAGE POWER CAPACITOR
(440V 3 Φ 50Hz 15kvar)

DESIGN	CHECKED	APPROVAL
J.H.CHO	H.S.SHIN	S.S.CHO

SCALE	N/S	DIM	mm
DATE	Apr, 13, 2012		

SPEC NO	PM - 2269
DRAW NO	KM - 2269