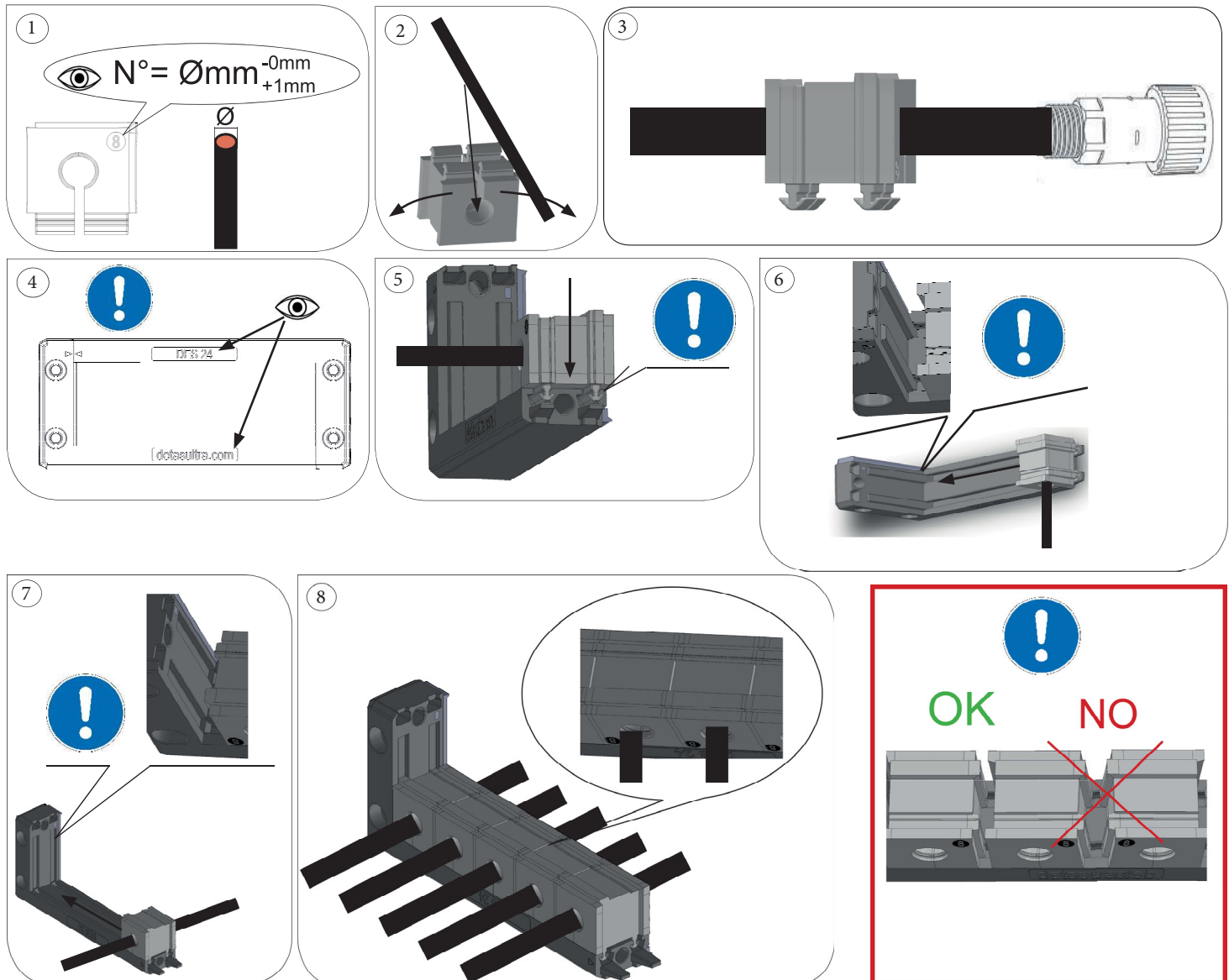


	A ± 0,5mm	B mm	C mm	D ± 0,5mm	E mm
DES24	108	32	130	39	Ø5 +0.20 -0.05
DES16	86	32	103	39	Ø5 +0.20 -0.05
DES10	63	32	83	39	Ø5 +0.20 -0.05
DESQ	40	32	58	39	Ø5 +0.20 -0.05



1. $N^\circ = \text{Ømm} \begin{matrix} -0\text{mm} \\ +1\text{mm} \end{matrix}$

2. Insert cable into gland.

3. Tighten the gland.

4. Mount gland on panel. **!** (Warning: correct orientation)

5. Tighten gland on panel. **!** (Warning: correct torque)

6. Tighten gland on panel. **!** (Warning: correct torque)

7. Tighten gland on panel. **!** (Warning: correct torque)

8. Final assembly with multiple glands. **!** (Warning: correct orientation)

OK **NO**

