

## MOUNTING INSTRUCTIONS FOR AUXILIARY CONTACTS FOR KU- AND VKA-SWITCHES

1. Turn the switch to OFF-position (O).
2. Push the auxiliary contact unit on the switch. Make sure that snap-on plate is firmly clipped on at both sides (see picture 1).

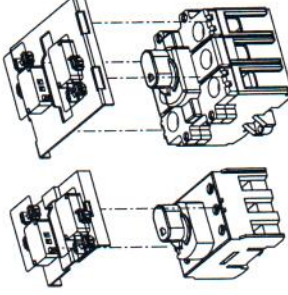
Auxiliary switch terminals



**WARNING**  
Auxiliary contact may be broken if pushed on switch in ON-position (!).

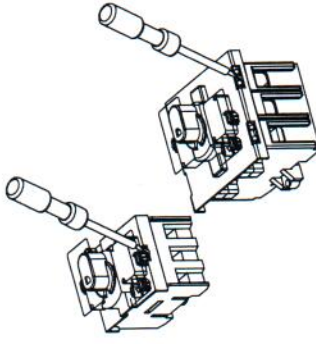
The auxiliary contact unit can be removed with the help of a screwdriver ( see picture 2).

KU1.V/KU2.V      VKA1.V/VKA2.V



KU-SWITCH      VKA-SWITCH

Picture 1.



Picture 2.