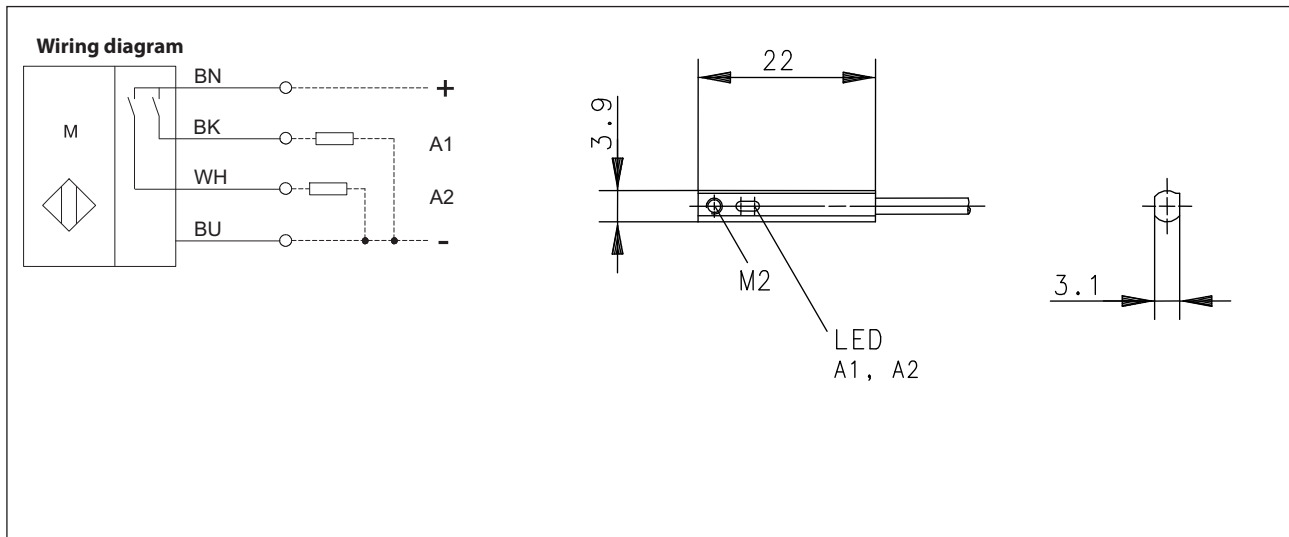


Magnetic Switch

Series E22

Description **MEK-E22PS/HP2-KL2-EX**

Article number **6370281189**





Identifying characteristics in accordance with EN 60947-5-2

Electrical data	
Magnetic sensitivity	$\pm 1,5 \text{ mT} \dots \pm 13,5 \text{ mT}$ (north / south activated)
Switching element function	DC, N.O., open collector, 2 switching points programmable
Repeat accuracy	R $\leq 0,1 \text{ mT}$ (constant U_B and ambient air temperature)
Differential travel (hysteresis)	H $1 \text{ mT} \leq H \leq 1,35 \text{ mT}$
Operational voltage range	U_B 10 – 30 VDC
Rated insulation voltage	U_i 75 VDC
Voltage drop	U_d $< 2 \text{ V}$ @ 50 mA
Utilization category	DC-12
Rated operational current	I_e $\leq 50 \text{ mA}$ (one output activated) $\leq 25 \text{ mA}$ per output (both outputs activated)
Leakage current	$< 25 \mu\text{A}$
No-load supply current	I_o $< 10 \text{ mA}$ (not actuated)
Switching element	Hall
Short-circuit protection	pulsed
Mounting	from side or from top into a C-Groove
False polarity protection	yes

Electromagnetic compatibility (EMC)	
Electromagnetic field test	IEC 61000-4-3
Electrostatic discharge test	IEC 61000-4-2
Electrical fast transient immunity test (Burst)	IEC 61000-4-4
Conducted disturbances, inducted by high frequency electromagnetic fields	IEC 61000-4-6
Radiated disturbance field strength	EN 55011

Mechanical data	
Enclosure	GV-5H (PA), black
Ambient air temperature	-20°C ... +80°C (cable fixed mounted)
Type of protection	IP 67 acc. to EN 60529
Function indication	Output A1 Output A2
	LED orange, output indication / output activated LED yellow, output indication / output activated
Termination type	Cable 4 x 0,05 mm ² x 2 m ±5 %, PUR - Outer jacket, black;
Attachment	1 x setscrew M2 x 3, DIN 913 1 x allen wrench 1 x magnetic programming tool

EU Conformity	acc. to directive 2004 / 108 / EC
----------------------	-----------------------------------

Label
 II 2 G Ex mb IIC T6 Gb
 II 2 D Ex tb IIIC T85°C Db

Approvals	KEMA 08ATEX0130 X
------------------	-------------------