

Motor Control Solid State Relays

with Heatsink



SMC3-15 480C DOL



SRC3-10 480A



STL3-15 480

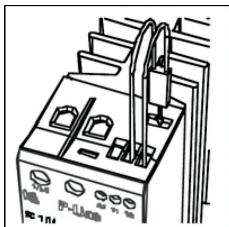


SMC3-25 480C

SMC3-15 480C



SMC3-3 480C



Optional thermal overload protection using Thermostat

SMC3-DOL Series - Semiconductor Motor Controllers (DOL)

Solid state contactor for motor control. Ideal for motors requiring frequent starts, inching/jogging and plugging. AC3 and AC4 applications.

PART NUMBER	LINE VOLTAGE	MOTOR LOAD	RATED CURRENT	TRADE PRICE
SMC3-15 480C DOL	380~480VAC	7.5kW / 10HP	15A	\$579.69

SRC3 Series - AC Semiconductor Reversing Contactors

Solid state contactors for DOL motor reversing. Space saving model ideal for frequent motor reversing. AC3 and AC4 applications.

PART NUMBER	LINE VOLTAGE	CONTROL VOLTAGE	MOTOR LOAD	RATED CURRENT	TRADE PRICE
SRC3-10 480A	400~480VAC	5~24VDC	4kW / 5.5HP	10A	\$535.04
SRC3-10 480C	400~480VAC	24~230VAC/DC	4kW / 5.5HP	10A	\$553.09

STL3 Series - Starting Torque Limiter (Soft Starter)

Controls starting torque by ramping the voltage in one leg of the 3-phase supply. Can be used in some single phase motor applications.

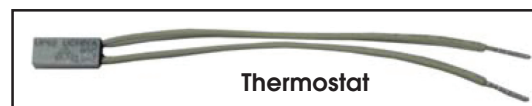
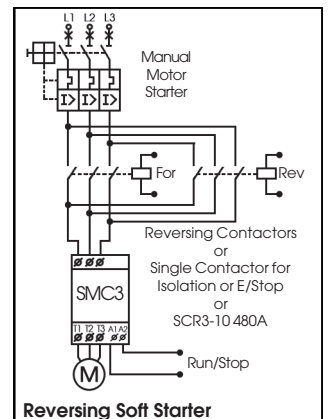
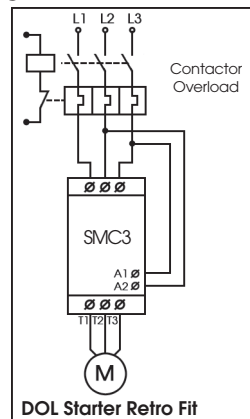
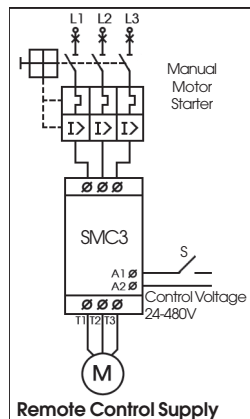
PART NUMBER	LINE VOLTAGE	MOTOR LOAD	RATED CURRENT	TRADE PRICE
STL3-15 480	380 ~ 480VAC	7.5kW / 10HP	15A	\$289.86
STL3-25 480	380 ~ 480VAC	11kW / 15HP	25A	\$333.57

SMC3-3 and SMC3-15/25 Series - AC Semiconductor Soft Starters

These soft starter modules reduce the starting torque by ramping up the voltage in two legs of the 3 phase supply. Kick start and ramp down also included.

PART NUMBER	LINE VOLTAGE	MOTOR LOAD	RATED CURRENT	TRADE PRICE
SMC3-3 480C	400 ~ 480VAC	1.5kW / 2HP	3.5A	\$460.00
SMC3-15 480C	400 ~ 480VAC	7.5kW / 10HP	15A	\$579.69
SMC3-25 480C	400 ~ 480VAC	11kW / 15HP	25A	\$869.53

Typical Circuit Diagrams



Thermostat

PART NUMBER	TRADE PRICE
TO6290	\$29.29