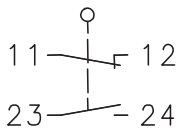


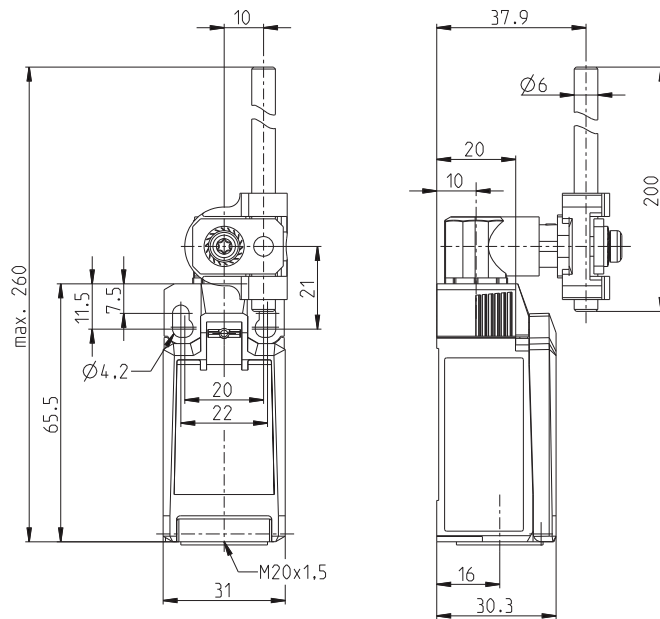
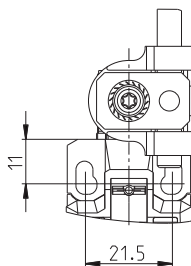
# Plastic bodied limit switch Series IN65

|                                 |                                  |
|---------------------------------|----------------------------------|
| Description <b>IN65-U1 AHDM</b> | Article number <b>6083000303</b> |
|---------------------------------|----------------------------------|

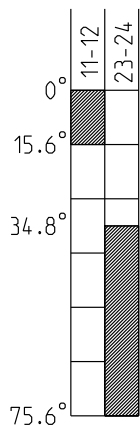
### Operating symbol



Fixed positioning with e.g. fixing screw M5 according to the standard DIN EN ISO 4762.

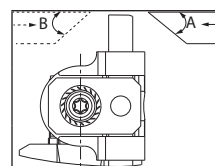
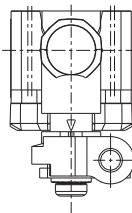


### Operating diagram



ON
  OFF

Tolerance:  
 Operating point  $\pm 3,5^\circ$ ;  
 Operating force  $\pm 10\%$



| m/s | 0,1 | 0,5 | 1   | 2   | 5   |
|-----|-----|-----|-----|-----|-----|
| A   | 45° | 45° | 45° | 40° | 30° |
| B   | 45° | 45° | 45° | 40° | 30° |

| Electrical Data                         |           |   |
|---|-----------|---|
| Rated insulation voltage                | $U_i$     | 400 V   |
| Rated impulse withstand voltage         | $U_{imp}$ | 4 kV  |
| Rated operational voltage               | $U_e$     | 240 V AC / 24 V DC  |
| Rated supply frequency AC               |           | 50 / 60 Hz  |
| Overvoltage category                    |           | II acc. EN 60947-1 annex H table H1                         |
| Conv. thermal current                   | $I_{the}$ | 5 A   |
| Minimum current                         |           | 1 mA  |
| Reliability                             |           | acc. EN 60947-5-4 @ 24 V DC, 10 mA, 1 mA, $U_{kd}$ 2,4 V DC |
| Utilization category                    |           | AC 15, $U_e/I_e$ 240 V / 3 A<br>DC 13, $U_e/I_e$ 24 V / 4 A |
| Short-circuit protective device         |           | Fuse 4 A gG   |
| Rated conditional short-circuit current |           | 400 A   |
| Max. contact resistance                 |           | 25 mOhm (unused)  |
| Electrical life                         |           | on request  |

| Mechanical data                    |       |   |
|------------------------------------|-------|---|
| Enclosure                          |       | Thermoplastic, glass fibre reinforced (UL 94-V0)  |
| Cover                              |       | Thermoplastic, glass fibre reinforced (UL 94-V0)  |
| Actuator                           |       | Metal wire Ø6 mm / lever in 15 ° increments adjustable                                  |
| Actuating force                    | $F_B$ | 10 N ≤ $F_B$ ≤ 30 N   |
| Operating temperature              |       | -30 °C ... +75 °C   |
| Storage temperature                |       | -40 °C ... +80 °C   |
| Protection type                    |       | IP66 / IP67 acc. EN 60529   |
| Pollution degree (built-in switch) |       | 3   |
| Contact material                   |       | silver  |
| Device Class (built-in switch)     |       | Category E (MC3+CC2+SC1) acc. EN 60947-1 annex Q  |
| Contact type                       |       | 1 N.C., 1 N.O. (Form Zb)  |
| Isolating distance                 |       | 4 mm (2x2 mm)   |
| Operating rate                     | $V$   | 0,06 m/min ≤ $V$ ≤ 30 m/min   |
| Bounce duration                    | ms    | The value depends on the operating rate.  |
| Switchover time                    | ms    | The value depends on the operating rate.  |
| Switching frequency                |       | ≤ 60 / min.   |
| Mechanical life                    |       | 10 x 10 <sup>6</sup> operating cycles   |
| Mission time                       |       | ≤ 20 years  |
| Connection                         |       | 4 screw connections (M3)  |
| Conductor cross-sections           |       | Solid or Litz wire with ferrules 0,34 mm <sup>2</sup> - 1,5 mm <sup>2</sup> ; AWG 22-16 |
| Cable entrance                     |       | 1 x M20 x1,5  |
| Weight                             |       | ≈ 0,09 kg   |
| Installation position              |       | operator definable  |

| Actuation   |  |
|---|--|
| <p>The actuating device is preferably started from 2 sides.<br/>                     By lifting the clamp the actuation assembly can be rotated in 45° increments such that 16 actuation directions are possible.<br/>                     The actuation assembly is to be again fastened to the housing by lowering the clamp.</p> |  |

| Standards |  |
|-----------|--|
|           | VDE 0660 T100, DIN EN 60947-1, IEC 60947-1     |
|           | VDE 0660 T200, DIN EN 60947-5-1, IEC 60947-5-1 |
|           | VDE 0660 T211, DIN EN 60947-5-4, IEC 60947-5-4 |
|           | UL 60947-1, CAN/CSA-22.2 No. 60947-1-13        |
|           | UL 60947-5-1, CAN/CSA-C22.2 No. 60947-5-1-14   |
|           | UL 508   |

| EU Conformity |  |
|---------------|--|
|               | acc. to directive 2014/35/EU (Low-Voltage-Directive) |

| Approvals |  |
|-----------|--|
|           | DGUV (AC 15, $U_e/I_e$ 240 V / 1,5 A; DC 13, $U_e/I_e$ 24 V / 1,5 A)       |
|           | CCC (AC 15, $U_e/I_e$ 240 V / 1,5 A; DC 13, $U_e/I_e$ 24 V / 1,5 A)        |
|           | cCSA <sub>US</sub> B300, 240Vac 1.5A G.P., 24Vdc 1.5A R. Enclosure Type 4X |
|           | TÜV  |

| Notes |  |
|-------|--|
|       | The degree of protection (IP code) specified applies solely to a property closed cover and the use of an equivalent cable gland with adequate cable. |