

MEASUREMENT

Voltmeters and Ammeters

TECHNICAL DATA		
Type:	Analogue	Digital
Standards:	EN 60051-1, EN 60051-2	EN 61010-1
Rated operating voltage (Ue):	(V) -	230 a.c.
Rated frequency:	40-60	15-100
Ammeter interchangeable scales and capacity:	10-20-30-40-50-60-100-150-250 400-600-1000-1200-1500	5 ÷ 999
Voltmeter scales:	(V) 300-500 a.c.	500 a.c.
Precision class:	1.5	0.5
Ammeter overloadability:	10 In for 1s / 2 In continuous	1.1 In continuous
Voltmeter overloadability:	2 Ue for 5s / 1.2 Ue continuous	1.2 Ue continuous
Absorbed power:	(VA) 0.3 (ammeter) 1.5 (voltmeter)	2 (ammeter) 1.5 (voltmeter)
Degree of protection:	IP20	IP20
Operating temperature:	(°C) -10...+55	-5...+55
Maximum cable section:	(mm ²) 6	6

Analogue voltmeters and ammeters

Indicator instruments of the electromagnetic type made up of a movable coil element. The voltmeter is the direct activation type, with a scale of 0-300/0-500V. The ammeters of 10 - 20 - 30A capacity use direct activation, whereas the GW 96 878 ammeter allows the measurement of currents up to 1500A thanks to the use of the appropriate TA and relative scale.

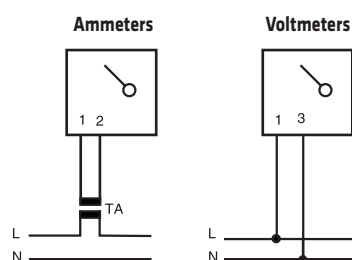
Digital voltmeters and ammeters

The digital tools with completely electronic operation ensure high precision and a long lifespan, thanks to the absence of moving mechanical parts subject to wear and tear. The measurement is displayed by means of a digital multiscale display. The ammeters are fitted for capacity selection using the front push-button.

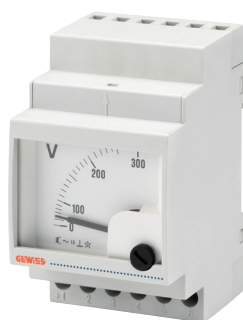
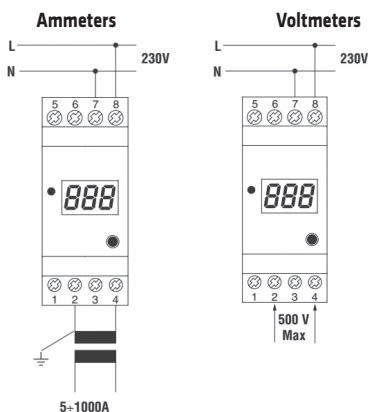
The current transformers (.../5) must have a primary current equal to the capacity pre-set on the tool.

Circuit diagrams

ANALOGUE



DIGITAL



Hour counter

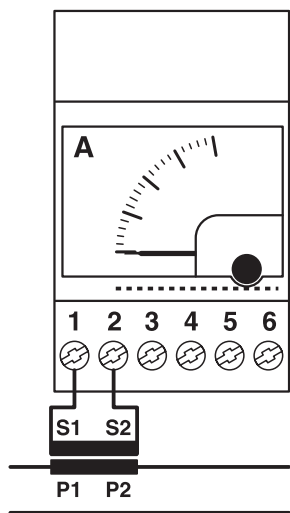
TECHNICAL DATA		
Standard:		EN 60335-1, EN 60335-2-26
Rated operating voltage (Ue):	(V)	230 a.c.
Rated frequency:	(Hz)	50
Displayed digits:		99,999.99
Resetting:		no
Absorbed power:	(VA)	1
Degree of protection:		IP20
Operating temperature:	(°C)	-25...+55
Maximum wire section:	(mm ²)	10



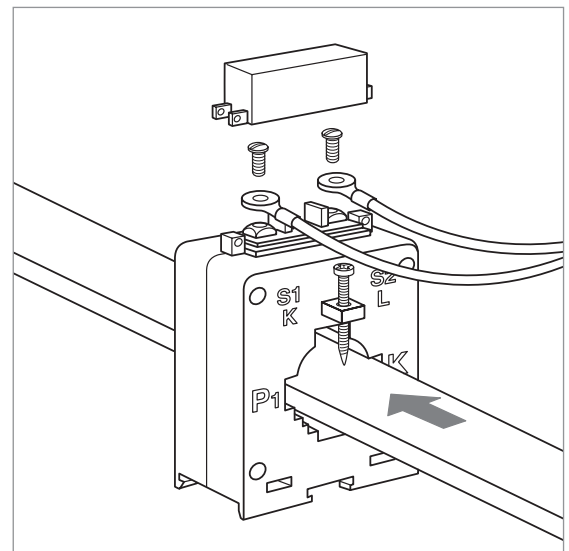
Current transformers

TECHNICAL DATA		
Standards:		EN 61869-1, EN 61869-2
Secondary current:	(A)	5
Rated frequency:	(Hz)	50-60
Test voltage:		6kV at 50Hz for 1 min.
Overload:		1.2 I _n
Dynamic shorting current:		2.5 I _{th}
Safety factor:		< 5
Degree of protection:		IP30
Operating temperature:	(°C)	-20...+50
Storage temperature:	(°C)	-40...+80
Relative humidity:		80%
Maximum cable section:	(mm ²)	10

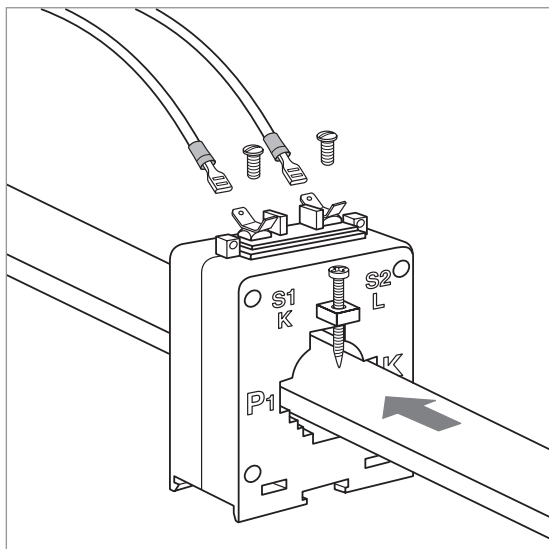
Circuit diagrams



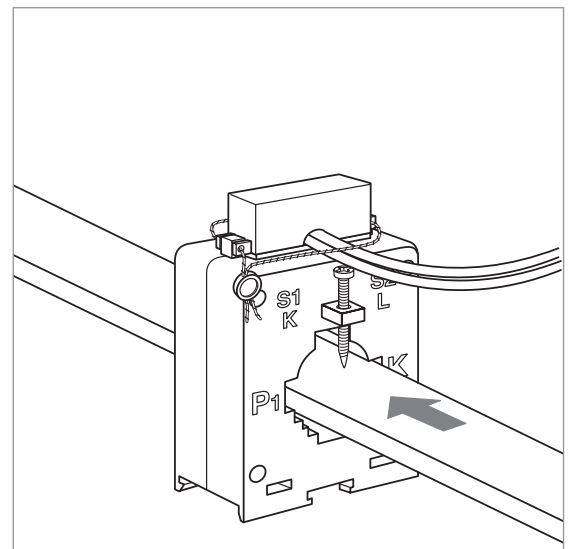
CONNECTION WITH CABLE TERMINAL



CONNECTION WITH FAST-ON (6.3MM)

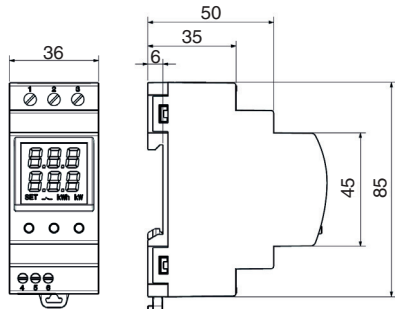


TERMINAL COVER FIXING AND SEALING

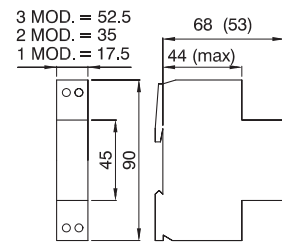


MODULAR ACCESSORIES

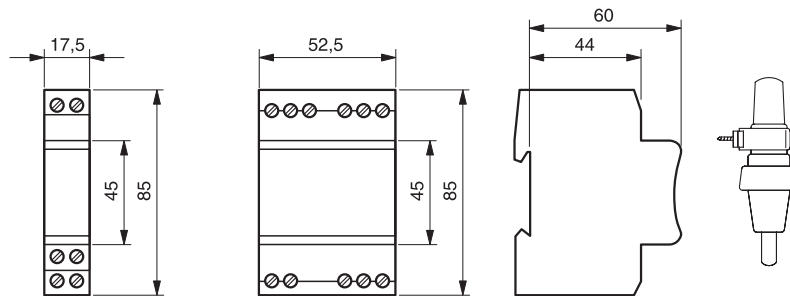
LOAD MANAGEMENT RELAY



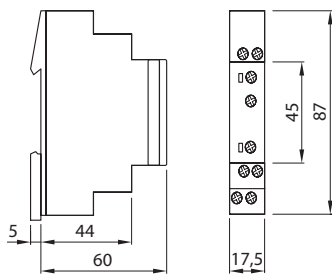
TIME SWITCHES



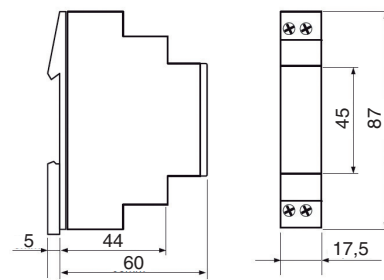
TWILIGHT SWITCHES



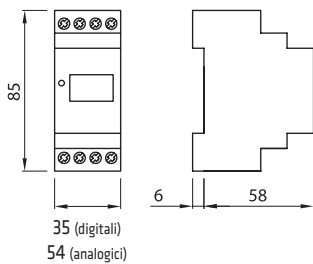
CONTROL RELAYS AND TIMERS



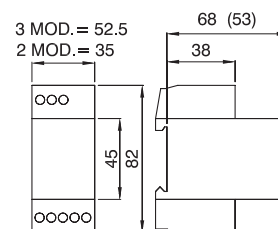
STAIRCASE LIGHTING TIME DELAY SWITCH



DIGITAL VOLTMETER AND DIGITAL AMMETER

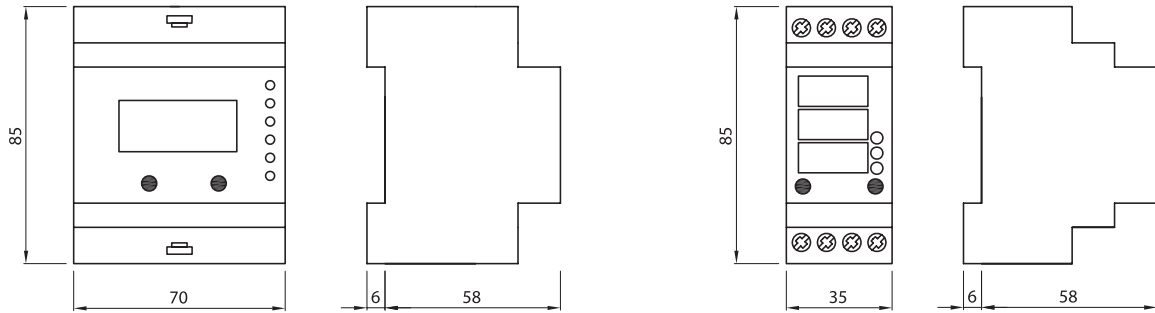


HOURLY COUNTER

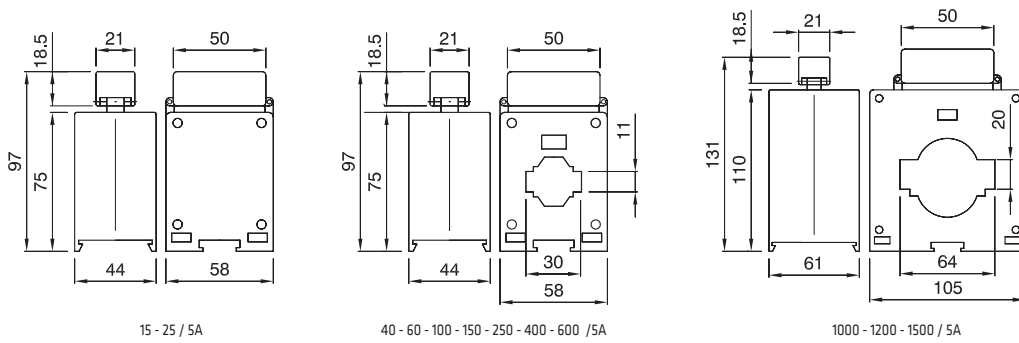


MODULAR ACCESSORIES

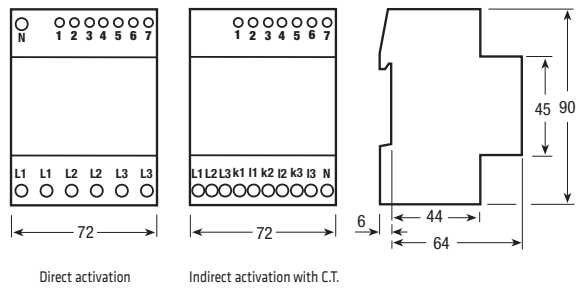
NETWORK ANALYSER, MULTIMETER



CURRENT TRANSFORMERS



THREE-PHASE DIGITAL ENERGY METERS



SINGLE-PHASE DIGITAL ENERGY METERS

