

## Enclosed Manual Motor Starters (Single or 3-Phase)

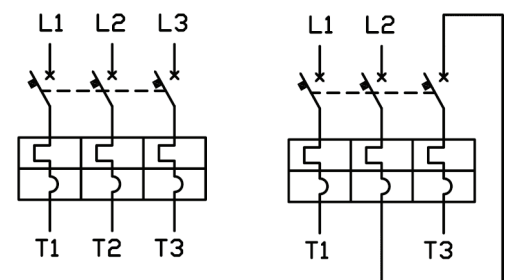
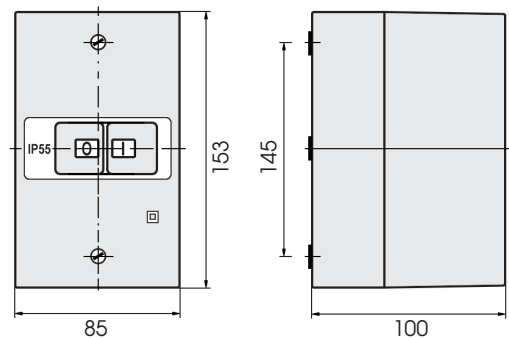
- The MMS incorporates manual push button operation. This combines the benefits of a circuit breaker with an adjustable thermal overload for motor protection.
- Shock-proof plastic enclosure IP55
- Short circuit protection
- Overload protection
- Phase failure protection
- Signalling - using auxiliary contact block



HO55

### Component Selection

DESCRIPTION	PART NUMBER	TRADE PRICE
MMS 0.1 ~ 0.16A	GHA32 - 0.16A	\$111.47
0.16 ~ 0.25A	GHA32 - 0.25A	\$111.47
0.25 ~ 0.4A	GHA32 - 0.4A	\$111.47
0.4 ~ 0.63A	GHA32 - 0.63A	\$111.47
0.63 ~ 1.0A	GHA32 - 1.0A	\$111.47
1.0 ~ 1.6A	GHA32 - 1.6A	\$111.47
1.6 ~ 2.5A	GHA32 - 2.5A	\$111.47
2.5 ~ 4.0A	GHA32 - 4.0A	\$111.47
4.0 ~ 6.3A	GHA32 - 6.3A	\$111.47
6.3 ~ 10A	GHA32 - 10A	\$133.71
Refer Page 35 for full range		
Plastic Enclosure - IP55	<b>HO-55</b>	\$38.27
Plastic Enclosure - IP55	<b>FP-55</b>	\$32.53
Aux Contact - 1NO/1NC side	<b>HS11</b>	\$22.01
Aux Contact - 2NO side	<b>HS20</b>	\$22.01
Aux Contact - 1NO top	<b>HSV10</b>	\$17.48
Aux Contact - 1NC top	<b>HSV01</b>	\$17.48
Undervoltage Release - 400V	<b>UR380/50</b>	\$48.56
Undervoltage Release - 230V	<b>UR220/50</b>	\$48.56



Three phase

Single phase

Note: In situations where restart on a power failure is an issue use an undervoltage release module for additional protection.

## Star-Delta Starters

- In Metal Enclosure IP65  
- (Option - Stainless Steel)



- Star-Delta Starters provide an economic method of reduced voltage starting. The method reduces the starting current and starting torque by approximately 33% of the DOL values for a given motor.
- In the below Star-Delta Starters, the overload relay is electrically positioned in the phase windings of the motor and provides single phase protection. The overload operates on phase current - not line current.
- Set overload current to the phase current. Multiply FLC x 0.577.
- Larger sizes and custom built starters are also available on request.

MAX POWER	DIMENSIONS H x W x D mm	PART NUMBER	TRADE PRICE
11kW (15hp)	300 x 300 x 200	<b>SEOC-211 M</b>	\$857.66
11kW (15hp)	300 x 300 x 200	<b>SEOC-211 MP</b>	\$902.95
18.5kW (25hp)	300 x 300 x 200	<b>SEOC-218 M</b>	\$1110.42
18.5kW (25hp)	300 x 300 x 200	<b>SEOC-218 MP</b>	\$1155.72
22kW (30hp)	400 x 300 x 200	<b>SEOC-222 M</b>	\$1494.69
22kW (30hp)	400 x 300 x 200	<b>SEOC-222 MP</b>	\$1539.98

Notes: ● P = Includes Start and Stop Pushbuttons