

CHARLIE

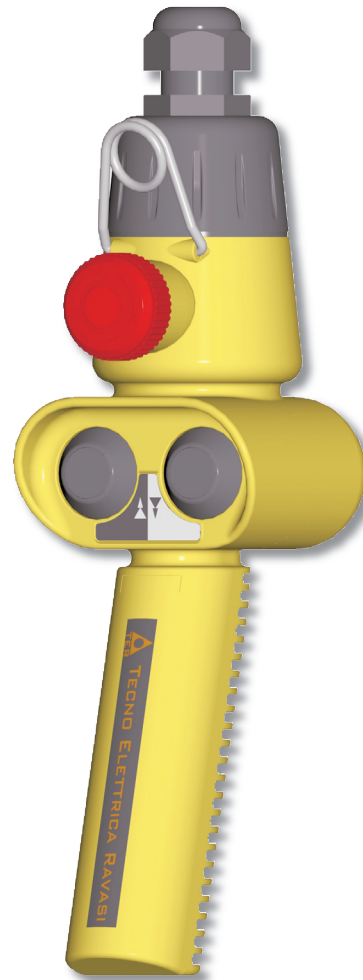
CHARLIE PENDANT CONTROL STATION

Charlie Pendant Station is a control device for all industrial machinery. It operates as an auxiliary controller of electrical motors through a power interface, such as a contactor or PLC. Designed for heavy duty, Charlie is aimed specifically for the industrial market.

The look of Charlie has been devised by industrial designers who have linked all the graphic elements to specific technical functions. The project has been developed on the basis of specifications such as technicism, anthropomorphism, futurism and ergonomics to obtain a product whose connotation adds to its uniqueness. The small size of the equipment facilitates its use in all environmental and working conditions, while the shape, resulting from the research of a graphic style suitable for a modern industrial environment, makes Charlie very handy.

A threaded ring is used to secure the enclosure and cover, which also allows easy access to the internal components without any need for tools or screws. The switches are assembled inside the pendant station without the need for screws and they all have terminals facing the cable clamp of the pendant station and screws on the opposite side to facilitate wiring. All electric connections use screw-type terminals.

The emergency stop mushroom pushbutton complies with the EN 418 standard and is equipped with positive opening NC switches. Materials and components are wear resistant and protect the equipment against water and dust. Charlie can be customised with labels and colours according to the customer's requirements.



TECHNICAL SPECIFICATIONS

Conformity to Community Directives	2006/95/CE	
Conformity to Standards	EN 60204-1 EN 60947-1 EN60947-5-1	
	EN 60529 EN 418	
Ambient temperature	Storage	-40°C/+70°C
	Operational	-25°C/+70°C
Protection degree	IP 65	
Insulation category	Class II	
Cable entry	Cable clamp M20 - Spiral cable clamp PG16	
Operating positions	Any position	
Weight	~ 320 g	
Markings	CE	

TECHNICAL SPECIFICATIONS OF THE SWITCHES

Utilisation category	AC 15
Rated operational current	3 A
Rated operational voltage	250 V
Rated thermal current	10 A
Rated insulation voltage	500 V~
Mechanical life	0,5x10 ⁶ operations
Terminal referencing	According to EN 50013
Connections	Screw-type terminals
Markings	CE - UL - (c)UL

FEATURES OF THE SWITCHES

The single switches PRSL1000PI and PRSL1001PI have 1 NO or 1 NC contact with 2 connecting terminals.

The double switch PRSL1002PI (1 speed) has:

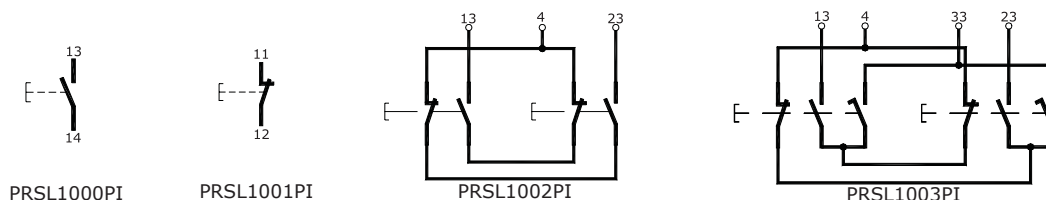
1 NO contact with 1 connecting terminal for each opposite function - 1 single terminal for both functions - electrical interlock.

The double switch PRSL1003PI (2 speeds) has:

1 NO contact with 1 connecting terminal for the first speed for each opposite function - 1 NO contact with 1 connecting terminal for the second speed for both functions - 1 single terminal for both functions - electrical interlock.

All nc contacts are of the positive opening operation type.

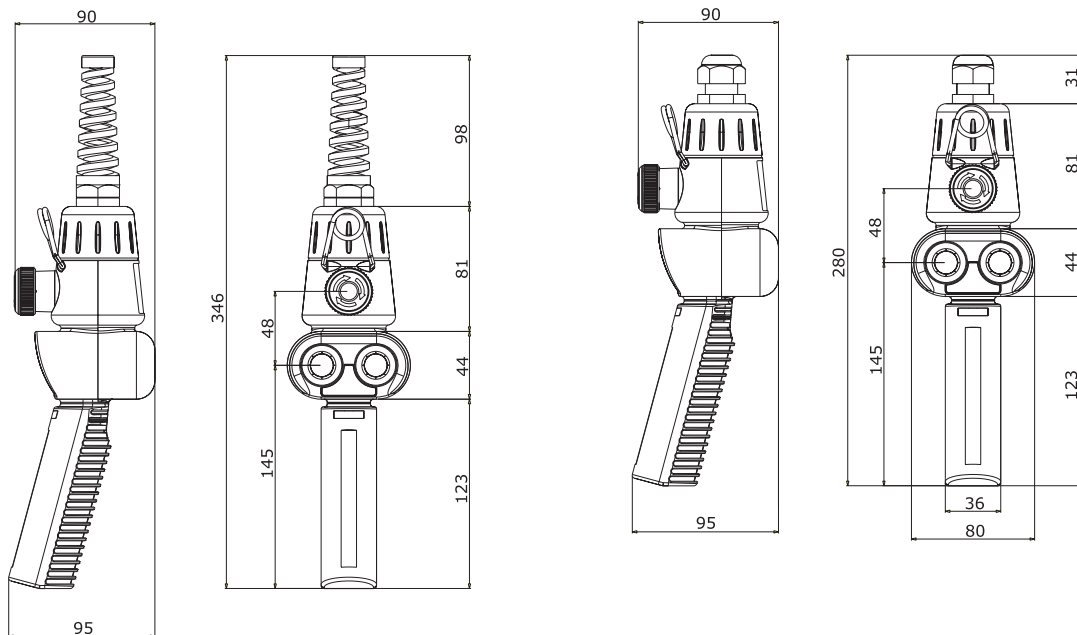
The switches have the following reference for internal wiring



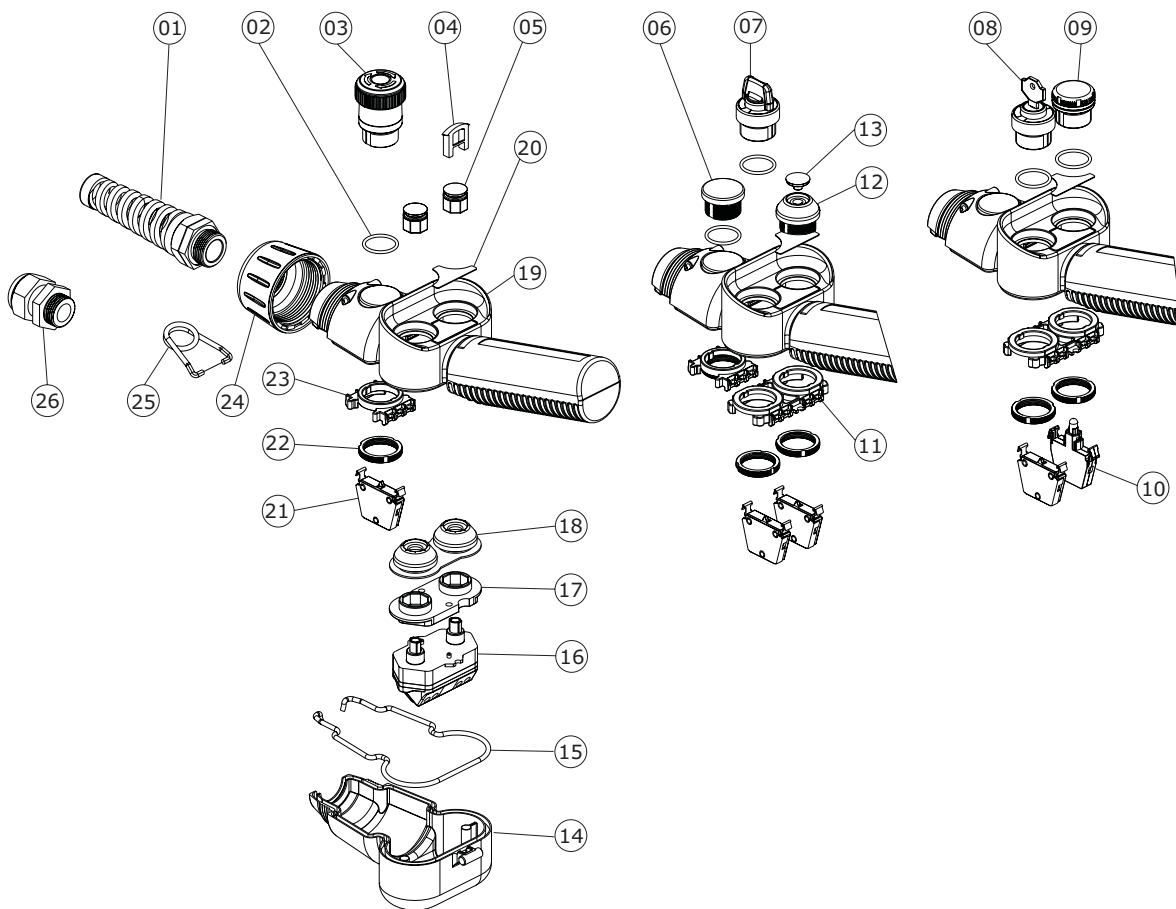
The data and the products illustrated in this brochure may be modified without notice. Under no circumstances can their description have a contractual value.



OVERALL DIMENSIONS



DETAILED DRAWING



CHARLIE PENDANT CONTROL STATION

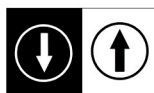


COMPONENTS

REFERENCE	CODE	DESCRIPTION
01	PRPS0025PE	Spiral cable clamp PG16
02	PRGU0056PE	O Ring
03 (+02+22)	PRSL1009PI	Emergency stop mushroom pushbutton
04	PRSL7776PI	Grip plug
05	PRSL9552PI	Button for double pushbutton
06 (+02)	PRSL1023PI	Blanking plug
07	PRSL1015PI	Spring return selector switch (on-Off)
	PRSL1016PI	Selector switch (on-off)
	PRSL1026PI	Spring return 3 position selector switch
	PRSL1027PI	3 position selector switch
08	PRSL1017PI	Key selector switch (on-off)
	PRSL1024PI	Spring return key selector switch
09	PRSL1012PI	Red pilot light
	PRSL1013PI	Yellow pilot light
	PRSL1014PI	Green pilot light
10	PRSL1004PI	Lamp holder
11	PRSL8735PI	Holding plate for 2+2 switches
12	PRSL1010PI	Single pushbutton (without button)
13	PRSL9551PI	Button for single pushbutton
14 (+15)	PRSL5518PT	Enclosure
15	PRGU0045PE	Gasket
16	PRSL1002PI	1 speed double switch
	PRSL1003PI	2 speed double switch
17	PRSL8737PI	Holding plate for rubber
18	PRGO0020PE	Rubber for double pushbutton
19	PRSL5008PI	Cover
20	PRETxxxxxx	Label
21	PRSL1000PI	1 NO switch
	PRSL1001PI	1 NC switch
22	PRSL9184PI	Ring
23	PRSL8739PI	Holding plate for 3 switches
24	PRSL5517PI	Closing ring for spiral cable clamp
	PRSL5524PI	Closing ring for cable clamp
25	PRGA0015PE	Hook
26	PRPS0064PE	Cable clamp M20

STANDARD PENDANT CONTROL STATIONS

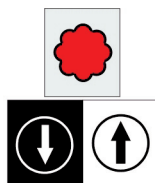
PF39020001



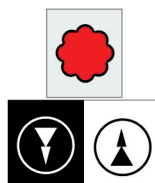
PF39020002



PF39030001



PF39030002



Legend



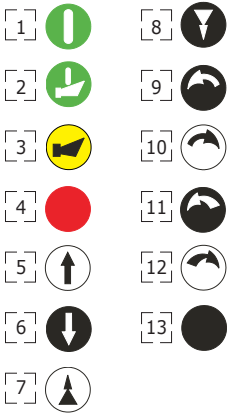
PRSL1009PI Emergency stop mushroom pushbutton

The data and the products illustrated in this brochure may be modified without notice. Under no circumstances can their description have a contractual value.



REQUEST FORM FOR NON STANDARD PENDANT STATIONS

SYMBOLS AND CONTROL ELEMENTS



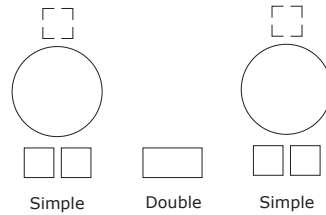
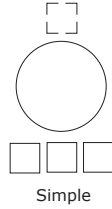
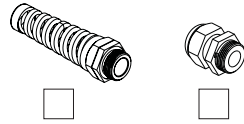
- 14 PRSL1009PI Mushroom pushbutton
- 15 PRSL1012PI Red pilot light
- 16 PRSL1013PI Yellow pilot light
- 17 PRSL1014PI Green pilot light
- 18 PRSL1015PI Spring return selector sw. (on-off)
- 19 PRSL1016PI Selector switch (on-off)
- 20 PRSL1017PI Key selector switch (on-off)
- 21 PRSL1023PI Blanking plug
- 22 PRSL1024PI Spring return key selector switch
- 23 PRSL1026PI Spring return 3 posit. selector switch
- 24 PRSL1027PI 3 position selector switch

SINGLE SWITCHES

- 1 PRSL1000PI 1 NO
- 2 PRSL1001PI 1 NC
- 3 PRSL1004PI Lamp holder

DOUBLE SWITCHES

- 1 PRSL1002PI 1 speed
- 2 PRSL1003PI 2 speeds



INSTRUCTIONS

- Write the number corresponding to the **control element** required (broken line box). When buttons are required, write the number corresponding to the **symbol** required and mark the direction of the arrow into the corresponding circle. Personalised symbols and letterings can be requested under Remarks.
- Selector switches PRSL1026PI and PRSL1027PI can be assembled only in the central position.
- Write the number corresponding to the single or double **switches**.
- Mark the appropriate box to show whether the **spiral cable clamp** or the **cable clamp PG16** is required..

REMARKS

USE AND MAINTENANCE INSTRUCTIONS

Charlie Pendant Control Station is an electromechanical device for low voltage control circuits (EN 60947-1, EN 60947-5-1) to be used as electrical equipment on machines (EN 60204-1) in compliance with the fundamental requirements of the Low Voltage Directive 2006/95/CE and of the Machine Directive 98/37/CE.

The pendant station is designed for industrial use and also for use under particularly severe climatic conditions (operational temperature from -25°C to +70°C, suitable for use in tropical environment). The equipment is not suitable for use in environments with potentially explosive atmosphere, corrosive agents or a high percentage of sodium chloride (saline fog). Oils, acids or solvents may damage the equipment.

The switches (10, 16, 21) are designed for auxiliary control of contactors or electromagnetic loads (utilisation category AC-15 according to EN 60947-5-1). Do not connect more than one phase to each switch (10, 16, 21). Do not oil or grease the control elements (03, 05, 07, 08, 12) or the switches (10, 16, 21).

The installation of the pendant station shall be carried out by an expert and trained personnel. Wiring shall be properly done according to the current instructions.

Prior to the installation and the maintenance of the pendant station, the main power of the machinery shall be turned off.

Steps for the proper installation of the pendant station

- unscrew and remove the front ring (24) and the cable clamp (26)
- open the lower cover (14)
- insert the cable into the cable clamp (26) to a length suitable for wiring the switches
- strip the cable to a length suitable for wiring the switches (10, 16, 21)
- tape the stripped part of the cable
- connect all the switches (10, 16, 21) according to the contact scheme printed on the switches (tighten the wires into the terminals with a torque equal to 0.6 Nm; insertability of wires into the switch terminals equal to $2 \times 1.5 \text{ mm}^2 - 1 \times 2.5 \text{ mm}^2$)
- screw the front ring (24) to close enclosure and lower cover (14) (check the proper positioning of the coupling pin of the lower cover (14) and of the rubber (15))
- tighten the cable clamp (26) on the cable tight enough to guarantee protection against water and/or dust.

Periodic maintenance steps

- check the proper tightening of the front ring (24)
- check the proper tightening of the cable clamp (26)
- check the proper tightening of the switch (10, 16, 21) terminal screws
- check all wiring (in particular where wires clamp into the switches)
- check the conditions of the rubber (15) fit into the lower cover (14) and of the rubber of the control elements (12, 18)
- check that the plastic enclosure (03, 05, 13) of the pendant station is not broken

In case any component of the pendant station is modified, the validity of the markings and the guarantee on the equipment are annulled. Should any component need replacement, use original spare parts only.

TER declines all responsibility for damages caused by the improper use or installation of the equipment.

The data and the products illustrated in this brochure may be modified without notice. Under no circumstances can their description have a contractual value.

