

7551 7552

ROD POSITION LIMIT SWITCH

PRODUCT DESCRIPTION


7551 and 7552 position limit switches are designed for the control of complex operating equipment. As they are control auxiliaries, they act on a power interface.

The choice of materials, technical solutions and ample size make these limit switches ideal for use in strongly aggressive environments where they are exposed to the most severe operating conditions, guaranteeing impeccable function at all times and for their entire life.



The enclosure is made of die-cast aluminum alloy and is resistant to any violent impact, chemical aggression and rust, while the bushings in sinterized material eliminate the need for any operations of routine maintenance of the header, since they are also made of impact-resistant zama.

7551 and 7552 limit switches are equipped with 4 fastening holes and 3 outputs for wire clamps to reduce installation time and facilitate wiring operations.

GENERAL TECHNICAL SPECIFICATIONS

- Conformity to Community Directives: 2006/95/CE 2006/42/CE
- Conformity to Standards: EN 60204-1 EN 60947-1 EN 60947-5-1 EN 60529
- Storage ambient temperature: -40°C/+70°C
- Operational ambient temperature: -25°C/+70°C
- Protection degree: IP 65
- Insulation category: Class I
- Cable entry: cable clamp M20
- Operation frequency: 3600 operations/hour max
- Markings and homologations: 

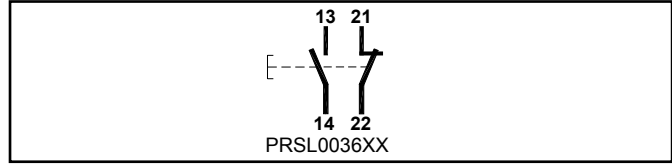
TECHNICAL SPECIFICATIONS OF THE MICROSWITCHES

- Utilisation category: AC 15
- Rated operational current: 3 A
- Rated operational voltage: 250 V
- Rated thermal current: 10 A
- Rated insulation voltage: 300 V~
- Mechanical life: 1x10⁶ operations
- Terminal referencing: according to EN 50013
- Connections: screw-type terminals
- Wires: 1x2.5 mm², 2x1.5 mm²
(UL - (c)UL: use 60°C or 75°C copper (CU) conductor and wire size N° 16-18 AWG)
- Tightening torque: 0.8 Nm
- Markings and homologations:  

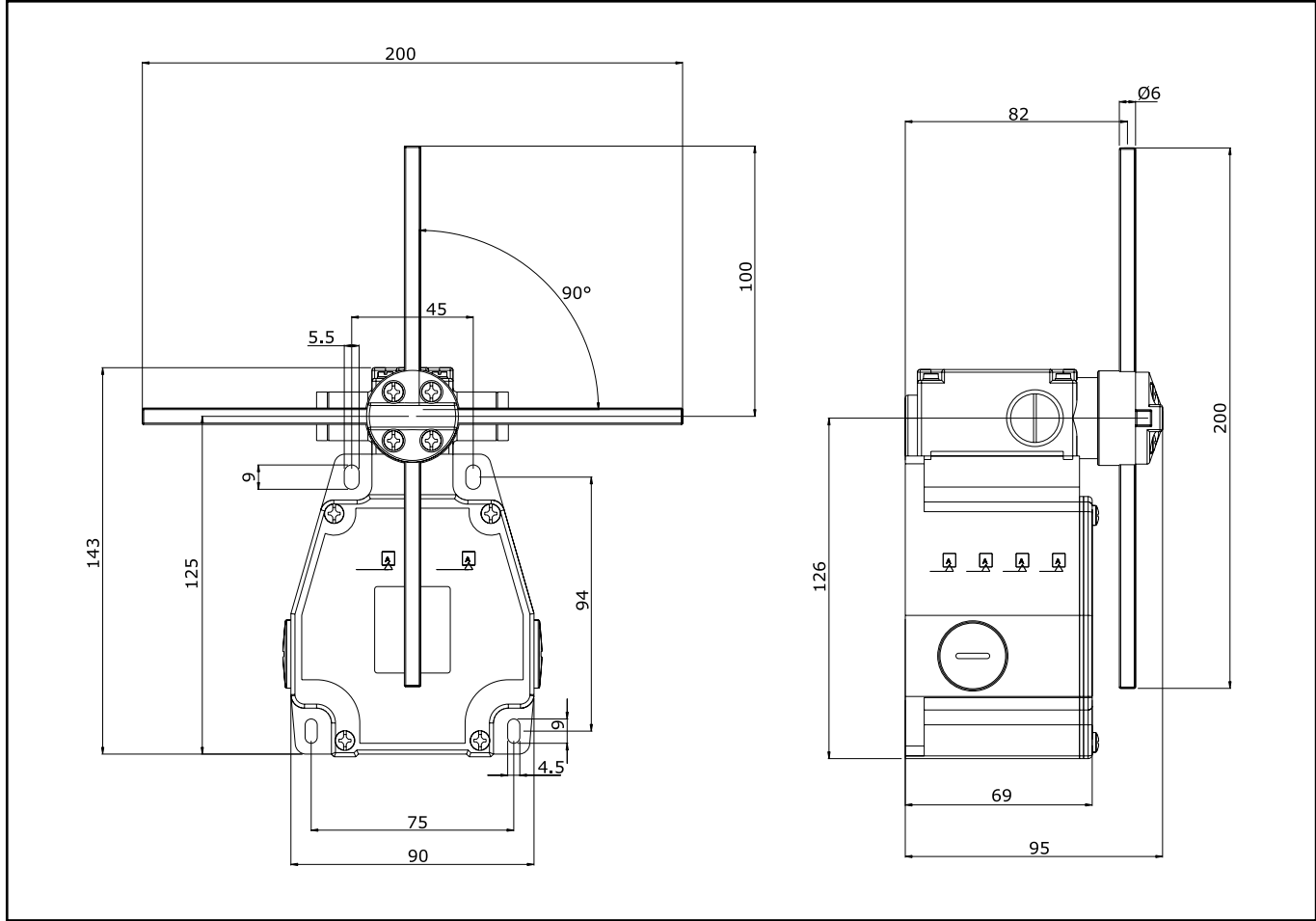
FEATURES OF THE SWITCHES

The snap action single switch PRSL0036XX has 1 NO + 1 NC change over contacts with 2 connecting terminals each. All NC contacts are of the positive opening operation type.

The switches have the following reference for internal wiring.



OVERALL DIMENSIONS



The data and the products illustrated in this brochure may be modified without notice. Under no circumstances can their description have a contractual value.

PRCA0ESB00



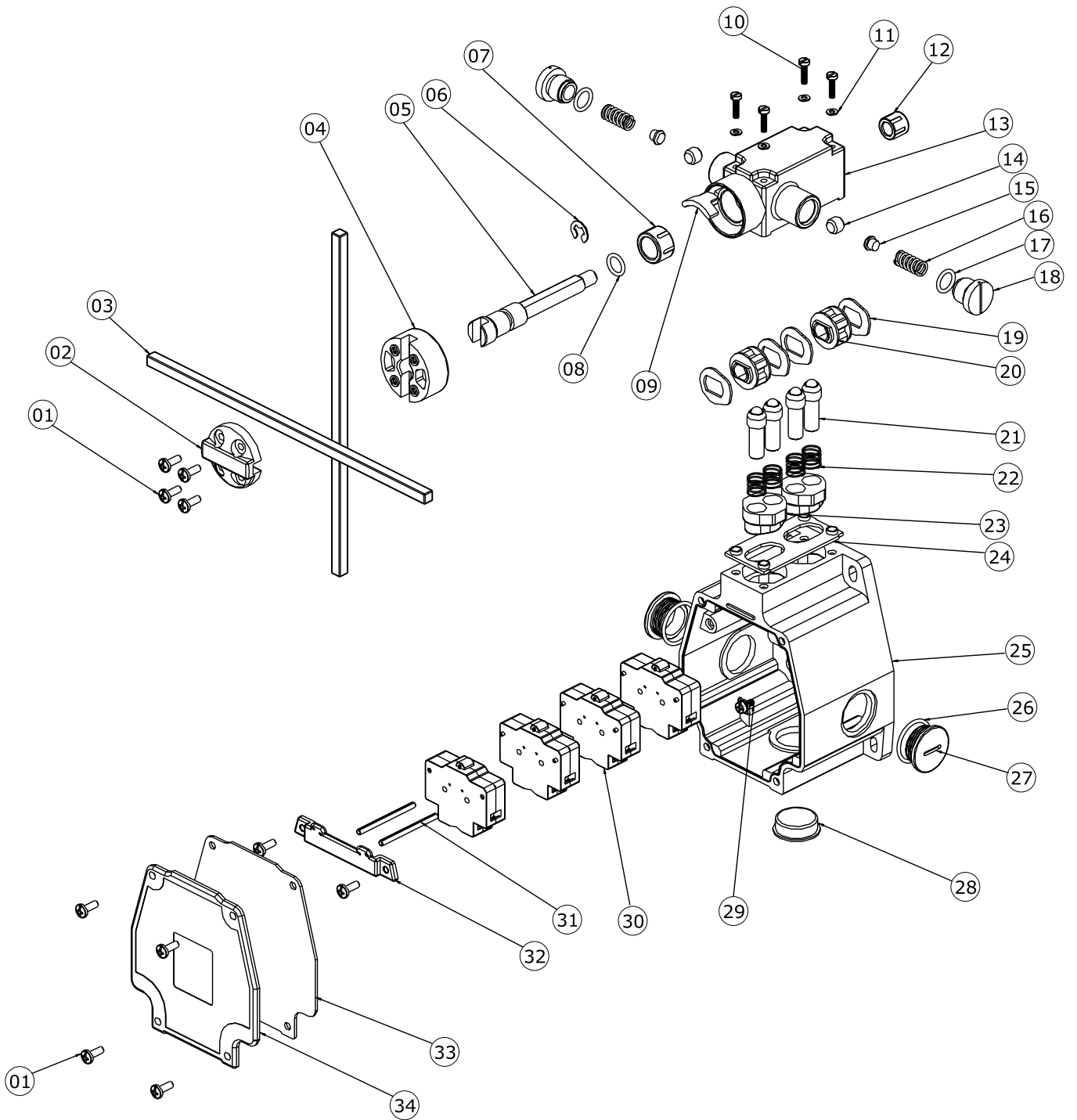
TER Tecno Elettrica Ravasi srl

Via Garibaldi 29/31 - 23885 Calco (LC) - Italy

Registered Office - via San Vigilio 2 - 23887 Olgiate Molgora (LC) - Italy

Tel. +39 0399911011 - Fax +39 0399910445 - E-mail: info@terworld.com

www.terworld.com



COMPONENTS

Reference	Code	Description
01	PRVI0176PE	Screw M4x10
02	PRFU2011PE	Cross support plate
03	PRTO3006PE	Rod 6x6x200 mm
04	PRFU2012PE	Cross support
05	PRTO2038PE	Shaft
06	PRVV999006	Elastic ring
07	PRCB1007PE	Large bush
08	PRGO980108	O-Ring
09	PRSL7640PI	Stop sector
10	PRVI0070PE	Screw M3x12
11	PRRN0011PE	Washer
12	PRCB1002PE	Small bush
13	PRFU2017PE	Head
14	PRTO812487	Trip pin
15	PRSL9625PI	Pin pushing plug
16	PRMO962719	Spring
17	PRGO989037	O-Ring
18	PRTO915515	Head plug
19	Codes on request	Cam
20	PRSL7646PI	Four point cylinder for tripping
21	PRSL7645PI	Sphere holding piston
22	PRMO915529	Spring
23	PRSL9312PI	Piston holder support
24	PR989642	Head gasket
25	PRFU2016PE	Enclosure
26	PRGO980108	O-Ring
27	PRPS0070PE	Threaded plug M20
28	PRSL000020	Plug
29	PRVI0162PE	Screw M3.5x7.5
30	PRSL0036XX	Snap action 1NO+1NC switch
31	PRVV984340	Elastic pin
32	PRSL9624PI	Bridge
33	PRGO989632	Cover gasket
34	PRFU2008PE	Cover

The data and the products illustrated in this brochure may be modified without notice. Under no circumstances can their description have a contractual value.

PRCA0EAB01

**TER Tecno Elettrica Ravasi srl**

Via Garibaldi 29/31 - 23885 Calco (LC) - Italy

Registered Office - via San Vigilio 2 - 23887 Olgiate Molgora (LC) - Italy

Tel. +39 0399911011 - Fax +39 0399910445 - E-mail: info@terworld.com

www.terworld.com

