

### 70 RT ROTARY SWITCHES

Rotary type command and control switches for continuous operation in board-mounting and watertight box execution supplied with fixing accessories enabling use as: door control, board and emergency switch access door locking switches.

Compliant with EN 60947-3 Standard.

#### TECHNICAL DATA AND COMPLIANCE WITH STANDARDS

		16 A	32 A	63 A
Current thermal rating $I_{th}$ in air	A	16	32	63
Current thermal rating $I_{the}$ in case	A	16	32	63
Nominal operating voltage $U_e$	V	500	500	500
Nominal insulating voltage $U_i$ (VIII/3)	V	690	690	690
Nominal operating current $I$ and AC-21 A	A	16	32	63
<b>NOMINAL OPERATING POWER</b>				
Usage category AC-3 A				
Caged motors: starting, stopping motor during rotation	3 x 230V kW <b>3 x 400V kW</b>	5,4 <b>9,4</b>	10,8 18,8	21,3 <b>37,1</b>
Usage category AC-23 A				
Control of motors or other highly inductive loads	3 x 230V kW <b>3 x 400V kW</b>	5,4 <b>9,4</b>	10,8 18,8	21,3 <b>37,1</b>
Nominal breaking capacity AC-23A				
$\cos\phi=0,45$	3 x 230V A <b>3 x 400V A</b>	160 <b>160</b>	320 320	630 <b>630</b>
<b>PROTECTION AGAINST SHORT-CIRCUIT</b>				
Nominal short-circuit current conditioned by fuse	kA <sub>eff</sub>	10	10	10
Maximum fuse current (gG)	A	16	32	63
Nominal brief current $I_{cw}$ (1-s-current)	A <sub>eff</sub>	500	750	1200
Terminal block screws		M3	M3	M5

Type of device		Thermo-pressure with ball (°C)	Glow wire Test (°C)	Resistance to surface currents (V)	Terminal clamping capacity (mm <sup>2</sup> )				Impact resistance of case at ambient temperature (IK code)
no. poles	In (A)				rigid cables		flexible cables		
					max	min	max	min	
2 - 3 - 4	16	125 (device) 80 (case)	850 (device) 650 (case)	175 (50 drops)	4	1,5	2,5	1,5	IK 08
2 - 3 - 4	32				10	1,5	6	1,5	
3 - 4	63				25	2,5	16	1,5	

#### BEHAVIOUR WITH CHEMICAL AND ATMOSPHERIC AGENTS

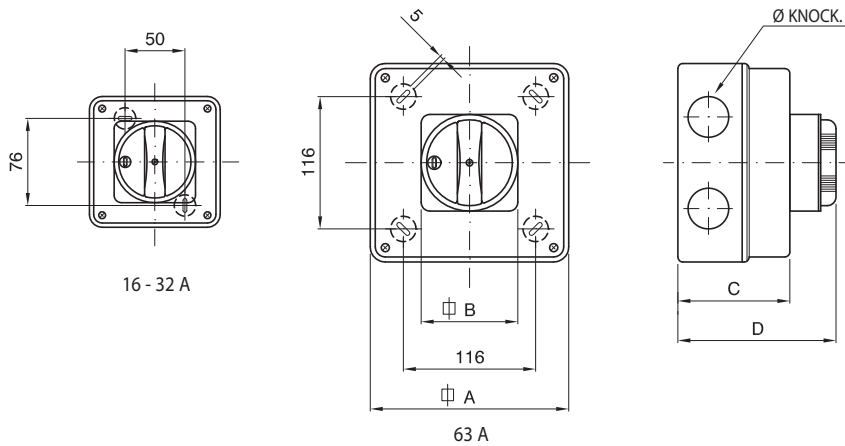
Agent	Saline solution	Acids		Bases		Solvents				Mineral oil	UV rays
		Concentrated	Diluted	Concentrated	Diluted	Hexane	Benzol	Acetone	Ethyl alcohol		
Resistance	Resistant	Not resistant	Limited resistance	Not resistant	Limited resistance	Limited resistance	Not resistant	Not resistant	Not resistant	Limited resistance	Limited resistance

#### APPLICATIONS AND USAGE CATEGORIES

Sector	Environment	Typical system	Function	Typical usage category	Recommended IP degree
Residential and similar	Technical rooms	Heating system	Motor control	AC 23 B	IP 65
			Light control	AC 21 A	
	General services board	Building technological services control	AC 22 B	IP 20	
	Gardens and open spaces	Lighting	Light control	AC 21 A	IP 65
Commercial (as well as cases for the residential sector)	Warehouses	Lighting Maintenance and handling machines	Light control	AC 21 A	IP 65
			Motor control	AC 23 A	
			Emergency switch	AC 23 A	
	Public meeting and entertainment places Shops - bars showrooms	Lighting Signs Audiovisuals	Light control Curtain control Emergency stop	AC 23 B	IP 65
		Distribution board	Technical services controls	AC 22 B	IP 20
Industry	Warehouse	Bridge crane	Emergency control	AC 23 B	IP 65
		Machine control board	Motor control	AC 23 B	IP 65

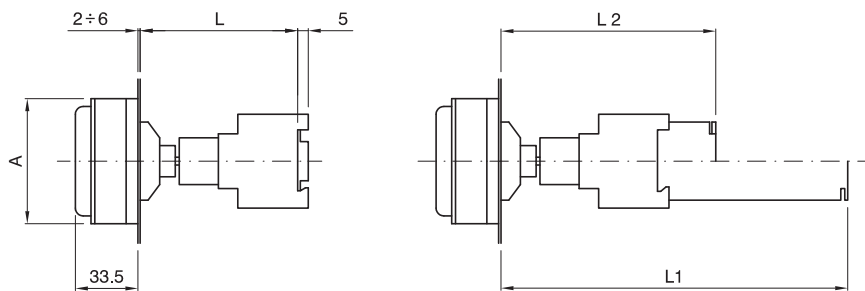
### DIMENSION TABLES

#### IP 65 SURFACE-MOUNTING ROTARY SWITCHES



TYPE	□A	□B	C	D	Ø KNOCK.
16 - 32 A	114	70	71,5	100	23
63 A	170	82	96	124,5	37,5

#### BOARD-MOUNTING ROTARY SWITCHES: DOOR-LOCKING VERSION

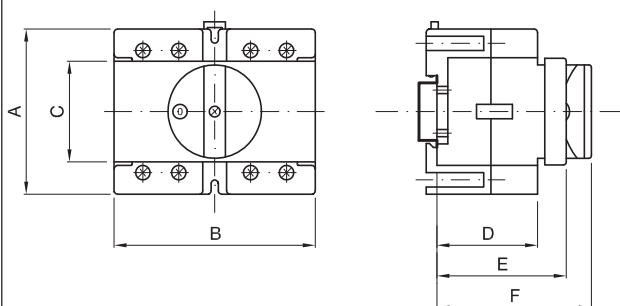


\* Size obtainable by cutting the rod supplied.

\*\* Size obtainable by cutting both the rod supplied and the brackets at the places indicated.

SWITCH	WITHOUT BRACKETS		WITH BRACKETS		A
	Supplied with L	Adjustable up to L*	L1 max. length obt.	L2 min. length obt.**	
16 A	145	87	(145+160)305	(87+30) 117	□70
32 A	145	87	(145+160)305	(87+30) 117	□70
63 A	177	114	(117+160)337	(114+30) 144	□82

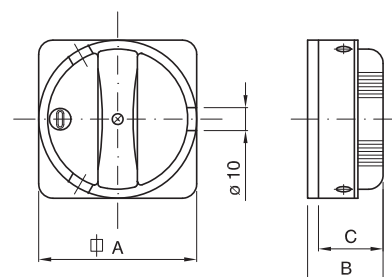
#### BOARD-MOUNTING ROTARY SWITCH: VERSION FOR ASSEMBLY ON EN 50022 RAIL



TYPE	A	B	C	D	E	F
16 A	52	53 *	45	35	53	68
32A	55	71 ●	45	37	53	68
63 A	73	89 ▲	45	44	56	68

- ★ Occupies 3 modules (17.5 mm).
- Occupies 4 modules (17.5 mm).
- ▲ Occupies 5 modules (17.5 mm).

#### PADLOCKABLE RED KNOB WITH YELLOW FLANGE FOR EMERGENCY



TYPE	□A	B	C
16 - 32 A	70	33,5	28,5
63 A	82	33,5	28,5