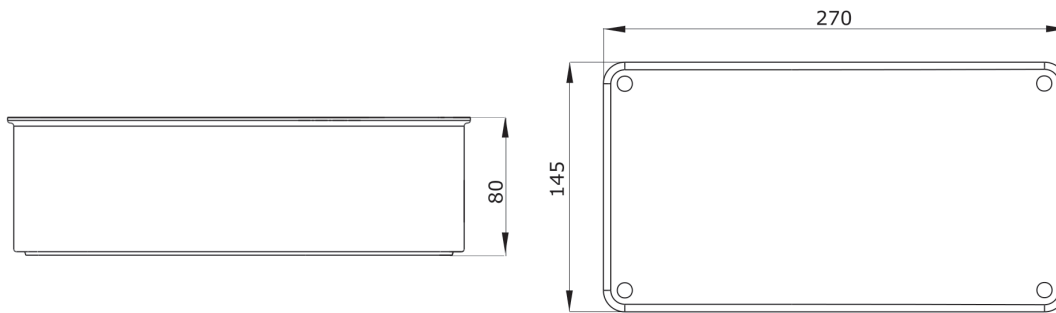
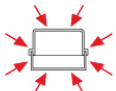


IP degree	IP67	Shock resistance	IK08
Houseable interloc. socket	1	Houseable IB socket-outlets	63 A
Top entries	2xØ 29/37	Bottom entries	1xØ 37/47
Glow Wire Test	650 °C	For socket-outlets	Vertical fixed 63A SBF
Electrocod	2221		

DIMENSIONAL



TECHNICAL SYMBOLOGY



IP67



IK08



650 °C

STANDARDS/APPROVALS



GEWISS S.p.A. Via A. Volta, 1
24069 Cenate Sotto - Bergamo - Italy
tel. +39 035 94 61 11 fax +39 035 94 69 09

www.gewiss.com
sat@gewiss.com
Last update 22/05/2018

Data, measures, designs and pictures are shown only as
informativ purposes,
and could be changed without previous notice