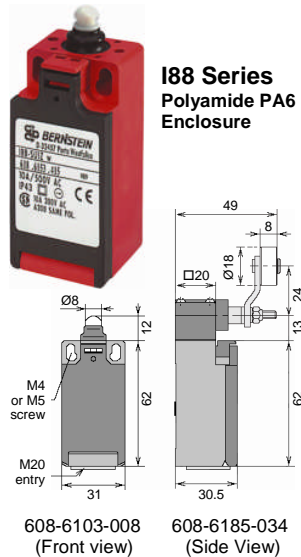
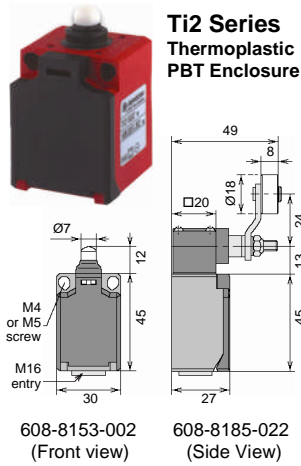


Plastic Bodied Limit Switches
Complete Switch Supplied as One Piece



Actuator Head	DESCRIPTION	Contact Block	Sealing Sleeve	PART NUMBER	Replaces
Ti2 Series – 250V 10A (max)					
Mounting Measurements to DIN EN 50047 – IP65					
	TOP PUSH – STND PLUNGER TYPE Nylon Plunger Ø7mm	SU1 Z	Outer	608-8153-002	608-4153-502
	TOP PUSH – ROLLER PLUNGER TYPE Nylon Roller Ø10x 3.3mm	U1 Z	Inner	608-8117-007	608-4117-503
	TOP PUSH – ROLLER LEVER TYPE Nylon Roller Ø13.5x4.7mm	SU1 Z	Inner	608-8167-008	608-4167-504
	TOP PUSH – ROLLER LEVER TYPE Nylon Roller Ø13.5x4.7mm	SU1 Z	Outer	608-8171-016	608-4171-506
	SIDE ROTARY – TURRET HEAD with Fixed Arm 24mm, Roller Ø18x8mm	SU1 Z	Inner	608-8185-022	608-4185-518
	SIDE ROTARY – TURRET HEAD with Adj Rod Ø3x150mm Long	SU1	Inner	608-8187-028	-
I88 Series – 500V 10A (max)					
Euronorm Standard Switch to DIN EN 50047 – IP65					
	TOP PUSH – STND PLUNGER TYPE Nylon Plunger Ø8mm	U1 Z	Outer	608-6103-008	-
	TOP PUSH – TURRET HEAD with Small Roller Plunger Ø10x3mm	SU1 Z	Inner	608-6167-018	-
	TOP PUSH – TURRET HEAD with Large Roller Plunger Ø14x3mm	SU1 Z	Inner	608-6167-051	-
	TOP PUSH – ROLLER LEVER TYPE Nylon Roller Ø11x5.5mm	SU1 Z	Outer	608-6171-022	-
	SIDE ROTARY – TURRET HEAD with Fixed Arm 24mm, Roller Ø18x8mm	SU1 Z	Inner	608-6185-034	-
	SIDE ROTARY – TURRET HEAD with Adj Arm 19.5–55mm, Roller Ø25x8mm	U1	Inner	608-6136-037	-
ENK Series – 500V 10A (max)					
Euronorm Standard Switch to DIN EN 50041 – IP65					
	TOP PUSH – STND PLUNGER TYPE Metal Plunger Ø10mm	SU1 Z	Inner	608-1152-007	-
	TOP PUSH – ROLLER PLUNGER TYPE Metal Roller Ø18x4mm	SU1 Z	Inner	608-1167-008	-
	TOP PUSH – ROLLER LEVER TYPE Nylon Roller Ø20x11mm	SU1 Z	Outer	608-1171-096	-
	SIDE ROTARY – TURRET HEAD with Fixed Arm 30.5mm, Roller Ø18x8mm	SU1 Z	Inner	608-1185-009	-
	SIDE ROTARY – TURRET HEAD with Adj Arm 27–81mm, Roller Ø25x8mm	SU1	Inner	608-1186-018	-
	SIDE ROTARY – TURRET HEAD with Adj Rod Ø6x200mm Long	SU1 Z	Inner	608-1187-017	-
	TOP ACTUATE – WOBBLE STICK Spring Rod & Nylon Tip, 133mm Long	SU1	Outer	608-1190-045	-

Notes: - Contacts: SU1: 1NC/1NO – Snap action changeover
U1: 1NC/1NO – Slow action changeover (break before make)
Z: Positive Disconnect of NC contact
- Other actuators, contact blocks and EEx versions available in the ENK Series on request.
- Other series switches available on request are the C2 and Biggy Series (shown below):

C2 Series
For confined spaces
34H x 26W x 21D mm

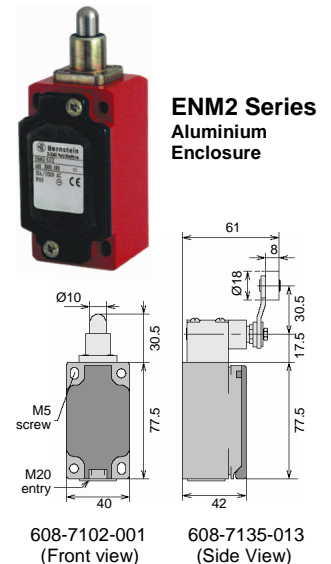
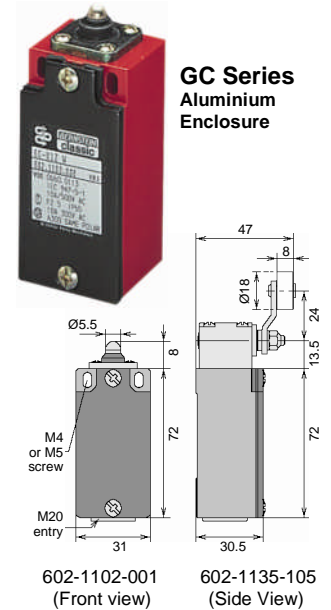


Biggy Series
2 lateral cable entries
50H x 59W x 32D mm



Metal Bodied Limit Switches
Complete Switch Supplied as One Piece

Actuator Head	DESCRIPTION	Contact Block	Sealing Sleeve	PART NUMBER	Replaces
GC Series – 500V 10A (max) Terminals Numbered in Accordance with DIN EN 50013 – IP65					
	TOP PUSH – STND PLUNGER TYPE Metal Plunger Ø5.5mm	U1 Z	Inner	602-1102-001	-
		U1 Z	Outer	602-1103-008	-
	TOP PUSH – ADJ PLUNGER TYPE Metal Plunger Ø5mm	U1 Z	Inner	602-1105-015	-
	TOP PUSH – BALL-PLUNGER TYPE Metal Ball Ø12mm	SU1 Z	Inner	602-1160-052	-
	TOP PUSH – ROLLER PLUNGER TYPE Metal Roller Ø14x3.3mm	U1 Z	Inner	602-1117-029	-
	TOP PUSH – ROLLER LEVEL TYPE Nylon Roller Ø13x7.3mm	U1 Z	Outer	602-1121-067	-
		SU1 Z	Inner	602-1370-629	-
	TOP PUSH – ROLLER LEVEL TYPE Long Lever, Roller Ø13x7.3mm	U1 Z	Inner	602-1123-085	-
		SU1 Z	Outer	602-1374-632	602-1174-094
	TOP PUSH – ROLLER LEVEL TYPE Angled Lever, Roller Ø13x7.3mm	SU1	Inner	602-1176-073	-
	SIDE ROTARY – TURRET HEAD with Fixed Arm 24mm, Roller Ø18x8mm	U1 Z	Inner	602-1135-102	-
	SIDE ROTARY – TURRET HEAD with Adj Arm 27~81.5mm, Roller Ø25x8mm	U1	Inner	602-1136-104	-
	SIDE ROTARY – TURRET HEAD with Adj Rod Ø6x200mm Long	U1	Inner	602-1137-103	-
	SIDE ROTARY – TURRET HEAD with Wobble Stick 144mm Long	U1	Inner	602-1139-106	-
	TOP ACTUATE – WOBBLE STICK Spring Rod & Nylon Tip, 133mm Long	U1	Outer	602-1140-476	-
ENM2 Series – 400V 10A (max) Standard Switch According to DIN EN 50041 – IP65					
	TOP PUSH – STND PLUNGER TYPE Metal Plunger Ø10mm	U1 Z	Inner	608-7102-001	608-2102-001
		SU1 Z	Inner	608-7352-002	608-2152-003 608-2352-004
	TOP PUSH – ROLLER PLUNGER TYPE Metal Roller Ø18x4mm	SU1 Z	Inner	608-7367-005	608-2167-007 608-2367-008
	TOP PUSH – ROLLER LEVER TYPE Adj Lever Left, Roller Ø20x8mm	SU1 Z	Outer	608-7371-008	608-2151-212
	TOP PUSH – ROLLER LEVER TYPE Adj Lever Right, Roller Ø20x8mm	SU1 Z	Outer	608-7377-011	608-2177-214
	SIDE ROTARY – TURRET HEAD with Fixed Arm 30.5mm, Roller Ø18x8mm	U1 Z	Inner	608-7135-013	608-2135-009
		SU1 Z	Inner	608-7385-014	608-2185-011 608-2385-012
	SIDE ROTARY – TURRET HEAD with Adj Arm 27~81.5mm, Roller Ø25x8mm	U1	Inner	608-7136-016	608-2136-025
		SU1	Inner	608-7386-017	608-2186-027
	SIDE ROTARY – TURRET HEAD with Adj Rod Ø6x200mm Long	U1	Inner	608-7137-018	608-2137-021
		SU1 Z	Inner	608-7387-019	608-2187-023



Notes: - Contacts: SU1: 1NC/1NO – Snap action changeover
U1: 1NC/1NO – Slow action changeover (break before make)
Z: Positive Disconnect of NC contact
- Other actuators, contact blocks and EEx versions available in the ENK Series on request.
- Other series switches available on request are the D and SN2 Series (shown below):

