



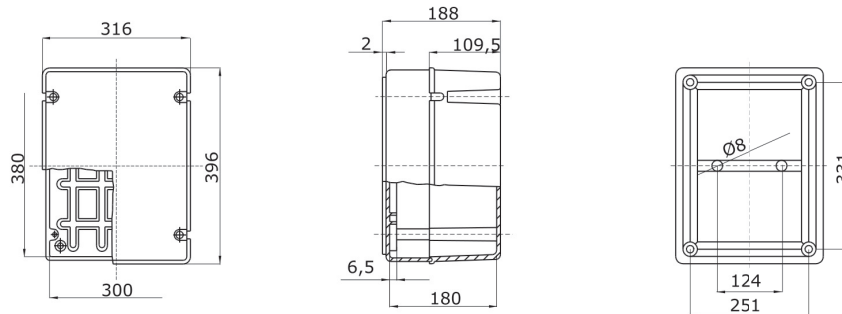
Range 44 CE - Surface-mounting watertight junction boxes in compliance with EN 60670-1 (CEI 23-48) and IEC 60670-22 (CEI 23-94) and made in high-performance technopolymers. The range includes versions with protection degree IP44, IP55, IP56 with smooth walls or with quick entry cable glands and different type of covers: blind / transparent, deep/plain, press-on/screw (in plastic, also 1/4 turn, or in metal). Available in different self-extinguishing materials (up to GWT 960 °C). Suitable for ordinary junctions, for special uses, and for industrial uses.

<b>Insulation class</b>	II (according to IEC 61140 standards)	<b>Colour</b>	Grey RAL 7035
<b>IP degree</b>	IP56	<b>Material</b>	Technopolymer GWPLAST 75
<b>Shock resistance</b>	IK08	<b>Internal dim. LxHxD (mm)</b>	380x300x180
<b>Max Ø holes possible</b>	48 mm	<b>Lid screws (no. and type)</b>	4 insul. sealable hinged
<b>Application</b>	Ordinary junctions	<b>Glow Wire Test</b>	650 °C
<b>Lid</b>	Deep screwed	<b>Operating temperature</b>	-25 +60 °C
<b>Type of material</b>	Halogen-free in compliance with EN 60754-2	<b>Electrocod</b>	02211
<b>Thermo-pressure with ball</b>	85 °C	<b>Torque screws tightening</b>	1,8
<b>Walls</b>	Smooth	<b>Accessories for insulation restoring</b>	GW44621, GW44623

#### BEHAVIOUR WITH CHEMICAL AND ATMOSPHERIC AGENTS

Saline solution	Acids		Bases		Solvents				Mineral oil	UV rays
	Concentrated	Diluted	Concentrated	Diluted	Hexane	Benzol	Acetone	Alcohol		
Resistant	Limited resistance	Resistant	Resistant	Resistant	Limited resistance	Not resistant	Not resistant	Limited resistance	Limited resistance	Limited resistance

#### DIMENSIONAL



#### TECHNICAL SYMBOLOGY



#### STANDARDS/APPROVALS

