

Part number

# MK IAP20



Angled Bulkhead mounting housing, CK series, with 1 lever, M20 cable entry, size "21.21"

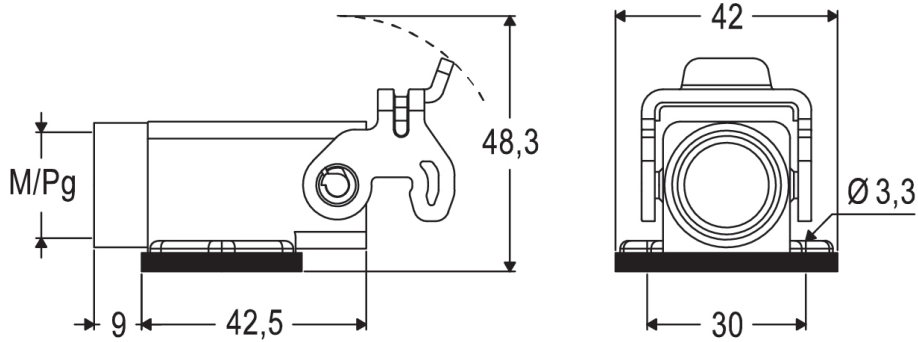
Product description		Material properties	
<b>Product type</b>	Angled bulkhead mounting housing	<b>Other materials</b>	Lever: Polyamide (PA) Gasket: TPE
<b>Series</b>	CK	<b>Colour</b>	RAL 7035 grey
<b>Closing type</b>	With 1 lever	<b>RoHs conformity</b>	Compliant
<b>Size</b>	Size 21.21	<b>China RoHs - EFUP</b>	E
<b>Cable entry</b>	With cable entry M20	<b>REACH SVHC substances</b>	No
<b>Specification</b>	White colour	<b>Approvals / Standards</b>	
<b>Technical data</b>		<b>UL</b>	ECBT2
<b>IP degree of protection</b>	IP44 - IP66 / IP67 / IP69 with CKR 65	<b>cUL</b>	ECBT8
<b>Further technical details</b>		<b>General ordering information</b>	
<b>Weight</b>	14,00 g	<b>EAN13 code</b>	8015747056472
<b>Operating temperature range (min, max)</b>	-40°C...+125°C	<b>eCl@ss 8.1</b>	27440202
		<b>ETIM 7.0</b>	EC000437
		<b>Packaging Information</b>	
		<b>Packaging length</b>	360,00 mm
		<b>Packaging height</b>	165,00 mm
		<b>Packaging width</b>	315,00 mm
		<b>Packaging weight</b>	1,48 kg
		<b>Packaging volume</b>	18,71 dm <sup>3</sup>
		<b>Packaging description</b>	Carton box
		<b>Packaging quantity</b>	100 Pcs
		<b>Packaging EAN code</b>	8015747056489
		<b>Sub-packaging weight</b>	0,15 kg
		<b>Sub-packaging description</b>	Carton box
		<b>Sub-packaging quantity</b>	10 Pcs
		<b>Sub-packaging EAN barcode</b>	8015747056496

Part number

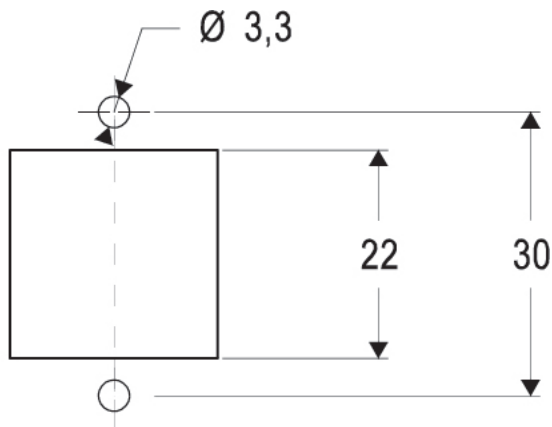
# MK IAP20



Catalogue drawings



Catalogue drawings



## Notes

Dimensions shown in mm are not binding and may be changed without notice.