

Part number

MKAX VG20



Hood, CKA series, with 1 lever, M20 top cable entry, size "21.21"

Product description		Material properties	
Product type	Hood	Main material	Zinc die-cast
Series	CKA	Other materials	Lever: Stainless steel
Closing type	With 1 lever	Colour	RAL 7040 grey
Size	Size 21.21	RoHs conformity	Compliant
Cable entry	Top cable entry M20	China RoHs - EFUP	E
Technical data		REACH SVHC substances	No
IP degree of protection	IP44 - IP66 / IP67 / IP69 with CKR 65	Approvals / Standards	
Further technical details		UL	ECBT2
Weight	65,40 g	cUL	ECBT8
Operating temperature range (min, max)	-40°C...+125°C	General ordering information	
		EAN13 code	8015747056939
		eCl@ss 8.1	27440202
		ETIM 7.0	EC000437
		Packaging Information	
		Packaging length	330,00 mm
		Packaging height	230,00 mm
		Packaging width	205,00 mm
		Packaging weight	6,98 kg
		Packaging volume	15,56 dm ³
		Packaging description	Carton box
		Packaging quantity	100 Pcs
		Packaging EAN code	8015747104869
		Sub-packaging length	185,00 mm
		Sub-packaging height	40,00 mm
		Sub-packaging width	155,00 mm
		Sub-packaging weight	0,70 kg
		Sub-packaging volume	1,15 dm ³
		Sub-packaging description	Carton box
		Sub-packaging quantity	10 Pcs
		Sub-packaging EAN barcode	8015747056946

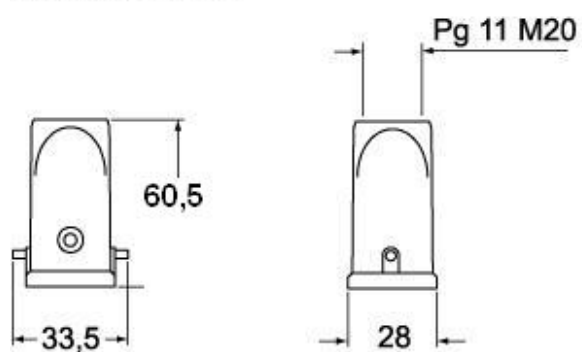
Part number

MKAX VG20

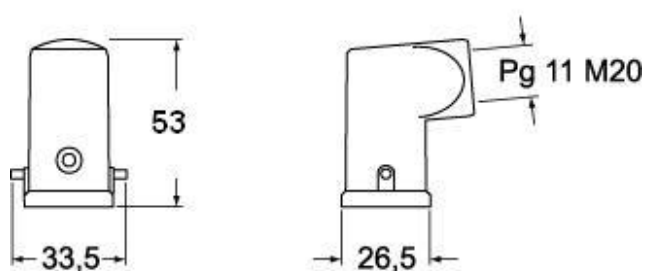


Catalogue drawings

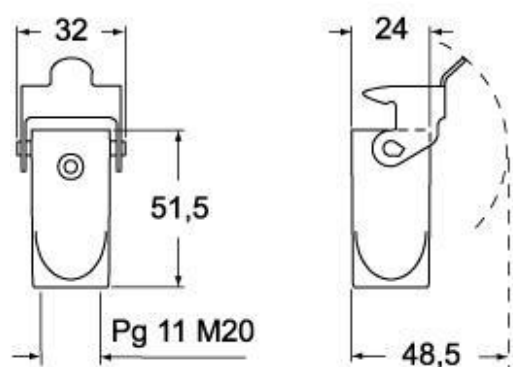
CKA VS - MKA V



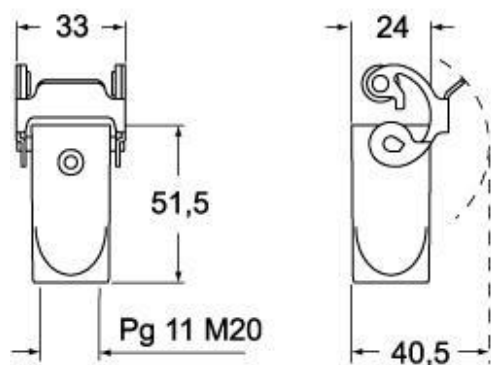
CKA VAS - MKA VA



CKA VAS - MKA VA



CKAX VGS - MKAX VG



Notes

Dimensions shown in mm are not binding and may be changed without notice.
