

Part number

MKAX IAP20



Angled Bulkhead mounting housing, CKA series, with 1 lever, M20 cable entry, size "21.21"

Product description	
Product type	Angled bulkhead mounting housing
Series	CKA
Closing type	With 1 lever
Size	Size 21.21
Cable entry	With cable entry M20
Technical data	
IP degree of protection	IP44 - IP66 / IP67 / IP69 with CKR 65
Further technical details	
Weight	68,00 g
Operating temperature range (min, max)	-40°C...+125°C

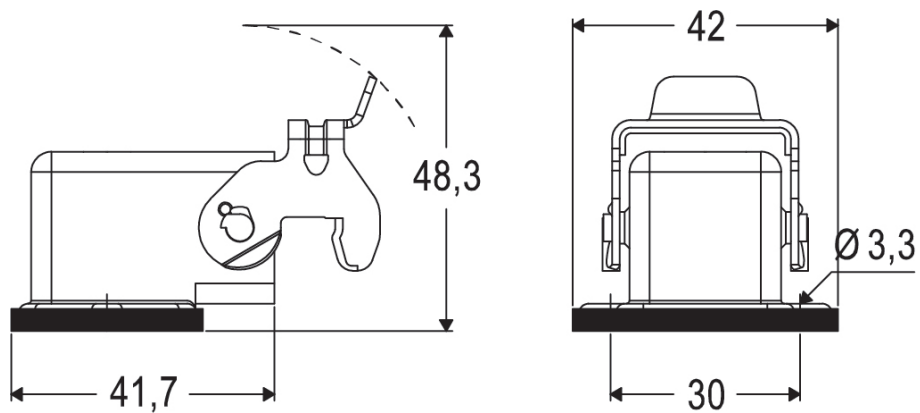
Material properties	
Main material	Zinc die-cast
Other materials	Lever: Stainless steel Gasket: TPE
Colour	RAL 7040 grey
RoHs conformity	Compliant
China RoHs - EFUP	E
REACH SVHC substances	No
Approvals / Standards	
UL	ECBT2
cUL	ECBT8
General ordering information	
EAN13 code	8015747056908
eCl@ss 8.1	27440202
ETIM 7.0	EC000437
Packaging Information	
Sub-packaging length	210,00 mm
Sub-packaging height	40,00 mm
Sub-packaging width	175,00 mm
Sub-packaging weight	0,68 kg
Sub-packaging volume	1,47 dm ³
Sub-packaging description	Carton box
Sub-packaging quantity	10 Pcs
Sub-packaging EAN barcode	8015747056915

Part number

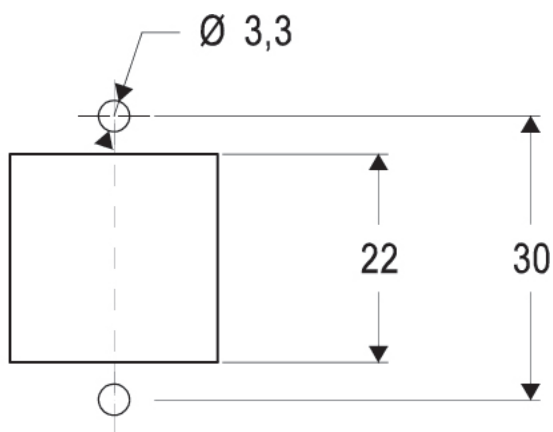
MKAX IAP20



Catalogue drawings



Catalogue drawings



Notes

Dimensions shown in mm are not binding and may be changed without notice.