

Part number

MHP 10 L20



Surface mounting housing, C-TYPE series, with 1 lever, M20 cable entry, size "57.27"

Product description

Product type	Surface mounting housing
Series	C-TYPE
Closing type	With 1 lever
Size	Size 57.27
Cable entry	With cable entry M20

Technical data

IP degree of protection IP65 / IP66 / IP69

Further technical details

Weight	236,00 g
Operating temperature range (min, max)	-40°C...+125°C

Material properties

Other materials	Lever: Stainless steel, polyamide (PA) Gasket: NBR
Colour	RAL 7040 grey
RoHs conformity	Compliant
China RoHs - EFUP	E
REACH SVHC substances	No

Approvals / Standards

Certifications	CQC, DNV, BV
UL	ECBT2
cUL	ECBT8

General ordering information

EAN13 code	8015747054225
eCl@ss 8.1	27440202
ETIM 7.0	EC000437

Packaging Information

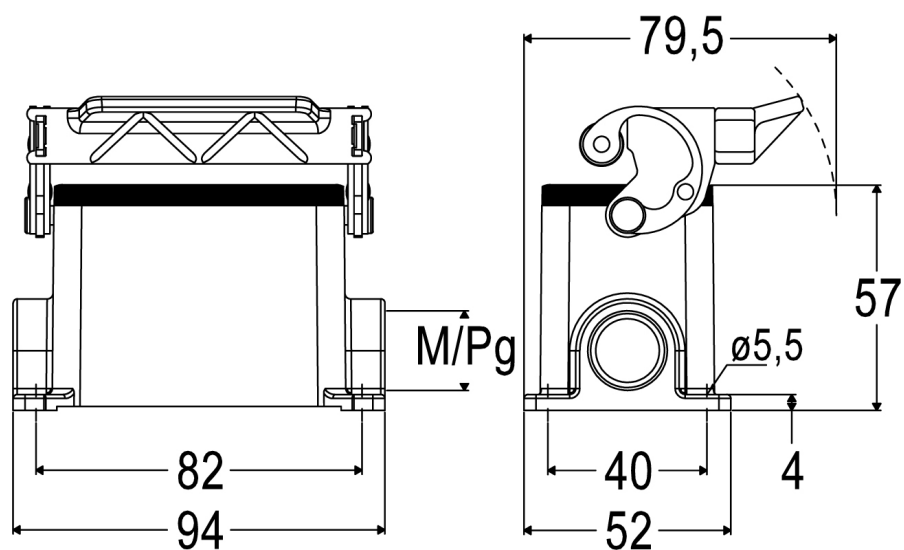
Packaging length	475,00 mm
Packaging height	170,00 mm
Packaging width	150,00 mm
Packaging weight	2,73 kg
Packaging volume	12,11 dm ³
Packaging description	Carton box
Packaging quantity	10 Pcs
Packaging EAN code	8015747054232
Sub-packaging weight	1,37 kg
Sub-packaging description	Plastic packaging
Sub-packaging quantity	5 Pcs
Sub-packaging EAN barcode	8015747054249

Part number

MHP 10 L20



Catalogue drawings



Notes

Dimensions shown in mm are not binding and may be changed without notice.