

Part number

MAO 10 L32



Hood, C-TYPE series, with 2 pegs, M32 side cable entry, size "57.27", high construction

Product description

| | |
|----------------------|-------------------------|
| Product type | Hood |
| Series | C-TYPE |
| Closing type | With 2 pegs |
| Size | Size 57.27 |
| Cable entry | Side cable entry M32 |
| Specification | High construction |

Technical data

IP degree of protection IP65 / IP66 / IP69

Further technical details

| | |
|---|----------------|
| Weight | 167,60 g |
| Operating temperature range (min, max) | -40°C...+125°C |

Material properties

| | |
|------------------------------|---------------|
| Colour | RAL 7040 grey |
| RoHs conformity | Compliant |
| China RoHs - EFUP | E |
| REACH SVHC substances | No |

Approvals / Standards

| | |
|-----------------------|--------------|
| Certifications | CQC, DNV, BV |
| UL | ECBT2 |
| cUL | ECBT8 |

General ordering information

| | |
|-------------------|---------------|
| EAN13 code | 8015747050333 |
| eCl@ss 8.1 | 27440202 |
| ETIM 7.0 | EC000437 |

Packaging Information

| | |
|----------------------------------|----------------------|
| Packaging length | 225,00 mm |
| Packaging height | 130,00 mm |
| Packaging width | 150,00 mm |
| Packaging weight | 1,80 kg |
| Packaging volume | 4,39 dm ³ |
| Packaging description | Carton box |
| Packaging quantity | 10 Pcs |
| Packaging EAN code | 8015747214971 |
| Sub-packaging weight | 0,90 kg |
| Sub-packaging description | Plastic packaging |
| Sub-packaging quantity | 5 Pcs |
| Sub-packaging EAN barcode | 8015747050340 |

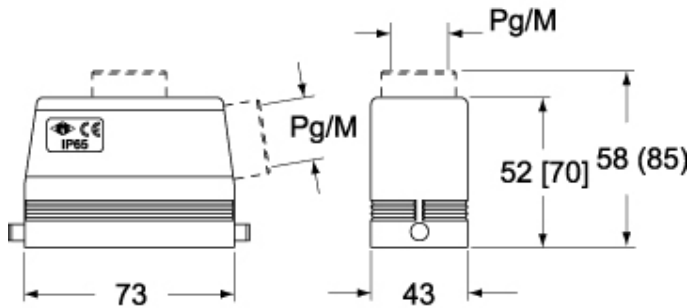
Part number

MAO 10 L32

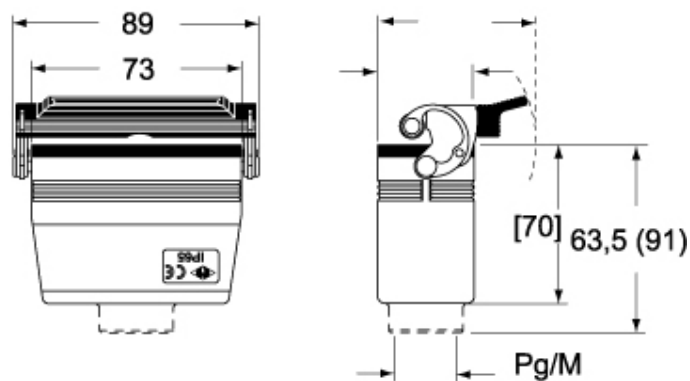


Catalogue drawings

CHO L (CAO) MHO L [MAO L]
CHV L [CAV L] MHV L (MAV L)



CHV L (CAV LG), MHV LG (MAV LG) [MFV LG]



Notes

Dimensions shown in mm are not binding and may be changed without notice.