

Part number

MAV 10 L32



Hood, C-TYPE series, with 2 pegs, M32 top cable entry, size "57.27", high construction

Product description

Product type	Hood
Series	C-TYPE
Closing type	With 2 pegs
Size	Size 57.27
Cable entry	Top cable entry M32
Specification	High construction

Technical data

IP degree of protection IP65 / IP66 / IP69

Further technical details

Weight	177,00 g
Operating temperature range (min, max)	-40°C...+125°C

Material properties

Colour	RAL 7040 grey
RoHs conformity	Compliant
China RoHs - EFUP	E
REACH SVHC substances	No

Approvals / Standards

Certifications	CQC, DNV, BV
UL	ECBT2
cUL	ECBT8

General ordering information

EAN13 code	8015747052214
eCl@ss 8.1	27440202
ETIM 7.0	EC000437

Packaging Information

Packaging length	220,00 mm
Packaging height	130,00 mm
Packaging width	240,00 mm
Packaging weight	1,79 kg
Packaging volume	6,86 dm ³
Packaging description	Carton box
Packaging quantity	10 Pcs
Packaging EAN code	8015747279383
Sub-packaging weight	0,90 kg
Sub-packaging description	Plastic packaging
Sub-packaging quantity	5 Pcs
Sub-packaging EAN barcode	8015747052221

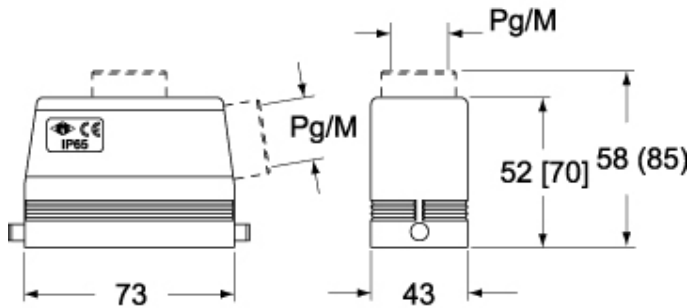
Part number

MAV 10 L32

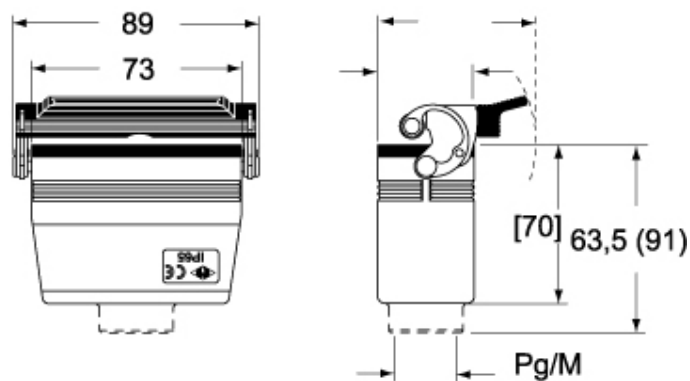


Catalogue drawings

CHO L (CAO) MHO L [MAO L]
CHV L [CAV L] MHV L (MAV L)



CHV L (CAV LG), MHV LG (MAV LG) [MFV LG]



Notes

Dimensions shown in mm are not binding and may be changed without notice.