

Part number  
**MK V20**



Hood, CK series, with 2 pegs, M20 top cable entry, size "21.21", white colour

**Product description**

<b>Product type</b>	Hood
<b>Series</b>	CK
<b>Closing type</b>	With 2 pegs
<b>Size</b>	Size 21.21
<b>Cable entry</b>	Top cable entry M20
<b>Specification</b>	White colour

**Technical data**

<b>IP degree of protection</b>	IP44 - IP66 / IP67 / IP69 with CKR 65
--------------------------------	---------------------------------------

**Further technical details**

<b>Weight</b>	10,50 g
<b>Operating temperature range (min, max)</b>	-40°C...+125°C

**Material properties**

<b>Colour</b>	RAL 7035 grey
<b>RoHs conformity</b>	Compliant
<b>China RoHs - EFUP</b>	E
<b>REACH SVHC substances</b>	No

**Approvals / Standards**

<b>Certifications</b>	CQC, DNV, BV
<b>UL</b>	ECBT2
<b>cUL</b>	ECBT8

**General ordering information**

<b>EAN13 code</b>	8015747056533
<b>eCl@ss 8.1</b>	27440202
<b>ETIM 7.0</b>	EC000437

**Packaging Information**

<b>Packaging length</b>	230,00 mm
<b>Packaging height</b>	160,00 mm
<b>Packaging width</b>	330,00 mm
<b>Packaging weight</b>	1,43 kg
<b>Packaging volume</b>	12,14 dm <sup>3</sup>
<b>Packaging description</b>	Carton box
<b>Packaging quantity</b>	100 Pcs
<b>Packaging EAN code</b>	8015747056540
<b>Sub-packaging weight</b>	0,14 kg
<b>Sub-packaging description</b>	Carton box
<b>Sub-packaging quantity</b>	10 Pcs
<b>Sub-packaging EAN barcode</b>	8015747056557

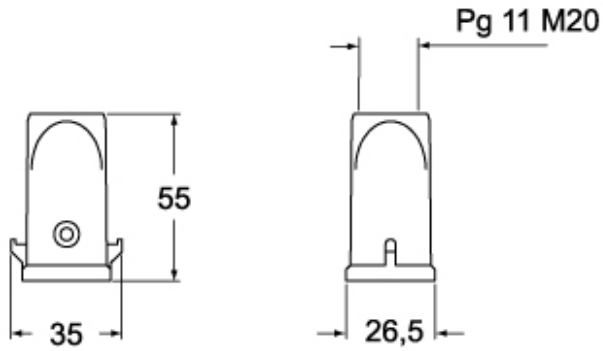
Part number

# MK V20

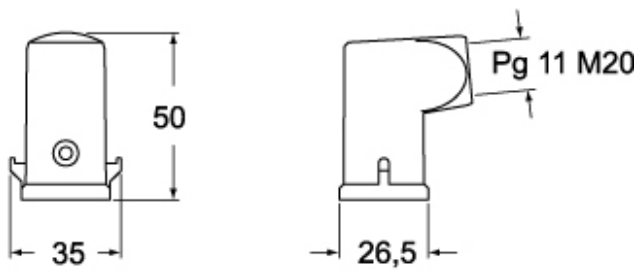


## Catalogue drawings

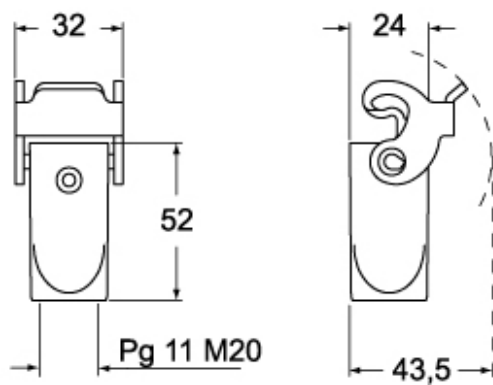
### CK V(N)S - MK V(N)



### CK VA(N)S - MK VA(N)



### CK VG(N)S - MK VG(N)



## Notes

Dimensions shown in mm are not binding and may be changed without notice.