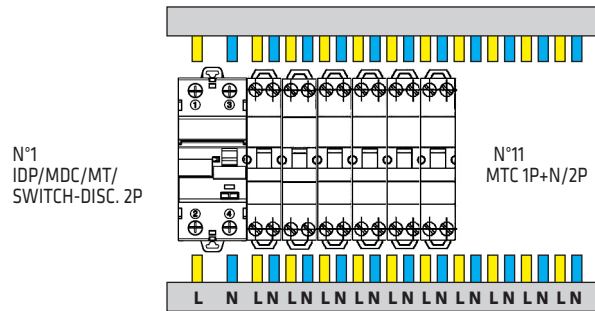


## Wiring busbars

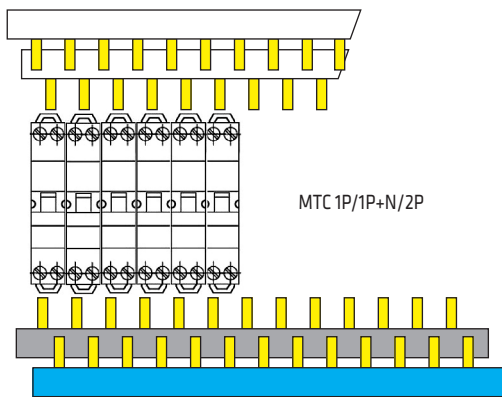
TECHNICAL DATA		
Rated operating voltage (Ue):	(V)	400 ac
Conditional short-circuit current conditioned by fuse (Icc):	(kA)	25 (gL 100)
Rated impulse withstand voltage (Uimp):	(kV)	4

## Wiring busbars for MTC circuit breakers

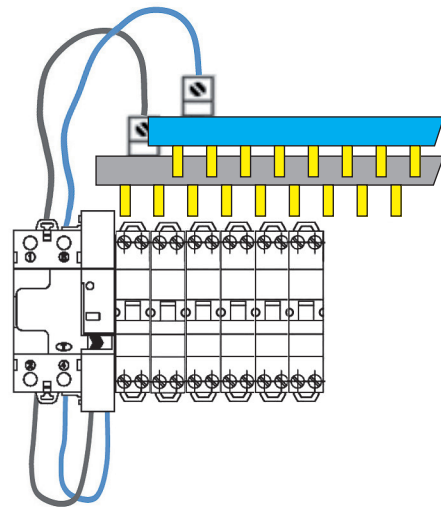
GW 96 507 F - 13 MOD. - 63A



GW 96 500 - GREY - 13 MOD. - 80A  
 GW 96 501 - BLUE - 13 MOD. - 80A  
 GW 96 988 - WHITE - L=1 MT. - 63A

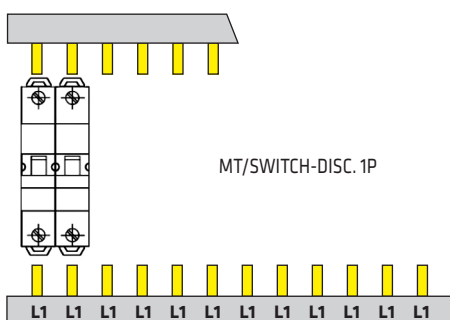


GW 96 503

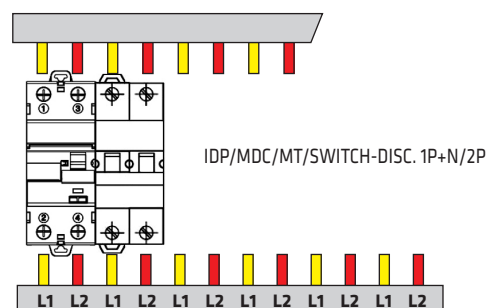


## Wiring busbars for MT/MDC/IDP circuit breakers and switch-disconnectors with red lever

GW 96 984 - 12 MOD. - 63A  
 GW 96 988 - 1 MT. - 63A

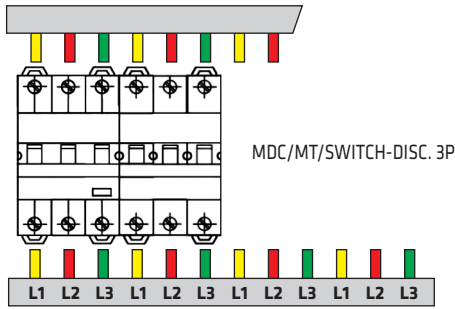


GW 96 985 - 12 MOD. - 63A  
 GW 96 989 - 1 MT. - 63A

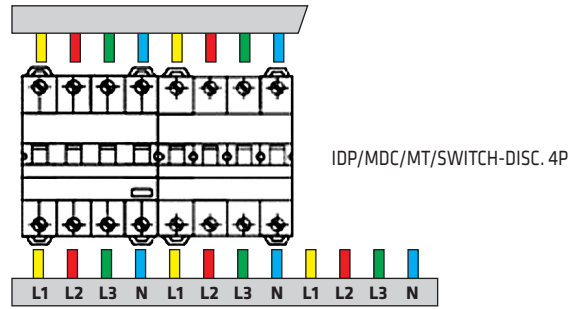


For technical information contact the Technical Assistance Service or visit [www.gewiss.com](http://www.gewiss.com)

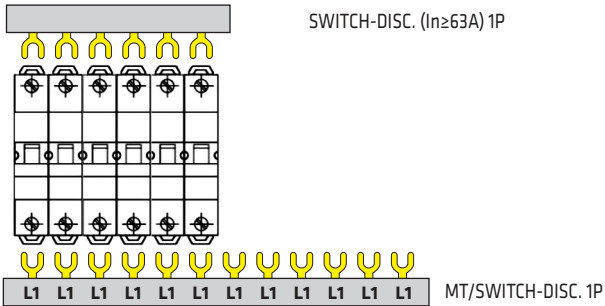
GW 96 986 - 12 MOD. - 63A  
GW 96 990 - 1 MT. - 63A



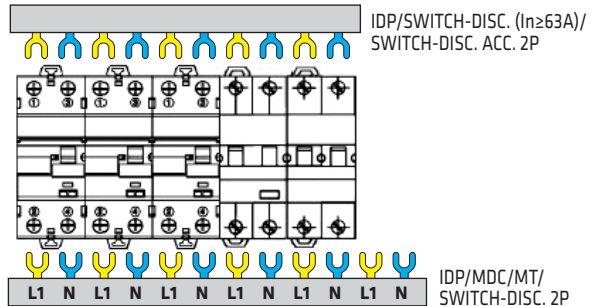
GW 96 987 - 12 MOD. - 80A  
GW 96 991 - 1 MT. - 80A



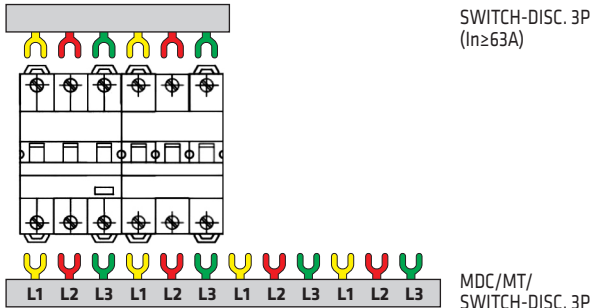
GW 96 992 - 12 MOD. - 63A  
GW 96 996 - 1 MT. - 63A



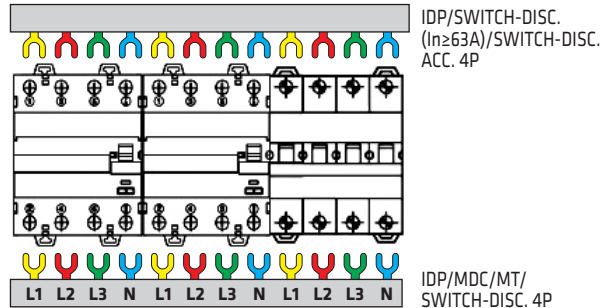
GW 96 993 - 12 MOD. - 63A  
GW 96 997 - 1 MT. - 63A



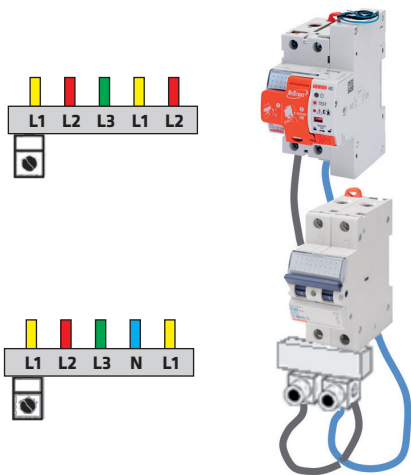
GW 96 994 - 12 MOD. - 63A  
GW 96 998 - 1 MT. - 63A



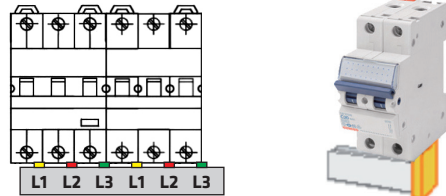
GW 96 995 - 12 MOD. - 80A  
GW 96 999 - 1 MT. - 80A



GW 96 961 FOR WIRING BUSBARS 1P/2P/3P  
GW 96 962 FOR WIRING BUSBARS 4P



GW 96 963 FOR WIR. BUSBARS 1P - GW 96 964 FOR WIR. BUSBARS 2P  
GW 96 965 FOR WIR. BUSBARS 3P - GW 96 966 FOR WIR. BUSBARS 4P



GW 96 967

