

Signal lights / D62/D85/D120

D85 Rotate/Flash/Blink/Sounder 24VDC YE



Part No.: 410.882.45



MECHANICAL DATA

| | |
|------------------------------|--------------------------------|
| Height | 125 mm |
| Diameter | 85 mm |
| Materials | PC PC/ABS |
| Dome colour | Yellow |
| Housing colour | Grey |
| Protection category | IP66 |
| Connection | Push-in terminal |
| cross-sectional area minimum | 0,25mm ² / 24AWG |
| cross-sectional area maximum | 1,50mm ² / 16AWG |
| Cable entry minimum | d = 8 mm |
| Cable entry maximum | d = 12 mm |
| Type of fixing | Base mounting Tube mounting |
| Working temperature minimum | -30°C |
| Working temperature maximum | +50°C |

ELECTRICAL DATA

| | |
|-----------------------------|--------------------------------|
| Operating voltage | 24V |
| Operating voltage type | DC |
| Operating voltage tolerance | +/- 10% |
| Rated operational voltage | 24 VDC |
| Rated operational current | 220 mA |
| Rated inrush current | 2.6A |
| Protection class | Protection class 2 |
| Pollution degree | 3 In the connection area: 2 |

OPTICAL DATA

| | |
|----------------------|-----------------------------|
| Light source | LED |
| Light colour | White |
| Optical signal image | Blink Flash Revolving |
| Service life optical | 50,000 h maximum |

ACOUSTIC DATA

| | |
|-----------------------------|--|
| Volume (max) at 1m distance | 97dB |
| Acoustic signal image | Alternating tone Multi-tone Pulse tone |

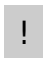
! For additional installation and mounting information, refer to the appropriate user guide at www.werma.com. This printed copy is for information only and is subject to alteration.

Signal lights / D62/D85/D120

D85 Rotate/Flash/Blink/Sounder 24VDC YE

| | |
|-----------------------|-----------------|
| Number of tones | 3 tone |
| Volume adjustable | Switch |
| Acoustic service life | 5,000 h minimum |

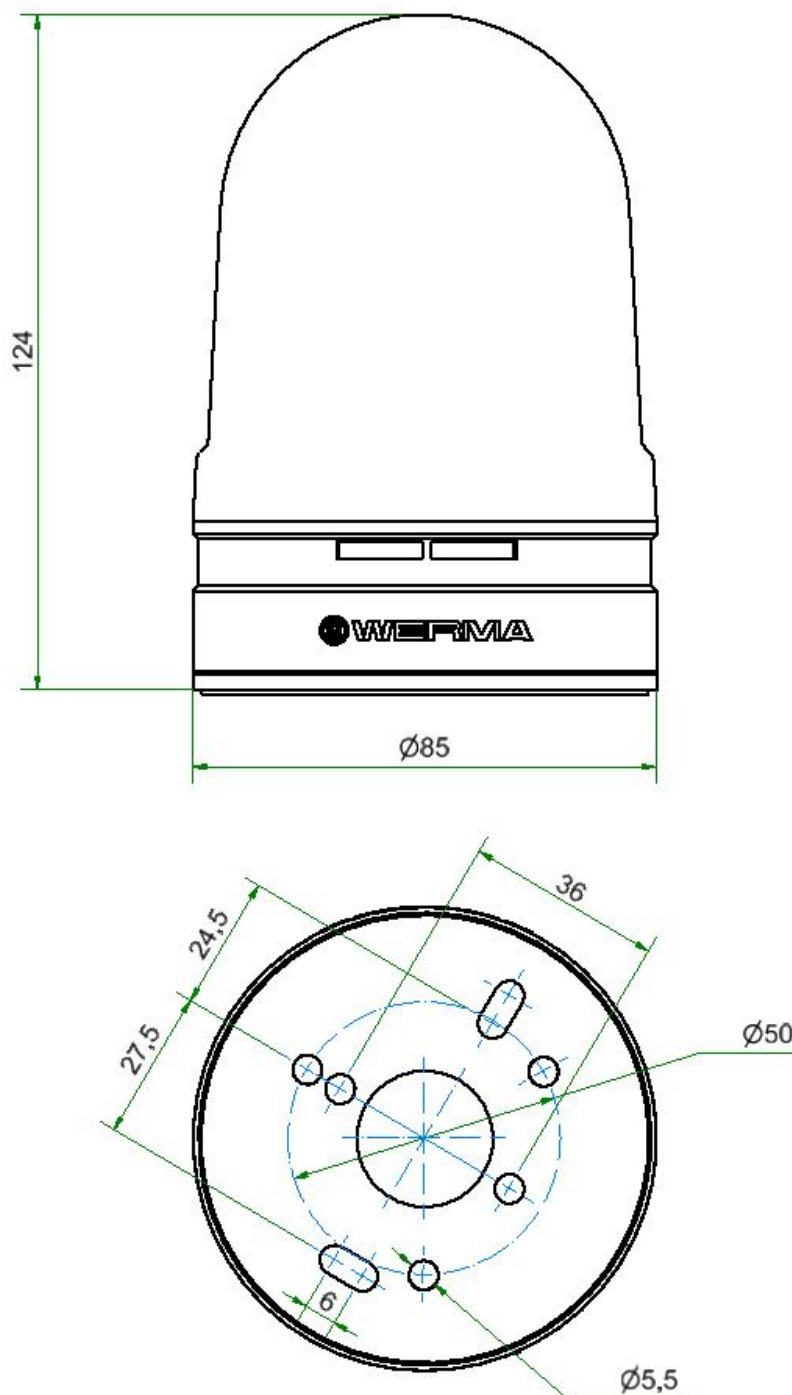
| APPROVAL DATA | |
|-------------------------------|-----------------------|
| Conforms with CE | Yes |
| Conforms with RoHS directive | Yes |
| WEEE | Yes |
| Conforms with UKCA (Importer) | Yes (WERMA (UK) Ltd.) |
| Conforms with RoHS CN | 10 years |

 For additional installation and mounting information, refer to the appropriate user guide at www.werma.com. This printed copy is for information only and is subject to alteration.

Signal lights / D62/D85/D120

D85 Rotate/Flash/Blink/Sounder 24VDC YE

DRAWING



! For additional installation and mounting information, refer to the appropriate user guide at www.werma.com. This printed copy is for information only and is subject to alteration.