

NH Fuse switch disconnectors



Gawe introduces a new range of NH fuse switch disconnectors characterised by its wide range of sizes, modularity and scope of accessories.

Functions

NH fuse switch disconnectors are used on low voltage electrical systems that require high protection against shortcircuit while securing on load circuit disconnection and isolation. We can find application on switchboard, distribution systems, OEM,...

According to standards

- IEC/EN 60 947-3
- VDE 0660 / part 100
- IEC/EN 60 269-2-1
- VDE 0636 / part 201

General characteristics

- Four sizes available from 00 to 3 (up to 630A).
- Range uniformity and modularity.
- Size 00 and 1 offer single pole, double pole, triple pole and quadruple pole models.
- Mounting options. Size 000 DIN rail or base mounting. Other sizes base mounting or busbar mounting.
- Installation flexibility vertical or horizontal. Sizes 00,1 and 2.
- Self extinguishing halogen free materials.

Product construction

Base: Manufactured of halogen free glass reinforced self-extinguishing material with high thermal stability characteristics. Copper contacts offer galvanic surface coating. Contact springs made of stainless steel. Symmetrical switch suitable for bottom / top cable terminal connections

Cover: The switch operating cover is made of halogen free glass reinforced self-extinguishing material. Supplied with large windows which enable to clearly check internal fuse characteristics and indicator status. Ergonomic handle for easy operation.



Touch protection IP20. When fuse link is in test mode IP rating is maintained.



Easy direct installation by snapping on to the bus bars.



Locking and sealing devices.



Parking position of switch operating cover.

Technical specifications

Fuse		NH 00	NH 1	NH 2	NH 3	
Conventional free air thermal current with fuse links I _{th}		160 A	250 A	400 A	630 A	
Max. Allowed power dissipation of nh-fuse links P _n		12 W	23 W	34 W	48 W	
Conventional free air thermal current with solid links I _{th}		200 A	400 A	630 A	780 A	
Max. Allowed power dissipation of solid links P _n		1.2 W	2.6 W	9 W	17,5 W	
Utilization category	AC 21 B	690 V	125 A	200 A	315 A	500 A
	AC 21 B	400 V				
	DC 21 B1)	440 V			400 A	
	AC 23 B	400 V	160 A	250 A	400 A	630 A
	AC 22 B	500 V	160 A	250 A	400 A	630 A
	DC 22 B	220 V	160 A	250 A		
Rated operational voltage U _e		690 V	690 V	690 V	690 V	
Rated insulation voltage U _i		1000 V	1000 V	1000 V	1000 V	
Rated impulse withstand voltage U _{imp}		8 kV	12 kV	12 kV	12 kV	
Rated frequency		50–60 Hz	50–60 Hz	50–60 Hz	50–60 Hz	
Degree of protection		IP20	IP20	IP20	IP20	
Pollution degree		3	3			
Rated duty		uninterrupted duty	uninterrupted duty	uninterrupted duty	uninterrupted duty	
Rated short-circuit making capacity with solid links I _{cm}		6.2 kA _{sw}	8.2 kA _{sw}	10.6 kA _{sw}	18,6 kA _{sw}	
Rated short-circuit making capacity with fuse links	400 V AC	80 kA / I _e = 160 A	80 kA / I _e = 200 A	80 kA / I _e = 400 A	80 kA / I _e = 630 A	
	500 V AC	80 kA I _e = 160 A	80 kA I _e = 200 A	80 kA I _e = 400 A	80 kA I _e = 630 A	
	690 V AC	50 kA I _e = 125 A	80 kA I _e = 200 A	80 kA I _e = 315 A	50 kA I _e = 500 A	
Rated short-time withstand current with solid links I _{cw}		4 kA / 1 s	8 kA / 1 s	13 kA / 1 s	18 kA / 1 s	
Power dissipation I _{th} without NH-Fuse links		2.3 W	3.5 W	20 W	40 W	
Power dissipation I _{th} without solid links		3.3 W	8 W	50 W	150 W	
Cable terminal connections		M8 Screw	M10 Screw	M10 Screw	M12 Screw	
Bus bar	Type / Width	60mm / 5-10mm	40-60mm / 5-10mm	40-60mm / 5-10mm	-	

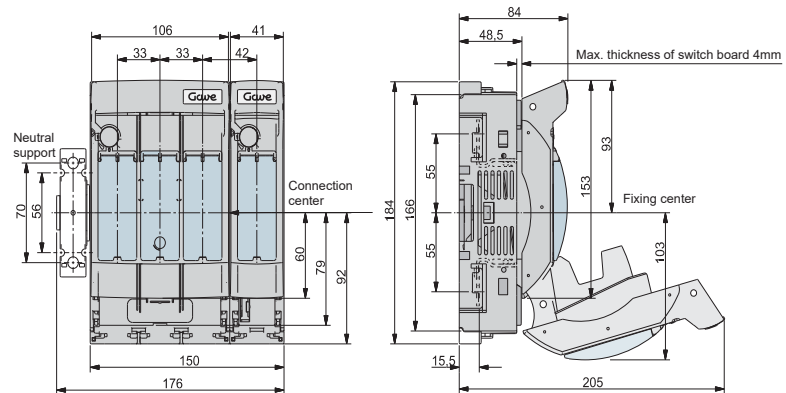
NH Fuse switch disconnectors



NH 00 Fuse switch

References	Poles	Current (A)	Connection	Weight (kg)
711	1	160	M8 screw	0,32
713	3	160	M8 screw	0,74
714	4	160	M8 screw	1,04

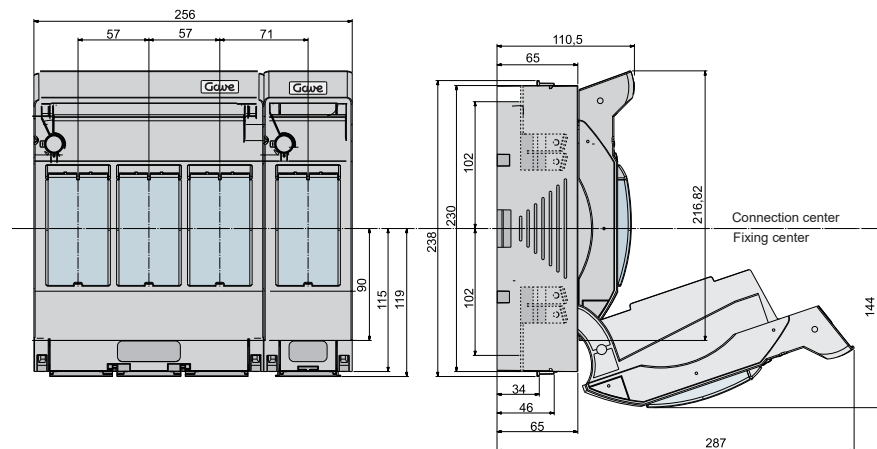
Dimensions



NH 1 Fuse switch

References	Poles	Current (A)	Connection	Weight (kg)
731	1	250	M10 screw	1,00
733	3	250	M10 screw	2,42
734	4	250	M10 screw	3,42

Dimensions



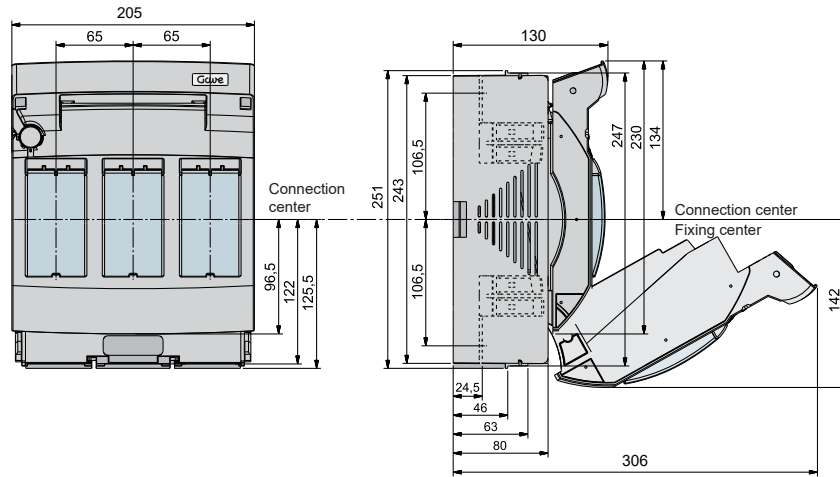
NH Fuse switch disconnectors



NH 2 Fuse switch

References	Poles	Current (A)	Connection	Weight (kg)
743	3	400	M10 screw	3,47

Dimensions



NH 3 Fuse switch

References	Poles	Current (A)	Connection	Weight (kg)
753	3	630	M12 screw	4,94

Dimensions

