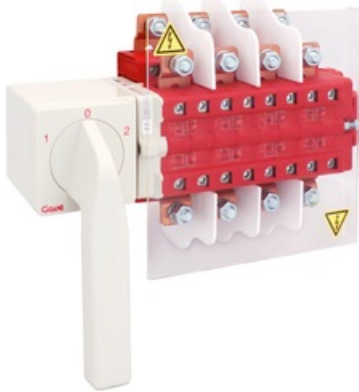


## LDA63A100

LD CHANGEOVER SWITCH 4P 160A + CA




<b>Code</b>	009LDA63A100
<b>EAN</b>	8430892215602

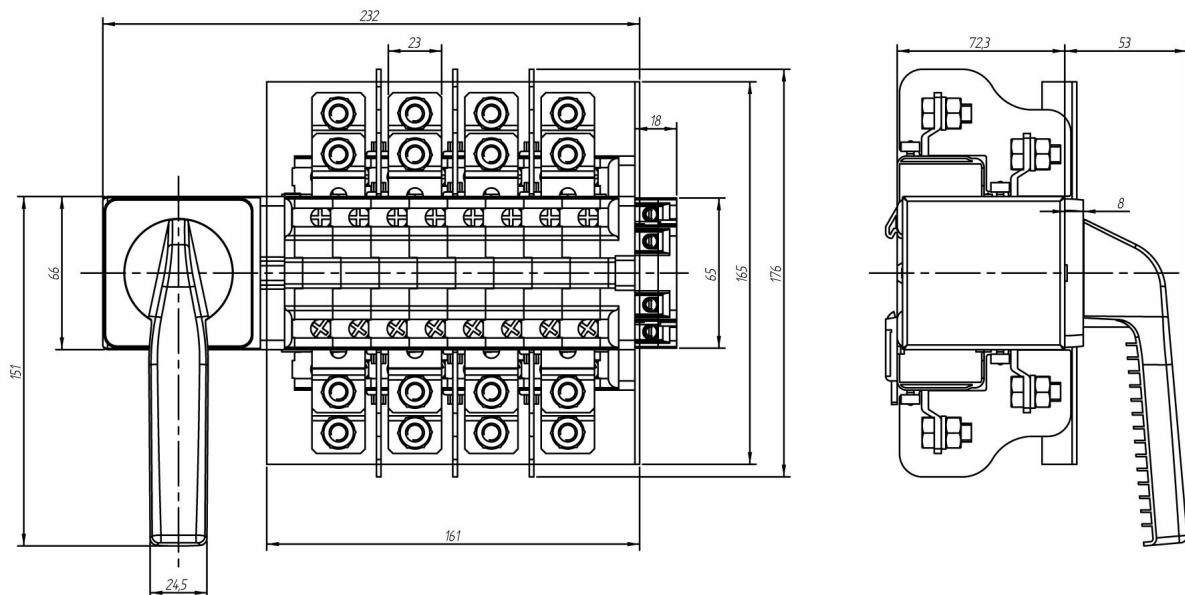
### Logistic data

<b>Customs code</b>	85365080
<b>ETIM code</b>	EC000216
<b>Package units</b>	1
<b>Package height (mm)</b>	150
<b>Package width (mm)</b>	195
<b>Package length (mm)</b>	280

## Technical data

Thermal rating (I <sub>th</sub> )	160 A
Wire section flexible	70 mm <sup>2</sup>
Connection screws	M8
Terminal	
Max. fuse protection (gG/aM)	160 A (415 V) 160 A (500 V)
Conditional shortcircuit current (I <sub>cc</sub> )	8 kA (415 V) 8 kA (500 V)
Insulating voltage (V~)	690
Insulating voltage (V...)	600
Operational rating (I <sub>e</sub> )	160 A
Dummy AC-21A	45 kW (3x230 V) 90 kW (3x415 V) 110 kW (3x500 V)
Mixed load AC-22A	37 kW (3x230 V) 75 kW (3x415 V) 90 kW (3x500 V)
Motor load AC-23A	30 kW (3x230 V) 52 kW (3x415 V) 65 kW (3x500 V)
Standards	IEC 60947-3

## Dimensions



Connection

---

