

## AC5521001

ON-OFF SWITCH DISCONNECTOR 3P.16A.D0 PADLOCKABLE BLACK/GREY IP65




<b>Code</b>	009AC5521001
<b>EAN</b>	8430892338929
<b>Product description</b>	Padlockable on-off switch disconnecter and IP65 gasket. Black handle/grey front plate 64x64 for panel fixing. 3 poles 16A. Size D0. Ergonomic screwless quick-mount handle. Connection with cage terminals for 2.5-6 mm <sup>2</sup> cable. Compatible with multiple accessories from the A5 series.

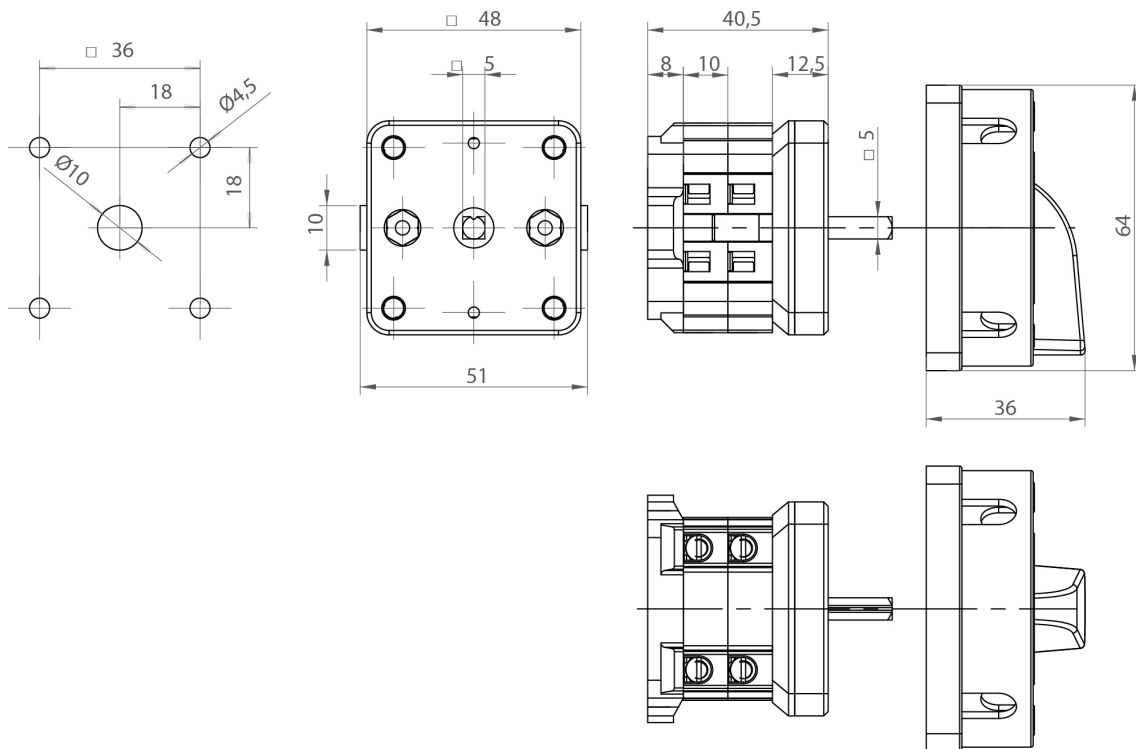
### Logistic data

<b>Customs code</b>	85365080
<b>ETIM code</b>	EC000216
<b>Package units</b>	1
<b>Package height (mm)</b>	95
<b>Package width (mm)</b>	68
<b>Package length (mm)</b>	68

## Technical data

Thermal rating (I <sub>th</sub> )	20 A
Wire section (AWG)	10
Wire section rigid	2,5 - 6 mm <sup>2</sup>
Wire section flexible	2,5 - 6 mm <sup>2</sup>
Tightening torque	1,6 Nm
Connection screws	M4
Terminal	
Max. fuse protection (gG/aM)	25/25 A (415 V) 25/25 A (500 V)
Conditional shortcircuit current (I <sub>cc</sub> )	6 kA (415 V) 6 kA (500 V)
Insulating voltage (V~)	690
Insulating voltage (V...)	400
Operational rating (I <sub>e</sub> )	16 A
Dummy AC-21A	5,5 kW (3x230 V) 11 kW (3x415 V) 15 kW (3x500 V)
Mixed load AC-22A	4 kW (3x230 V) 7,5 kW (3x415 V) 11 kW (3x500 V)
Motor load AC-23A	3 kW (3x230 V) 5,5 kW (3x415 V) 7,5 kW (3x500 V)
UL Electric characteristics	1,5 hp 1-fase (110-120 V) 2 hp 1-fase (220-240 V) 2 hp 3-fase (220-240 V) 2 hp 3-fase (380-415 V) 3 hp 3-fase (440-480 V) 5 hp 3-fase (550-600 V)
Standards	IEC 60947-3 UL 508

## Dimensions



## Connection

5	6		X
3	4		X
1	2		X
552		0	1

