

AB5522001

ON-OFF SWITCH DISCONNECTOR 3P 25A.D0 PADLOCKABLE RED/YELLOW IP65




Code	009AB5522001
EAN	8430892338882
Product description	Padlockable on-off switch disconnecter and IP65 gasket. Red handle/yellow front plate 64x64 for panel fixing. 3 poles 25A. Size D0. Ergonomic screwless quick-mount handle. Connection with cage terminals for 2.5-6 mm ² cable. Compatible with multiple accessories from the A5 series.

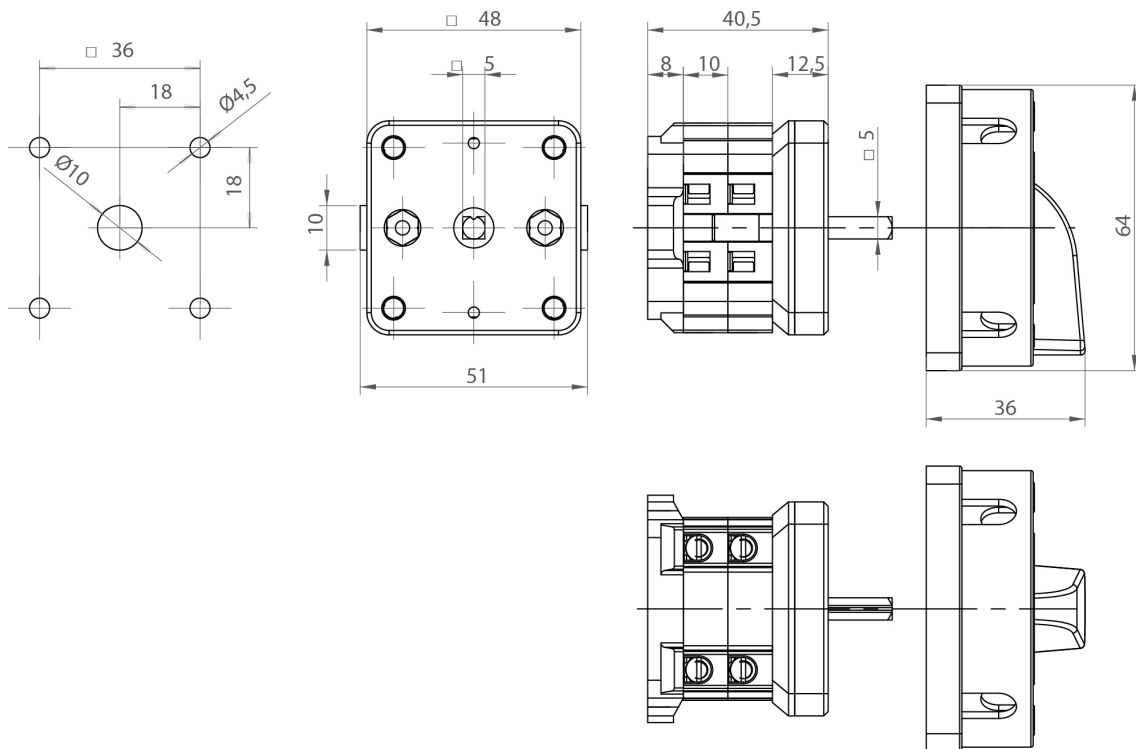
Logistic data

Customs code	85365080
ETIM code	EC000216
Package units	1
Product gross weight (kg)	0.16
Package height (mm)	95
Package width (mm)	68
Package length (mm)	68

Technical data

Thermal rating (Ith)	25 A
Wire section (AWG)	10
Wire section rigid	2,5 - 6 mm ²
Wire section flexible	2,5 - 6 mm ²
Tightening torque	1,6 Nm
Connection screws	M4
Terminal	
Max. fuse protection (gG/aM)	25/25 A (415 V) 25/25 A (500 V)
Conditional shortcircuit current (Icc)	6 kA (415 V) 6 kA (500 V)
Insulating voltage (V~)	690
Insulating voltage (V...)	400
Operational rating (Ie)	25 A
Dummy AC-21A	7,5 kW (3x230 V) 15 kW (3x415 V) 18,5 kW (3x500 V)
Mixed load AC-22A	7,5 kW (3x230 V) 15 kW (3x415 V) 18,5 kW (3x500 V)
Motor load AC-23A	5,5 kW (3x230 V) 7,5 kW (3x415 V) 11 kW (3x500 V)
UL Electric characteristics	2 hp 1-fase (110-120 V) 3 hp 1-fase (220-240 V) 2 hp 3-fase (220-240 V) 3 hp 3-fase (380-415 V) 5 hp 3-fase (440-480 V) 7 hp 3-fase (550-600 V)
Standards	IEC 60947-3 UL 508

Dimensions



Connection

5	6		X
3	4		X
1	2		X
552		0	1

