

## A-6713100

REVERSING CHANGEOVER SWITCH 3P32A.D1




<b>Code</b>	009A-6713100
<b>EAN</b>	8430892106092
<b>Product description</b>	Tripolar reversing changeover switch, IP20 with 1-0-2 grey front plate 64x64 for panel fixing. 3 poles 32A. Size D1. Ergonomic screwless quick-mount handle. Connection with cage terminals for 6-16 mm <sup>2</sup> cable. Compatible with multiple accessories from the A5 series.

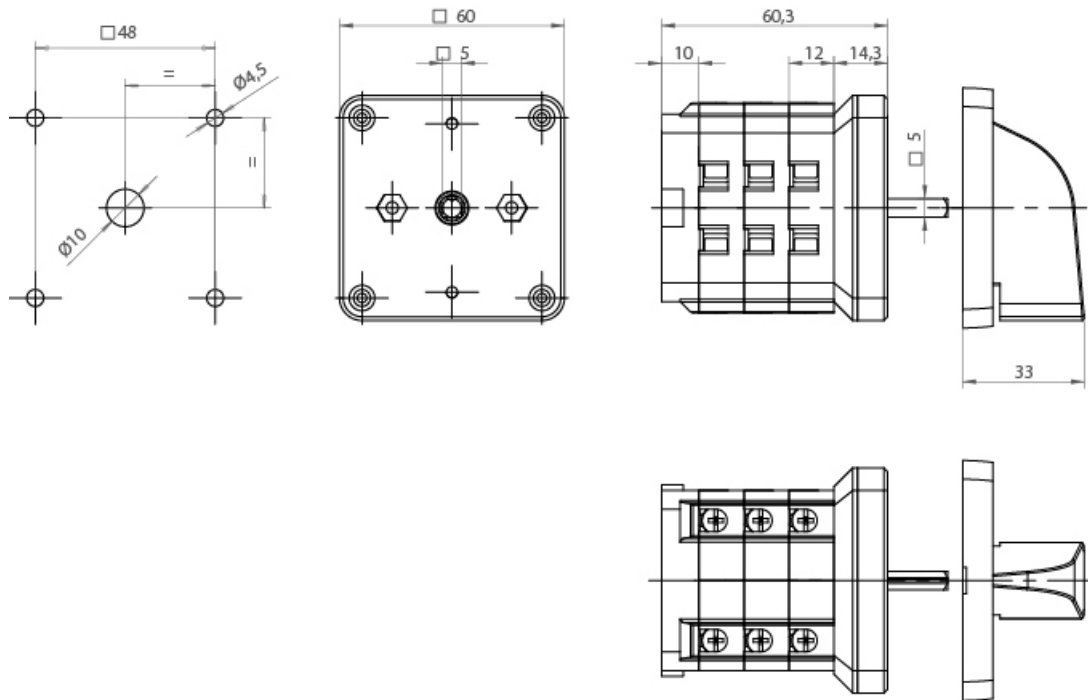
### Logistic data

<b>Customs code</b>	85365080
<b>ETIM code</b>	EC002611
<b>Package units</b>	1
<b>Product gross weight (kg)</b>	0.28
<b>Package height (mm)</b>	95
<b>Package width (mm)</b>	68
<b>Package length (mm)</b>	68

## Technical data

Thermal rating (I <sub>th</sub> )	40 A
Wire section (AWG)	6
Wire section rigid	6 - 25 mm <sup>2</sup>
Wire section flexible	6 - 16 mm <sup>2</sup>
Tightening torque	2 Nm
Connection screws	M5
Terminal	
Max. fuse protection (gG/aM)	40/32 A (415 V) 40/32 A (500 V)
Conditional shortcircuit current (I <sub>cc</sub> )	6 kA (415 V) 6 kA (500 V)
Insulating voltage (V~)	690
Insulating voltage (V...)	600
Operational rating (I <sub>e</sub> )	32 A
Dummy AC-21A	11 kW (3x230 V) 18,5 kW (3x415 V) 22 kW (3x500 V)
Mixed load AC-22A	7,5 kW (3x230 V) 15 kW (3x415 V) 18,5 kW (3x500 V)
Motor load AC-23A	5,5 kW (3x230 V) 11 kW (3x415 V) 15 kW (3x500 V)
UL Electric characteristics	2 hp 1-phase (110-120 V) 3 hp 1-phase (220-240 V) 7,5 hp 3-phase (220-240 V) 10 hp 3-phase (380-415 V) 10 hp 3-phase (440-480 V) 15 hp 3-phase (550-600 V)
Standards	IEC 60947-3 UL 508

## Dimensions



## Connection

