

A-6703100

REVERSING CHANGEOVER SWITCH 2P 32A.D1




Code	009A-6703100
EAN	8430892106009
Product description	Bipolar reversing changeover switch, IP20 with 1-0-2 grey front plate 64x64 for panel fixing. 2 poles 32A. Size D1. Ergonomic screwless quick-mount handle. Connection with cage terminals for 6-16 mm ² cable. Compatible with multiple accessories from the A5 series.

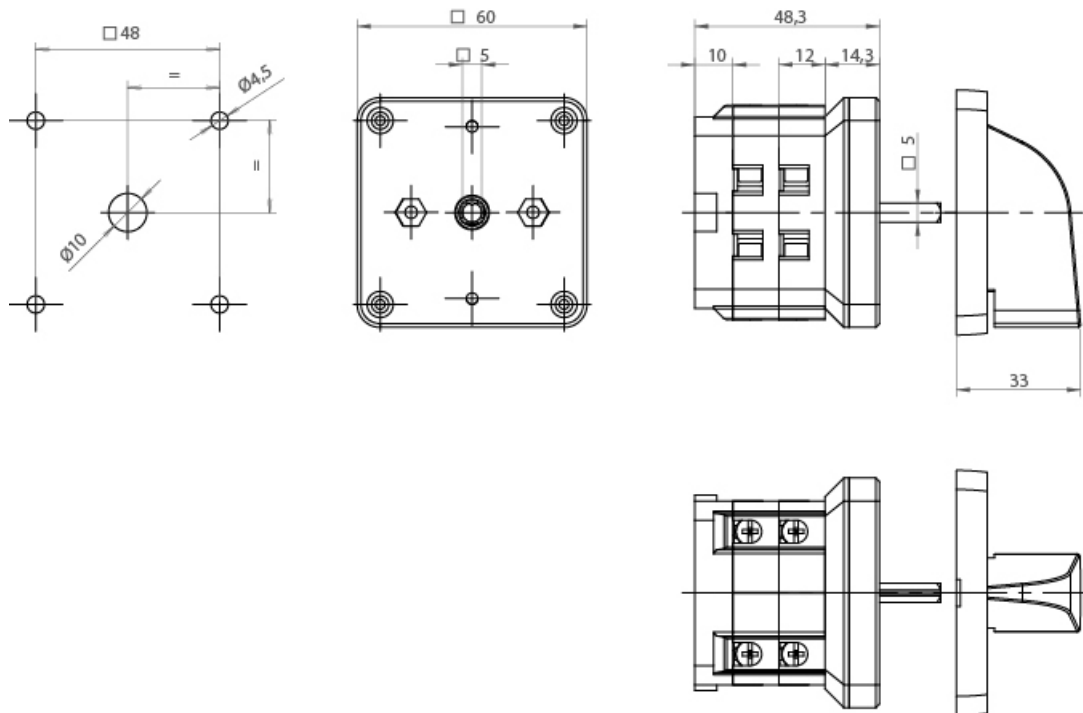
Logistic data

Customs code	85365080
ETIM code	EC002611
Package units	1
Package height (mm)	95
Package width (mm)	68
Package length (mm)	68

Technical data

Thermal rating (I _{th})	40 A
Wire section (AWG)	6
Wire section rigid	6 - 25 mm ²
Wire section flexible	6 - 16 mm ²
Tightening torque	2 Nm
Connection screws	M5
Terminal	
Max. fuse protection (gG/aM)	40/32 A (415 V) 40/32 A (500 V)
Conditional shortcircuit current (I _{cc})	6 kA (415 V) 6 kA (500 V)
Insulating voltage (V~)	690
Insulating voltage (V...)	600
Operational rating (I _e)	32 A
Dummy AC-21A	11 kW (3x230 V) 18,5 kW (3x415 V) 22 kW (3x500 V)
Mixed load AC-22A	7,5 kW (3x230 V) 15 kW (3x415 V) 18,5 kW (3x500 V)
Motor load AC-23A	5,5 kW (3x230 V) 11 kW (3x415 V) 15 kW (3x500 V)
UL Electric characteristics	2 hp 1-phase (110-120 V) 3 hp 1-phase (220-240 V) 7,5 hp 3-phase (220-240 V) 10 hp 3-phase (380-415 V) 10 hp 3-phase (440-480 V) 15 hp 3-phase (550-600 V)
Standards	IEC 60947-3 UL 508

Dimensions



Connection

