

A-5511001

ON-OFF SWITCH DISCONNECTOR 2P 16A.D0 IP65




Code	009A-5511001
EAN	8430892338974
Product description	Cam switch-disconnector and IP65 gasket, with 0-1 red front plate 48x48 for panel fixing. 2 poles 16A. Size D0. Ergonomic screwless quick-mount handle. Connection with cage terminals for 2.5-6 mm ² cable. Compatible with multiple accessories from the A5 series.

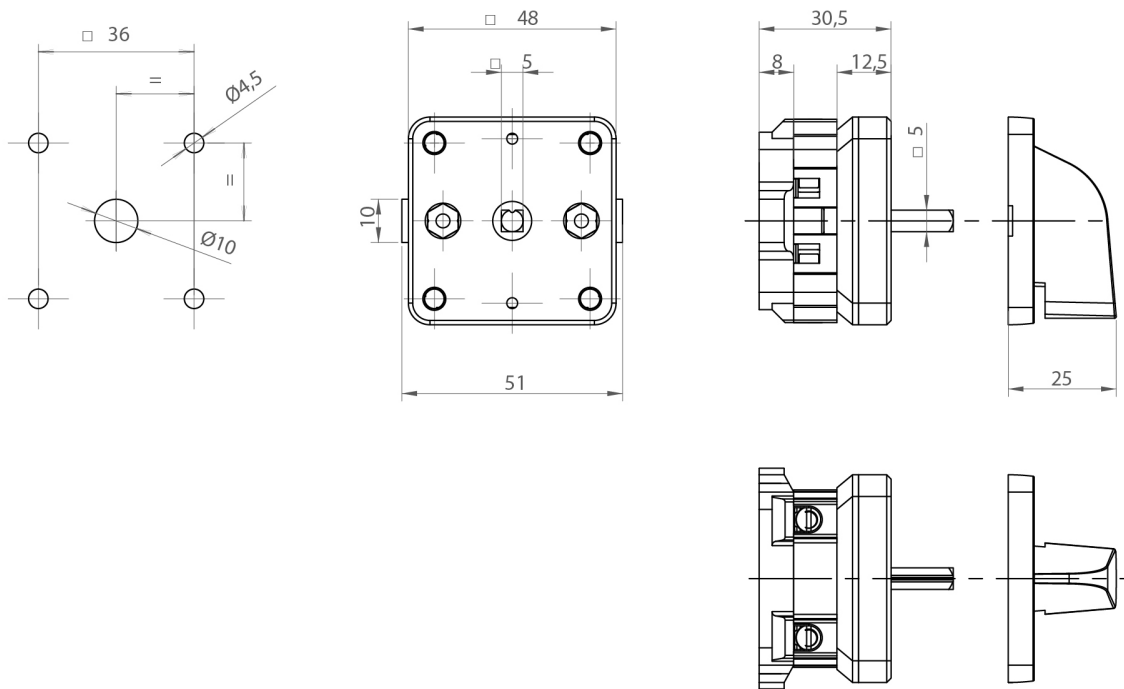
Logistic data

Customs code	85365080
ETIM code	EC000216
Package units	1
Product gross weight (kg)	0.105
Package height (mm)	82
Package width (mm)	50
Package length (mm)	50

Technical data

Thermal rating (Ith)	20 A
Wire section (AWG)	10
Wire section rigid	2,5 - 6 mm ²
Wire section flexible	2,5 - 6 mm ²
Tightening torque	1,6 Nm
Connection screws	M4
Terminal	
Max. fuse protection (gG/aM)	25/25 A (415 V) 25/25 A (500 V)
Conditional shortcircuit current (Icc)	6 kA (415 V) 6 kA (500 V)
Insulating voltage (V~)	690
Insulating voltage (V...)	400
Operational rating (Ie)	16 A
Dummy AC-21A	5,5 kW (3x230 V) 11 kW (3x415 V) 15 kW (3x500 V)
Mixed load AC-22A	4 kW (3x230 V) 7,5 kW (3x415 V) 11 kW (3x500 V)
Motor load AC-23A	3 kW (3x230 V) 5,5 kW (3x415 V) 7,5 kW (3x500 V)
UL Electric characteristics	1,5 hp 1-fase (110-120 V) 2 hp 1-fase (220-240 V) 2 hp 3-fase (220-240 V) 2 hp 3-fase (380-415 V) 3 hp 3-fase (440-480 V) 5 hp 3-fase (550-600 V)
Standards	IEC 60947-3 UL 508

Dimensions



Connection

3	4	X
1	2	X
551	0	1

