
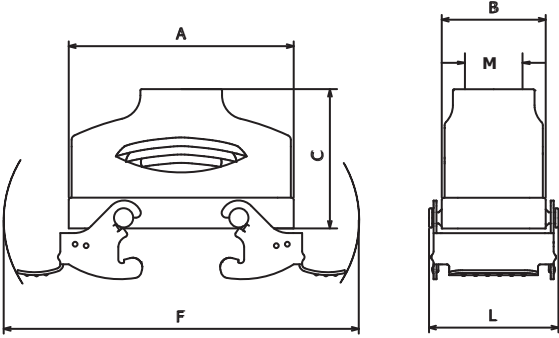



Hoods top entry with two levers without gasket	Size	Thread		Type STD Part No.												
  <table border="1" data-bbox="154 1435 767 1608"> <thead> <tr> <th>Size</th> <th>A</th> <th>B</th> <th>C</th> <th>F</th> <th>L</th> </tr> </thead> <tbody> <tr> <td>24B 104x27</td> <td>120.5</td> <td>43.5</td> <td>68</td> <td>174</td> <td>54</td> </tr> </tbody> </table>  <p data-bbox="124 1771 756 1883"> - Type: STD for standard applications and inserts up to 500V series: S-D, S-DD, S-E, S-ES, S-EP, S-ESHV, S-EE, S-HSB, S-K, S-M, S-EHV crimp. - IP66 protection degree - For IP66 cable glands </p>	Size	A	B	C	F	L	24B 104x27	120.5	43.5	68	174	54	24B 104x27	M32		7824.5067.0
Size	A	B	C	F	L											
24B 104x27	120.5	43.5	68	174	54											