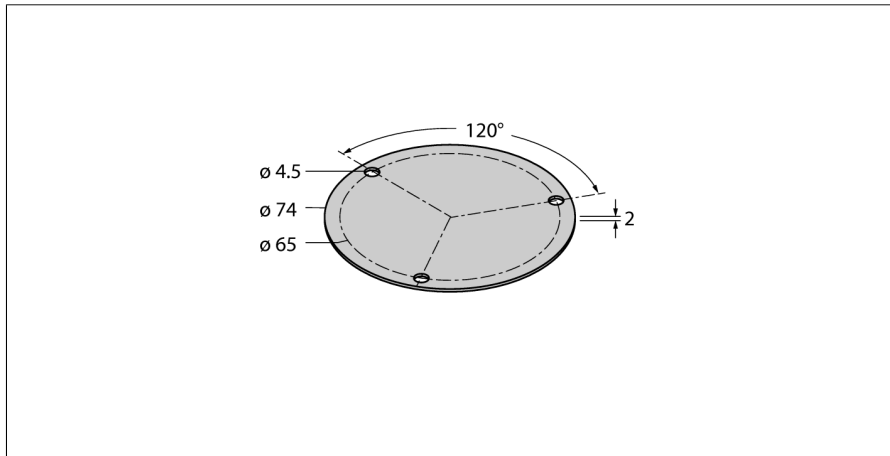


Accessories
Shield Plate
For Encoders RI-QR24
SP1-QR24



- Positioning element
- Hollow shaft, internal diameter 6 mm
- Incl. mounting option for shaft adapter

Type designation	SP1-QR24
Ident no.	1590938
Housing material	Aluminium