
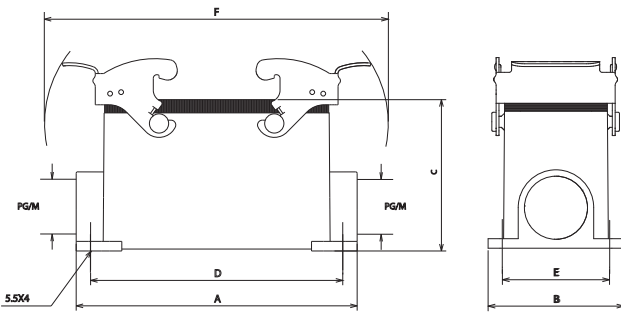






Surface mounting housings	Size	Thread	Type STD-HV	Type STD
			Part No.	Part No.
 	10B 57x27	M20		7810.6372.0
	16B 77x27	M25		7816.6374.0
	24B 104x27	M25		7824.6376.0
	32B 77x62	M50	7832.6378.0	7832.6378.0

Size	A	B	C	D	E	F
10B 57x27	97	57	57	82	40	127
16B 77x27	117	57	63	105	45	147
24B 104x27	143.5	57	63	132	45	174
32B 77x62	125	84.5	87.5	112	67	147

- Type: STD for standard applications and inserts up to 500V series: S-D, S-DD, S-E, S-ES, S-EP, S-ESHV, S-EE, S-HSB, S-K, S-M, S-EHV crimp.
- Type: STD-HV for standard applications and inserts up to 830V, S-EHV series screw terminal and S-HSB for applications over 500V up to 830V.
- IP66 protection degree