
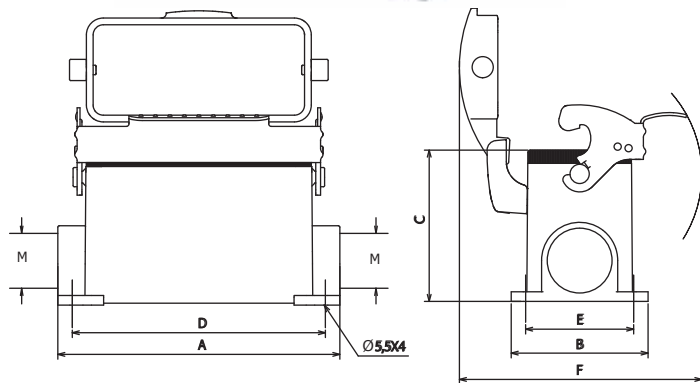


Surface mounting housing with cover							Size	Thread	Type STD																																										
									Part No.																																										
							10B 57x27	M20	7810.6363.0																																										
							16B 77x27	M25	7816.6365.0																																										
							24B 104x27	M25	7824.6367.0																																										
							32B 77x62	M50	7832.6369.0																																										
<table border="1"> <thead> <tr> <th>Size</th> <th>A</th> <th>B</th> <th>C</th> <th>D</th> <th>E</th> <th>F</th> </tr> </thead> <tbody> <tr> <td>10B 57x27</td> <td>97</td> <td>57</td> <td>57</td> <td>82</td> <td>40</td> <td>101</td> </tr> <tr> <td>16B 77x27</td> <td>117</td> <td>57</td> <td>63</td> <td>105</td> <td>45</td> <td>101</td> </tr> <tr> <td>24B 104x27</td> <td>143.5</td> <td>57</td> <td>63</td> <td>132</td> <td>45</td> <td>101</td> </tr> <tr> <td>32B 77x62</td> <td>125</td> <td>84.5</td> <td>87.5</td> <td>112</td> <td>67</td> <td>146</td> </tr> <tr> <td>48B 104x62</td> <td>141</td> <td>120</td> <td>96.5</td> <td>111</td> <td>106</td> <td>174.5</td> </tr> </tbody> </table>							Size	A	B	C	D	E	F	10B 57x27	97	57	57	82	40	101	16B 77x27	117	57	63	105	45	101	24B 104x27	143.5	57	63	132	45	101	32B 77x62	125	84.5	87.5	112	67	146	48B 104x62	141	120	96.5	111	106	174.5	48B 104x62	M50 x2	7848.6371.0
Size	A	B	C	D	E	F																																													
10B 57x27	97	57	57	82	40	101																																													
16B 77x27	117	57	63	105	45	101																																													
24B 104x27	143.5	57	63	132	45	101																																													
32B 77x62	125	84.5	87.5	112	67	146																																													
48B 104x62	141	120	96.5	111	106	174.5																																													



- Type: STD for standard applications and inserts up to 500V series: S-D, S-DD, S-E, S-ES, S-EP, S-EE, S-HSB, S-ESHV, S-K, S-M, S-EHV crimp
- IP66 protection degree
- Metal cover with stainless steel spring, screws and pegs
- 1 entry or 2 entries