


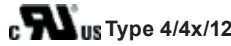



Hoods top entry with one lever and gasket	Size	Thread	Type STD	
			Part No.	
	6B 44x27	M25	7806.6581.0	
	10B 57x27	M25	7810.6582.0	

Size	A	B	C	I	F
6B 44x27	60	43.5	59	70.5	73
10B 57x27	73.5	43.5	64	84	73

- Type: STD for standard applications and inserts up to 500V
- series: S-D, S-DD, S-E, S-ES, S-EP, S-EE, S-HSB, S-ESHV, S-K, S-M, S-EHV crimp
- IP66 protection degree
- For IP66 cable glands