
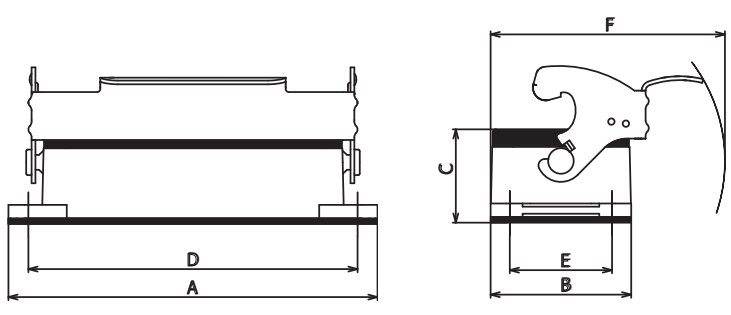
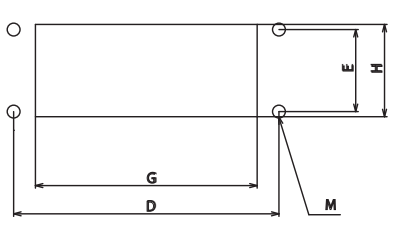


Bulkhead mounting housings		Size	Type STD						
			Part No.						
   Panel cut out		6B 44x27	7806.6401.0						
Size	A	B	C	D	E	F	G	H	M
6B 44x27	82	44	29.5	70	32	73	53	36	4.5



- Type: STD for standard applications and inserts up to 500V
 series: S-D, S-DD, S-E, S-ES, S-EP, S-EE, S-HSB, S-ESHV, S-K, S-M, S-EHV crimp