
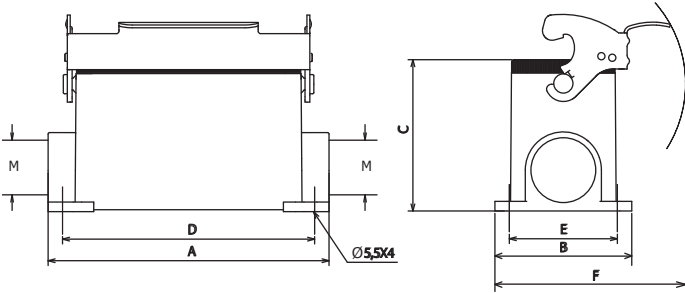


Surface mounting housings		Size	Thread	Type STD
				Part No.
 	6B 44x27	M20		7806.6351.0
	10B 57x27	M20		7810.6353.0
	16B 77x27	M25		7816.6355.0
	24B 104x27	M25		7824.6357.0
	32B 77x62	M50		7832.6359.0
24B 104x62				

Size	A	B	C	D	E	F
6B 44x27	83.5	57	53	70	40	79.5
10B 57x27	97	57	57	82	40	79.5
16B 77x27	117	57	63	105	45	79.5
24B 104x27	143.5	57	63	132	45	79.5
32B 77x62	125	84.5	87.5	112	67	115.5
24B 104x62	141	120	96.5	111	106	136.5



- Type: STD for standard applications and inserts up to 500V
series: S-D, S-DD, S-E, S-ES, S-EP, S-EE, S-HSB, S-ESHV, S-K, S-M, S-EHV crimp