
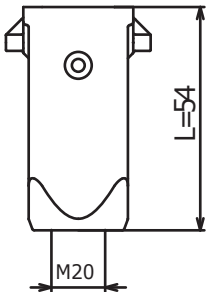
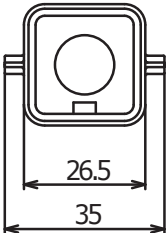





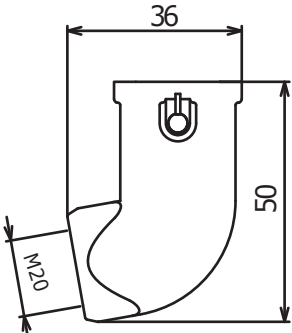
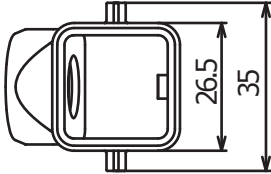






Hoods without gasket for inserts S-A, S-D, S-Q series	Colour	Thread	Part No.
<p>Hoods top entry</p>    <p>     </p> <ul style="list-style-type: none"> - Type: STD for standard application - Material: Polyamide g.f. RAL 9002 - Flammability: UL 94 V0 - GWT 960° - For inserts size 3A, S-A, S-D, S-Q series - With metric thread M20 - IP66 protection degree 	<p>Grey</p>	<p>M20</p>	<p>7803.6227.0</p>
<p>Hood side entry</p>    <p>     </p> <ul style="list-style-type: none"> - Type: STD for standard application - Material: Polyamide g.f. RAL 9002 - Flammability: UL 94 V0 - GWT 960° - For inserts size 3A, S-A, S-D, S-Q series - With metric thread M20 - IP66 protection degree 	<p>Grey</p>	<p>M20</p>	<p>7803.6229.0</p>