
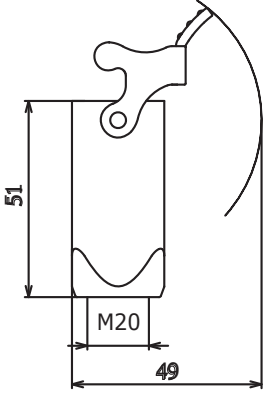
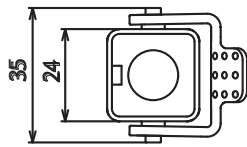





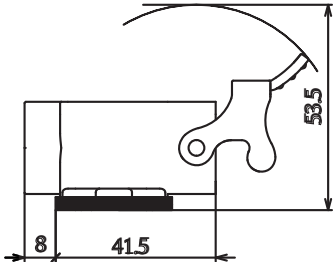
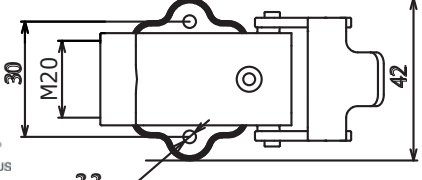
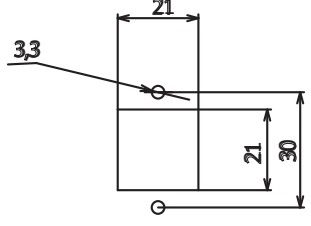






Description	Type	Thread	Part No.
<p><b>Hoods top entry with lever</b></p>    <p>     </p> <ul style="list-style-type: none"> <li>- Type STD for standard applications</li> <li>- For inserts size 3A, S-A, S-D, S-Q series</li> <li>- With metric thread M20</li> <li>- IP66 protection degree</li> <li>- With Zinc-plated steel lever</li> </ul>	STD	M20	7803.6232.0
<p><b>Right angle bulkhead mounting housings 1 side cable entry</b></p>     <p>     </p> <ul style="list-style-type: none"> <li>- Type STD for standard applications</li> <li>- For inserts size 3A, S-A, S-D, S-Q series</li> <li>- With metric thread M20</li> <li>- IP66 protection degree</li> <li>- With Zinc-plated steel lever</li> </ul> <p>Panel cut out</p>	STD	M20	7803.6226.0