
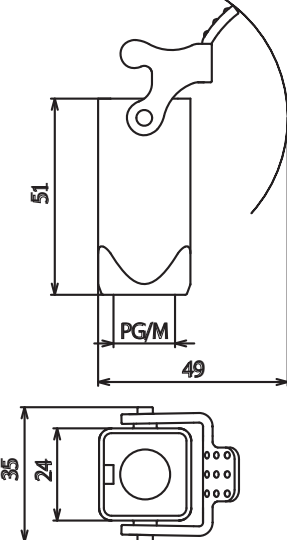

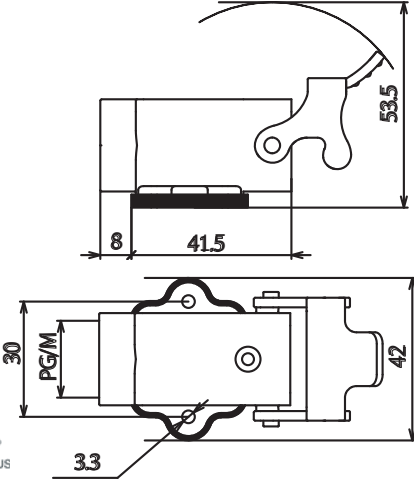
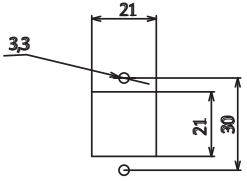


| Description | Colour | Thread | Part No. |
|--|--------|--------|-------------|
| <p>Hoods top entry with lever</p>   <p>CE (RoHS) cRU^{us} Type 4/4x/12 cSP^{us}</p> <ul style="list-style-type: none"> - Type: STD for standard application - Material: Polyamide g.f. RAL9002 - Flammability: UL 94 V0 - GWT 960° - For inserts size 3A, S-A, S-D, S-Q series - With metric thread M20 - IP66 protection degree | Grey | M20 | 7803.6231.0 |
| <p>Right angle bulkhead mounting housings with 1 side cable entry</p>   <p>CE (RoHS) cRU^{us} Type 4/4x/12 cSP^{us}</p> <ul style="list-style-type: none"> - Type: STD for standard application - Material: Polyamide g.f. RAL9002 - Flammability: UL 94 V0 - GWT 960° - For inserts size 3A, S-A, S-D, S-Q series - With metric thread M20 - IP66 protection degree <p>Panel cut out</p>  | Grey | M20 | 7803.6225.0 |