





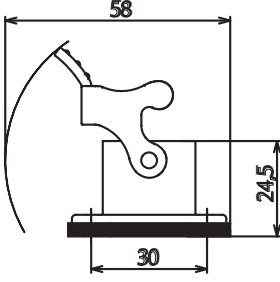
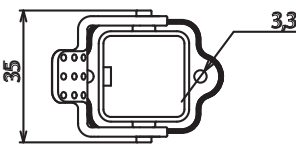
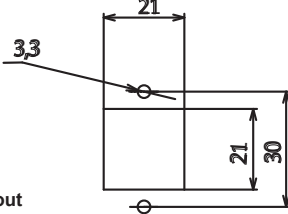






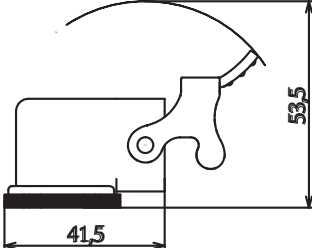
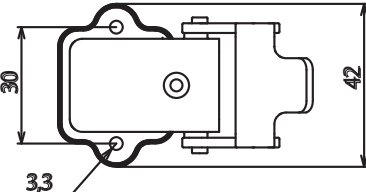
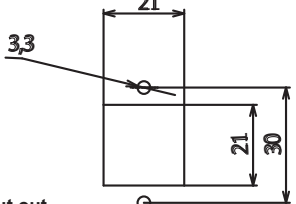


Description	Type	Part No.
<p><b>Bulkhead mounting housings</b></p>  <p>      </p> <p>- Type STD for standard applications</p> <ul style="list-style-type: none"> <li>- For inserts size 3A, S-A, S-D, S-Q series</li> <li>- With metric thread M20</li> <li>- IP66 protection degree</li> <li>- With Zinc-plated steel lever</li> </ul>    <p>Panel cut out</p>	<p>STD</p>	<p>7803.6202.0</p>
<p><b>Right angle bulkhead mounting housings</b></p>  <p>      </p> <p>- Type STD for standard applications</p> <ul style="list-style-type: none"> <li>- For inserts size 3A, S-A, S-D, S-Q series</li> <li>- With metric thread M20</li> <li>- IP66 protection degree</li> <li>- With Zinc-plated steel lever</li> </ul>    <p>Panel cut out</p>	<p>STD</p>	<p>7803.6204.0</p>