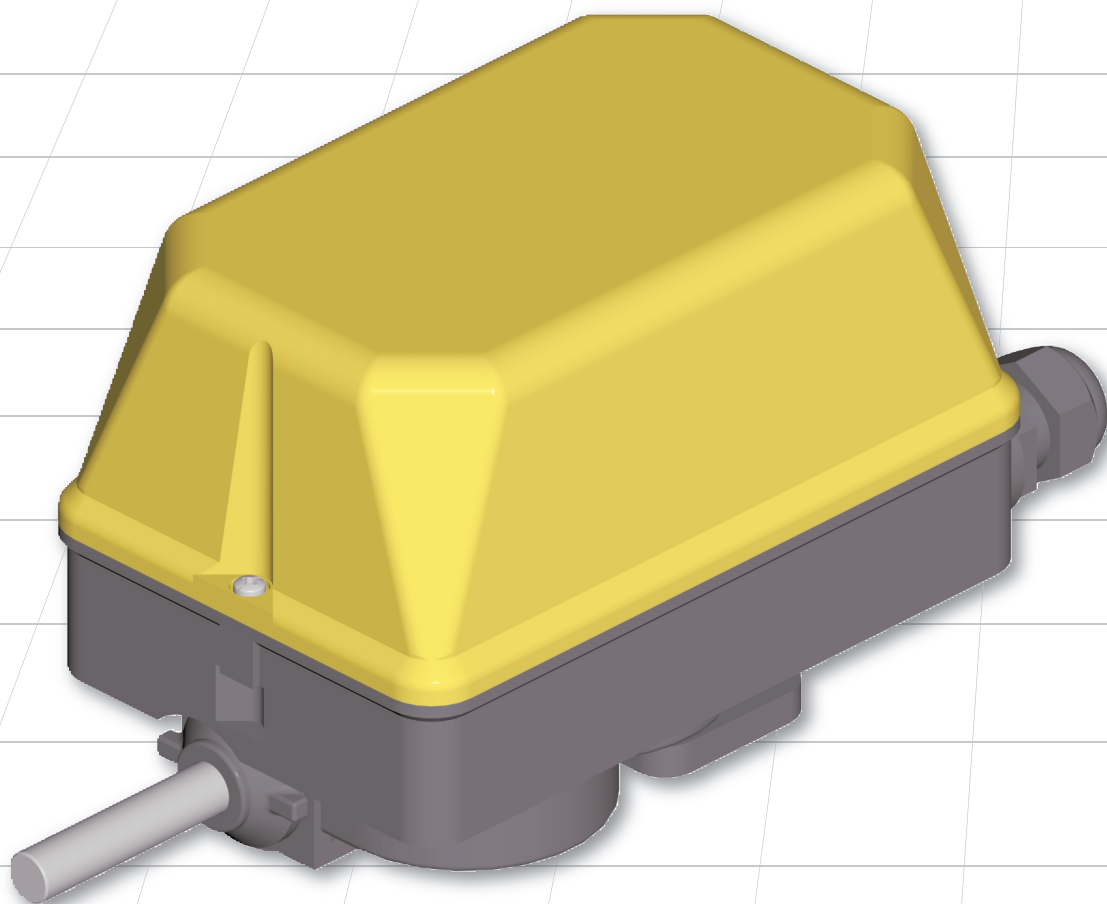
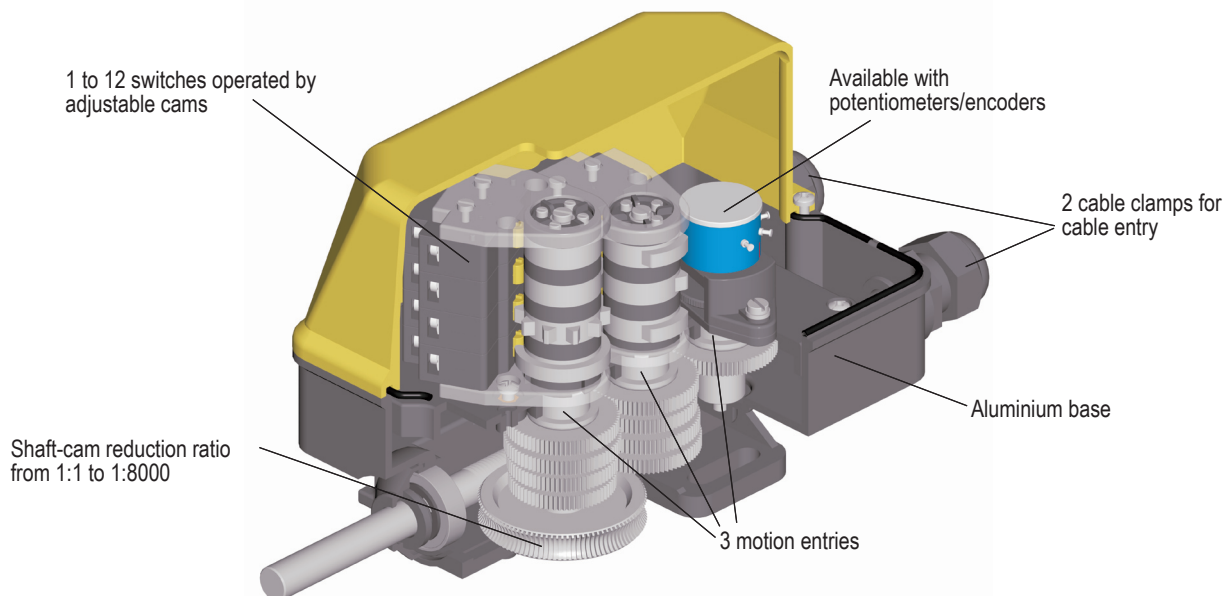


SF120

Rotary limit switch



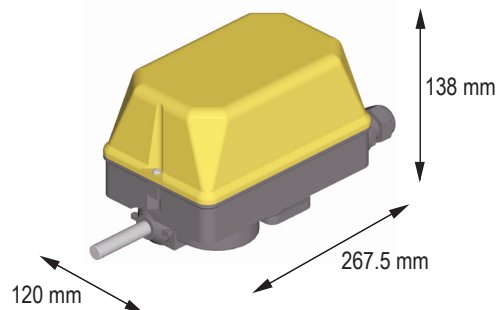
SF12C



Technical specifications

Operational temperature	-25°C / +70°C
Degree of protection	IP 65
Insulation category	Class I
Rated operational current	3 A
Rated operational voltage	250 Vac
Mechanical life	1x10 ⁶ operations
Markings	CE (UL, cUL on request)

Overall dimensions



Product features

- The limit switch can be customised.
- Switches available: 1NC and 1NC+1NO, with positive mechanical contact opening, snap or slow action.
- Available with front fixing flange.
- Available with cable clamp for cable entry from below.
- Available with the same or different revolution ratio on the two motion entries.
- Further information available on the technical documentation PRCA0EAO00.

The data and the products illustrated in this brochure may be modified without notice. Under no circumstances can their description have a contractual value.

ITALIAN PROJECTS, DESIGN AND PRODUCTS



TER Tecno Elettrica Ravasi srl

Via Garibaldi 29/31 - 23885 Calco (LC) - Italy
Tel. +39 0399911011 - Fax +39 0399910445
E-mail: info@terinternational.net - www.terinternational.net

Registered Office - Goods Reception:
Via San Vigilio 2 - 23887 Olgiate Molgora (LC) - Italy

GERMANY

TER Deutschland GmbH
Gruetzmuehlenweg 40
22339 Hamburg
Tel. +49 4053809250
Fax +49 4053809285
www.ter-deutschland.de

CZECH REPUBLIC

TER Ceska sro
Pekarska 12
15500 Praha 5
Tel. +42 0251613310
Fax +42 0235521939
E-mail info@terceska.cz

SCANDINAVIA

Elteco A/S
Valloevvej 3
07400 Herning
Tel. +45 70251845
Fax +45 70251855
E-mail info@elteco.dk

SPAIN-PORTUGAL

Shilectric S.L.
Pol. Ind. Gava Park - C/Imaginació 6
08850 Gava (Barcelona)
Tel. +34 936371197-936378411
Fax +34 936371257
E-mail shilectric@telefonica.net

PRCA0ES000-2