



Double Foot Switch



Rotary Limit Switch



Rotating Collector

PRODUCT RANGE

CATALOGUE

FEATURES

- Pendants
- Foot Switches
- Limit Switches
- Rotating Collectors

INTRODUCTION

TER Products at Electrical Importing Company

TER Tecno Elettrica Ravasi srl was established in Olgiate Molgora, Italy in 1962 specialising in switches and controls for industrial hoisting machines. TER has an in-house Test Lab, designed to test the operating safety of the products and guarantee conformity with the different regulations that apply to the electromechanical industry. TER focuses its strategy on the creation of innovative, reliable products that could anticipate demands from the market. All TER products are "Made in Italy" and production has always been concentrated in Italy to guarantee excellence of materials and greater controls on products and components. EIC choose to support the best quality European brands to supply into the NZ market. TER has one of the highest reputations industry wide.











CONTENTS

	PAGE:
PENDANT RANGE OVERVIEW	2
CHARLIE & ALPHA SERIES	3
SPA SERIES	7
NPA SERIES	9
MIKE & VICTOR SERIES	11
PCP SERIES	15
MIKE-D SERIES	16
FOOT SWITCHES	17
X-ROD TYPE LIMIT SWITCHES	17
ROTARY LIMIT SWITCHES	18
ROTATING COLLECTORS	21



PENDANT OVERVIEW

SERIES	FUNCTION	TYPE	NUMBER OF ACTUATORS	RECONFIGURABLE	FEATURES	
 <p>PAGE:3 & 6</p>	Charlie	Auxiliary control station	Pendant	2 to 3	Fixed	<ul style="list-style-type: none"> - Ergonomic - Economical - Handy - Small - Light Duty - 1 & 2 Speed - IP65
 <p>PAGE:4 & 5</p>	Alpha	Auxiliary control station	Pendant	2 to 13	Small Changes	<ul style="list-style-type: none"> - Ergonomic - Compact - 2 rows - Wide range of actuators - 1 & 2 Speed - IP65
 <p>PAGE:11 & 13</p>	Mike	Auxiliary control station	Pendant	2 to 15	Fully	<ul style="list-style-type: none"> - Regular use - Wide range of actuators - Ease of installation - 1 & 2 Speed - IP66/IP67/IP69k, IK08
 <p>PAGE:12 & 14</p>	Victor	Auxiliary control station	Pendant / Station	1 to 8	Fully	<ul style="list-style-type: none"> - Regular use - Wide range of actuators - Ease of installation - Wall mounted stations - Variety of colours - 1 & 2 Speed - 1-4 Actuators - IP66/IP67/ IP69K - 5-8 Actuators IP65
 <p>PAGE:9</p>	NPA	Auxiliary control station	Pendant	2 to 12	Fully	<ul style="list-style-type: none"> - Robust use - Wide range of actuators & symbols - Dust proof buttons - Cable Sleeve angle 0-20° - 1, 2 & 3 speed available - IP65
 <p>PAGE:7</p>	SPA	Auxiliary control station	Pendant	2 to 20	Good	<ul style="list-style-type: none"> - Heavy duty - Compact with 2 rows - Wide range of symbols - 1 & 2 Speed - IP65
 <p>PAGE:16</p>	Mike-D	Direct control station	Pendant	3	Fixed	<ul style="list-style-type: none"> - Mains direct control - 2 Pole contacts - 1 or 2 phase - 10A 400Vac, 3kW contacts - 1 Speed - IP66/IP67/IP69K, IK09
 <p>PAGE:15</p>	PCP	Direct control station	Pendant	2 to 3	Fixed	<ul style="list-style-type: none"> - Mains direct control - 3 Pole contacts - 3 phase - Heavy duty - 10A 400Vac, 3kW contacts - AC-3/AC-4 - 1 speed - IP65

CHARLIE SERIES

A compact-sized pendant station for auxiliary control. Modern user-friendly design, developed by an industrial design firm on technical, futuristic and ergonomic specifications.

Easy to handle and designed to reduce installation time and costs and maintenance down time.

- Single switches with NO or NC contacts and double switches with NO contacts, one or two speeds, with electrical interlock to prevent simultaneous operation of opposite functions.
- All materials and components used are wear resistant and ensure protection of the unit against water and dust.

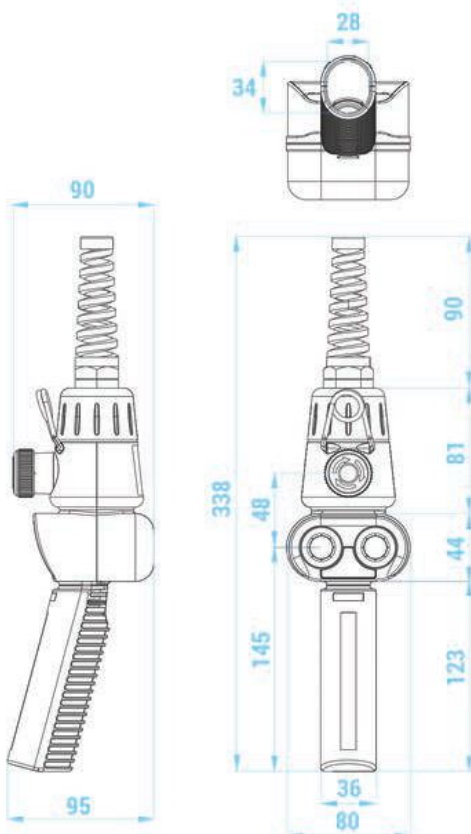
Ordering Information

CHARLIE AUXILIARY CONTROL PENDANTS							
ACTUATORS	DESCRIPTION	PART NUMBER	1 SPEED	2 SPEED	DIRECTIONAL ARROWS	START/ STOP	E/STOP
2	2x 1-SPEED BUTTONS(UP/DOWN)	PF39020003	X		X		
	2x 2-SPEED BUTTONS (UP/DOWN)	PF39020004		X	X		
	1x 1NO + 1x 1NC BUTTONS (START/STOP)	PF38020014				X	
3	2x 1-SPEED BUTTONS(UP/DOWN) + 1NC E/STOP	PF39030003	X		X		X
	2x 2-SPEED BUTTONS(UP/DOWN) + 1NC E/STOP	PF39030004		X	X		X

Charlie Series Part List see page: 6

Pendants can be **customised** to suit different applications - **Contact EIC for more information**

Spiral cable Clamp M20 Pendant Dimensions (mm)



General Specifications

- Conformity to Standards: EN 60204-1, EN 60947-1, EN 60947-5-1, EN 60529, EN 418
- Operational ambient temperature: -25°C/+70°C
- Insulation category: Class II
- Weight: 320 g
- Operational ratings to AC-15: 250V 3A
- Connections: screw-type terminals
- Wires: 1x2.5 mm², 2x1.5 mm²

A pendant control station for auxiliary control with an innovative and modern design, where all the graphic elements refer to specific technical functions.

Resulting from a thorough analysis of the ergonomic features combined with the research of a graphic style suitable for a modern industrial environment, Alpha is easy to handle through its size and shape.

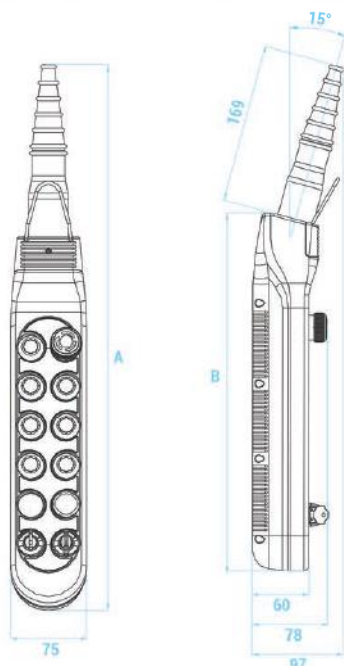
- Available in configurations from 4 to 7 actuators (2 to 13 on indent).
- All materials and components used are wear resistant and provide protection of the unit against water and dust.
- Single or double switches with NO or NC contacts featuring one or two speeds.
- Wide range of actuators: pushbuttons and selector switches in various operation configurations, pilot lights, latched mushroom pushbuttons with twist to release.

Ordering Information

ALPHA AUXILIARY CONTROL PENDANTS								
ACTUATORS	BODY	DESCRIPTION	PART NUMBER	1 SPEED	2 SPEED	DIRECTIONAL ARROWS	START/ STOP	E/STOP
4	4 HOLE	4x 1-SPEED BUTTONS (4 DIRECTIONS)	PF38040004	X		X		
		2x 1-SPEED BUTTONS (LEFT/RIGHT) + 2x 2-SPEED BUTTONS (UP/DOWN)	PF38040006	X	X	X		
		2x 1-SPEED BUTTONS (UP/DOWN) + 1NO START + 1NC E/STOP	PF38040002	X		X	X	X
5	5 HOLE	4x 1-SPEED BUTTONS (4 DIRECTIONS) + 1NC E/STOP	PF38050003	X		X		X
		2x 1-SPEED BUTTONS (LEFT/RIGHT) + 2x 2-SPEED BUTTONS (UP/DOWN) + 1NC E/STOP	PF38050004	X	X	X		X
		4x 2-SPEED BUTTONS (4 DIRECTIONS) + 1NC E/STOP	PF38050005		X	X		X
6	8 HOLE	6x 1-SPEED BUTTONS (4 DIRECTIONS + TILT UP/DOWN)	PF38060013	X		X		
7	9 HOLE	6x 1-SPEED BUTTONS (4 DIRECTIONS + TILT UP/DOWN) + 1NC E/STOP	PF38070011	X		X		X
		4x 1-SPEED BUTTONS (LEFT/RIGHT + TILT UP/DOWN) + 2x 2-SPEED (UP/DOWN) + 1NC E/STOP	PF38070008	X	X	X		X
		6x 2-SPEED (4 DIRECTIONS + TILT UP/DOWN) + 1NC E/STOP	PF38070003		X	X		X

Pendant Dimensions (mm)

No. of actuators	Dimensions (mm)	
	A	B
2-3-4-5	382	222
6-7-8-9	462	302
10-11-12-13	542	382



Alpha Series Part List see page: 5

Pendants can be **customised** to suit different applications

- **Contact EIC for more information**

PF38070011

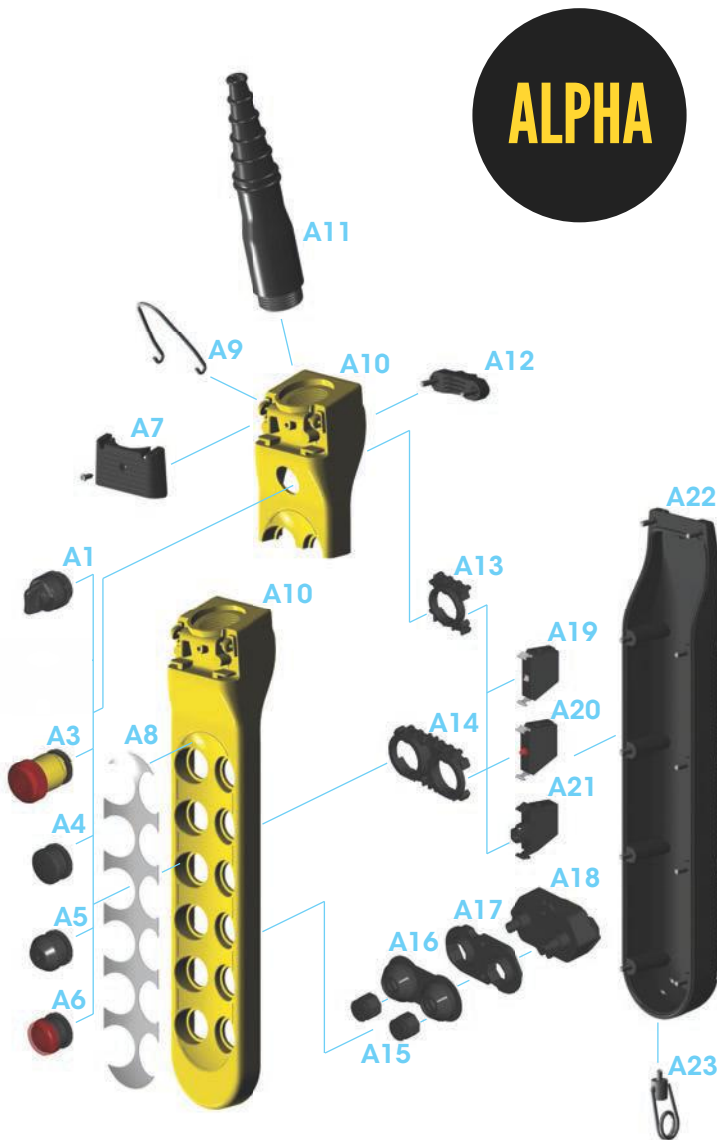


General Specifications

- Conformity to Standards: EN 60204-1, EN 60947-1, EN 60947-5-1, EN 60529, EN 418
- Operational ambient temperature: -25°C/+70°C
- Insulation category: Class II
- Operational ratings to AC-15: 250V 3A
- Connections: screw-type terminals
- Wires: 1x2.5 mm², 2x1.5 mm²
- Cable entry rubber cable sleeve (Ø 14-26mm)

ALPHA & CHARLIE SERIES

The Alpha and Charlie series feature a range of parts and accessories. All available options for the perfect pendant can be found on this page.



Assembly Drawing

Ordering Information

CONTACTS	
ALPHA PENDANTS REFERENCE	DESCRIPTION
A18	1-SPEED, 2NO+COMMON DOUBLE CONTACT BLOCK 2-SPEED, 3NO+COMMON DOUBLE CONTACT BLOCK
A19	1NO CONTACT BLOCK
A20	1NC CONTACT BLOCK
ACTUATORS	
A4	BLANKING PLUG
A5	SINGLE PUSHBUTTON
A16	RUBBER FOR DOUBLE PUSHBUTTON
A15 FOR USE WITH DOUBLE RUBBER	DOUBLE PUSHBUTTON BLACK DOUBLE PUSHBUTTON START DOUBLE PUSHBUTTON WHITE 1-SPEED BLACK ARROW DOUBLE PUSHBUTTON BLACK 1-SPEED WHITE ARROW DOUBLE PUSHBUTTON WHITE 2-SPEED BLACK ARROW DOUBLE PUSHBUTTON BLACK 2-SPEED WHITE ARROW DOUBLE PUSHBUTTON WHITE 2x 1-SPEED BLOCK ARROWS
A17	HOLDING PLATE FOR DOUBLE PUSHBUTTON
MUSHROOM PUSHBUTTONS	
A3	E/STOP LATCHED MUSHROOM PUSHBUTTON
SELECTOR SWITCHES	
A1	2 POSITION MAINTAINED SWITCH 0/1 3 POSITION MAINTAINED SWITCH 1/0/2
ACCESSORIES	
-	PENDANT HOOK - CHARLIE
-	SPIRAL CABLE CLAMP M20 - CHARLIE
A11	CABLE SLEEVE - ALPHA, MIKE & SPA
A14	HOLDING PLATE 2+2 CONTACT BLOCKS

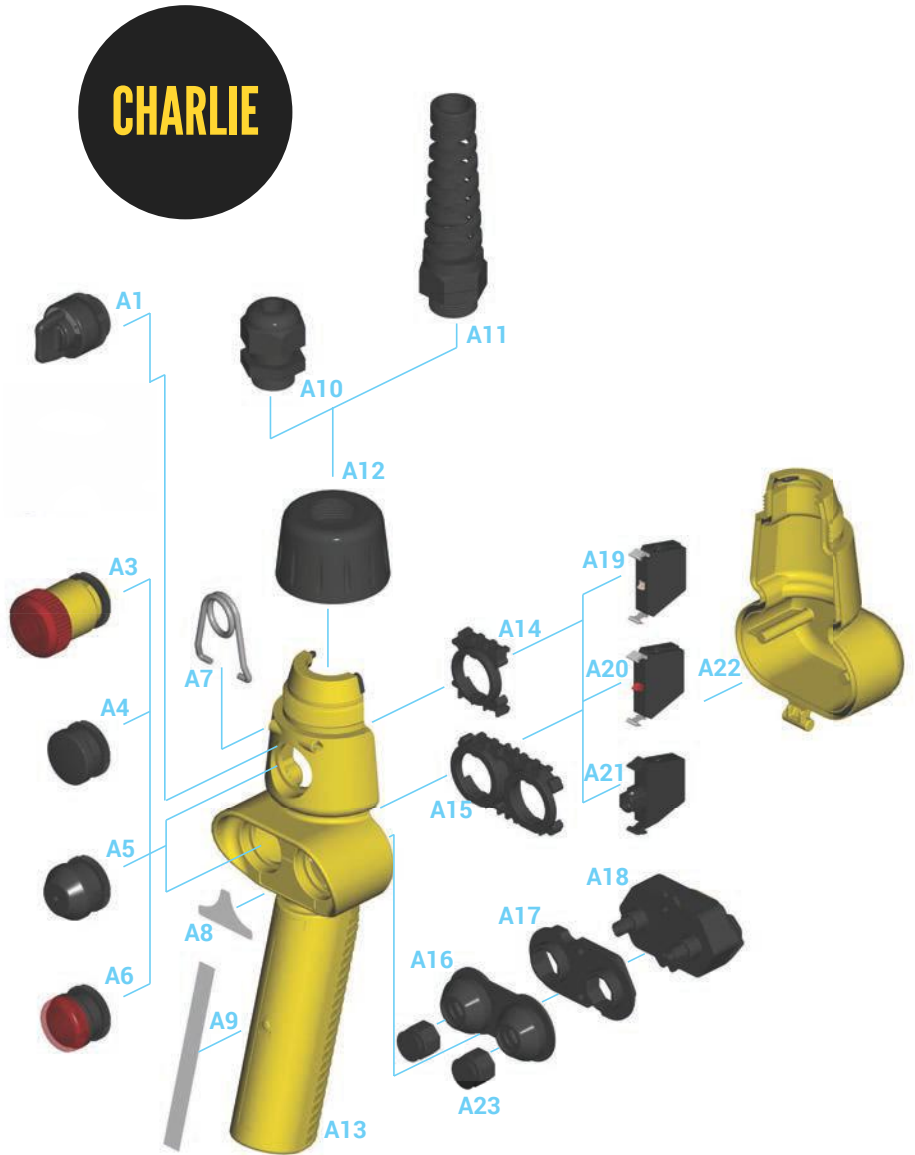


PARTS & ACCESSORIES

Our range of pushbutton symbol discs can be found at www.eic.nz to complete any custom layout. Some examples shown:



PART NUMBER	CHARLIE PENDANTS REFERENCE	PRODUCT IMAGE
PRSL1002PI	A18	
PRSL1003PI		
PRSL1000PI	A19	
PRSL1001PI	A20	
PRSL1023PI	A4	
PRSL1010PI	A5	
PRGO0020PE	A16	
PRTA2030PI	A23 FOR USE WITH DOUBLE RUBBER	
PRTA2000PI		
PRTA2004PI		
PRTA2005PI		
PRTA2006PI		
PRTA2007PI		
PRTA2008PI		
PRSL8737PI	A17	
PRSL1009PI	A3	
PRSL1016PI	A1	
PRSL1027PI		
PRGA0015PE	A7	
PRPS0025PE	A11	
PRSL0145PE	-	
PRSL8736PI	A15	



Assembly Drawing

SPA SERIES

Pendant station for auxiliary control, sturdy, reliable and compact, designed for heavy industry.

Modular enclosure with actuators arranged on a double row to pair opposite functions and keep size compact.

- All materials and components used are wear resistant and ensure protection of the unit against water and dust.
- One or two speed switches with NO or NC contacts.
- Double switches with mechanical interlock to prevent simultaneous operation of opposite functions.

Ordering Information

SPA AUXILIARY CONTROL PENDANTS								
ACTUATORS	BODY	DESCRIPTION	PART NUMBER	1 SPEED	2 SPEED	DIRECTIONAL ARROWS	START/ STOP	E/STOP
3	4 way / holes	2x 1-SPEED 1NO/1NC PB (UP/DOWN) + 1NO/1NC E/STOP	SPA4B136	X		X		X
4		4x 1-SPEED 1NO/1NC PB (UP/DOWN/LEFT/RIGHT)	SPA4B6	X		X		
		2x 1-SPEED 1NO/1NC PB (UP/DOWN) + 1NO/1NC PB (START) + 1NO/1NC E/STOP	SPA4B16	X		X	X	X
		2x 1-SPEED 1NO/1NC PB (LEFT/RIGHT) + 2x 2-SPEED 2NO/1NC PB (UP/DOWN)	SPA4C6	X	X	X		
		2x 2-SPEED 2NO/1NC PB (UP/DOWN) + 1NO/1NC PB (BLACK) + 1NO/1NC E/STOP	SPA4C16		X	X		X
5	6 way / holes	4x 1-SPEED 1NO/1NC PB (UP/DOWN/LEFT/RIGHT) + 1NO/1NC E/STOP	SPA6B136	X		X		X
		2x 1-SPEED 1NO/1NC PB (LEFT/RIGHT) + 2x 2-SPEED 2NO/1NC PB (UP/DOWN) + 1NO/1NC E/STOP (+ BLANK PLUG)	SPA6C136	X	X	X		X
		4x 2-SPEED 2NO/1NC PB (UP/DOWN/LEFT/RIGHT) + 1NO/1NC E/STOP	SPA6D136		X	X		X
6		6x 1NO/1NC PB (BLACK)	SPA6B6	X				
7	8 way / holes	6x 1-SPEED 1NO/1NC PB (UP/DOWN/LEFT/RIGHT/TILT UP& DOWN) + 1NO/1NC E/STOP (+ BLANK PLUG)	SPA8B136	X		X		X
		4x 1-SPEED 1NO/1NC PB (LEFT/RIGHT/TILT UP&DOWN) + 2x 2-SPEED 2NO/1NC PB (UP/DOWN) + 1NO/1NC E/STOP (+ BLANK PLUG)	SPA8C136	X	X	X		X
6x 2-SPEED 2NO/1NC PB (6 DIRECTIONS) + 1NO/1NC E/STOP (+BLANK PLUG)		SPA8E136		X	X		X	
8x 1NO/1NC PB (BLACK)		SPA8B6	X					
8		6x 1-SPEED 1NO/1NC PB (6 DIRECTIONS) + 1NO/1NC PB (START) + 1NO/1NC E/STOP	SPA8B16	X		X	X	X
		6x 2-SPEED 2NO/1NC PB (6 DIRECTIONS) + 1NO/1NC PB (START) + 1NO/1NC E/STOP	SPA8E16		X	X	X	X
9	10 way / holes	6x 1-SPEED 1NO/1NC PB (6 DIRECTIONS) + 2x 1NO/1NC PB (START/STOP) + 1NO/1NC E/STOP (+BLANK PLUG)	SPA10B136	X		X	X	X
		6x 2-SPEED 2NO/1NC PB (6 DIRECTIONS) + 2x 1NO/1NC PB (START/STOP) + 1NO/1NC E/STOP (+BLANK PLUG)	SPA10E136		X	X	X	X
6x 1-SPEED 1NO/1NC PB (6 DIRECTIONS) + 3x 1NO/1NC PB (START/STOP/BLACK) + 1NO/1NC E/STOP		SPA10B16	X		X	X	X	
2x 1-SPEED 1NO/1NC PB (TILT UP/TILT DOWN) + 4x 2-SPEED 2NO/1NC (UP/DOWN/LEFT/RIGHT) + 3x 1NO/1NC PB (START/STOP/BLACK) + 1NO/1NC E/STOP		SPA10D16	X	X	X	X	X	
11	12 way / holes	10x 1-SPEED 1NO/1NC PB (1 & 2 ARROW UP/DOWN/LEFT/RIGHT, 1 ARROW TILT UP/DOWN) + 1NO/1NC E/STOP (+BLANK PLUG)	SPA12B136	X		X		X
12		12x 1-SPEED 1NO/1NC PB (1 & 2 ARROW LEFT/RIGHT/ROTATE L/R, 2 ARROW UP/DOWN/TILT UP& DOWN)	SPA12B6	X		X		
		10x 1-SPEED 1NO/1NC PB (1 & 2 ARROW UP/DOWN/TILT UP&DOWN, 1 ARROW LEFT/RIGHT) + 1NO/1NC PB (START) + 1NO/1NC E/STOP	SPA12B16	X		X	X	X
13	14 way / holes	6x 1-SPEED 1NO/1NC PB (UP/DOWN/LEFT/RIGHT/TILT UP&DOWN) + 6x 1NO/1NC PB (BLACK) + 1NO/1NC E/STOP (+BLANK)	SPA14B136	X		X		X
16	16 way / holes	14x 1-SPEED (1 & 2 ARROW UP/DOWN/LEFT/RIGHT/TILT UP&DOWN, 1 ARROW ROTATE LEFT/RIGHT) + 2x 1NO/1NC PB (HORN/START)	SPA16B6	X		X	X	X

- Short hand terms: PB = pushbutton, TILT UP = diagonal up right, TILT DN = diagonal down left, E/STOP = latching emergency stop button.
- For 12 way NPA check with EIC for availability.



SPA12B16

For 18 and 20 way/hole pendants **contact EIC.**

**IP65
RATED**

General Specifications

- Conformity to Standards: EN 60204-1, EN 60947-1 EN 60947-5-1 EN 60529 EN 418
- Operational ambient temperature: -25°C/+70°C
- Insulation category: Class II
- Operational ratings to AC-15: 380V 1.9A
- Connections: screw-type terminals
- Wires: 1x2.5 mm², 2x1.5 mm²
- Cable entry: Rubber cable sleeve (Ø 14 - 26 mm)

Sold under our standard conditions of sale

The SPA series feature a wide range of parts and accessories and can be **customised** to suit the client's application. All available options for the perfect pendant can be found on this page.

Contact EIC for custom pendant builds.

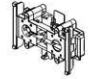
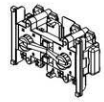


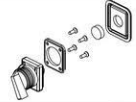
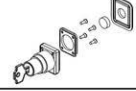
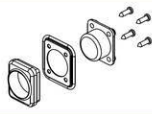





Custom SPA pendant shown

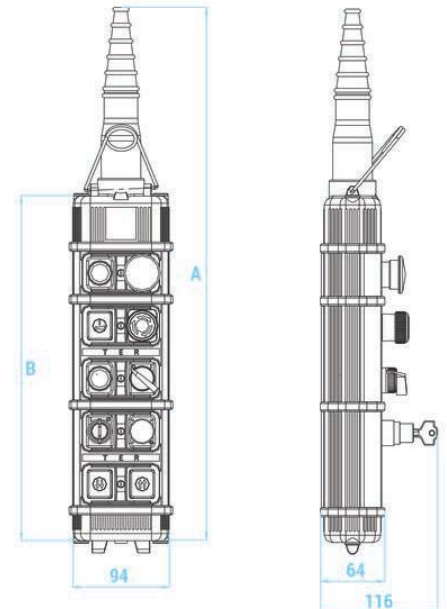


SPA4B136

Ordering Information

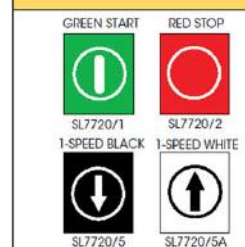
CONTACT BLOCKS		
DESCRIPTION	PART NUMBER	PRODUCT IMAGE
1-SPEED, 1NO+1NC + BA9S LAMP SOCKET (WITHOUT LAMP) (BA9 LED Lamps are available from EIC in a variety of colours and voltages)	SPA0073	
1-SPEED 1NO+1NC/1NO+1NC DOUBLE CONTACT BLOCK WITH MECHANICAL INTERLOCK	SPA0074	
2-SPEED 2NO+1NC/2NO+1NC DOUBLE CONTACT BLOCK WITH MECHANICAL INTERLOCK	SPA0075	
1-SPEED 2NO+2NC/2NO+2NC DOUBLE CONTACT BLOCK WITH MECHANICAL INTERLOCK	SPA0077	
ACTUATORS		
RUBBER FOR BUTTON	GU6031	
BUTTON HOLDER	SPA9284	
BUTTON (See WWW.EIC.NZ for the full range)	SL7720/___	
EMERGENCY STOP MUSHROOM HEAD STAY-PUT	SPA3500	
SELECTOR SWITCH 2-POSITION 0/1 MAINTAINED	SPA3540	
SELECTOR SWITCH 3-POSITION 1/0/2 MAINTAINED	SPA3543	
KEY SWITCH 2-POSITION 0/1 MAINTAINED KEY OUT POS-1	SPA3539	
BLANKING PLUG	SPA5557	
PILOT LIGHTS		
LENS RED	SPA3534	
LENS GREEN	SPA3535	
LENS YELLOW	SPA3542	
ACCESSORIES		
BUTTON FRAME WITH 2 HOLES	SPA5535	
BUTTON FRAME WITH 1 HOLE	SPA5537	
CABLE SLEEVE	PRSL0145PE	
HOOK	PRGA0012PE	

Pendant Dimensions (mm)



No. of actuators	Dimensions (mm)		Weight (kg)
	A	B	
4	370	184	0.700
6	422	236	0.880
8	474	288	1.040
10	526	340	1.300
12	578	392	1.380
14	630	444	1.550
16	682	496	1.710

Our range of pushbutton discs can be found at www.eic.nz to complete any custom layout. Some examples shown:



NPA SERIES

A pendant station for auxiliary control of industrial machines.

Sturdy and handy, NPA is a classic control station, available with dust-tight rubber pushbuttons, with up to 3 speed contact blocks and available with 2 to 10 actuators.

- All materials and components used are wear resistant and ensure protection of the unit against water and dust.
- One, two or three speed contact blocks with NO and/or NC contacts.
- Standard control stations are equipped with cable sleeve, hook and mechanical interlock to prevent simultaneous operation of opposite functions.

Ordering Information

NPA AUXILIARY CONTROL PENDANTS										
ACTUATORS	BODY	DESCRIPTION	PART NUMBER	1	2	3	DIRECTIONAL ARROWS	START/STOP	E/STOP	SWITCH
				SPEED	SPEED	SPEED				
2	2 way / holes	2x 1-SPEED 1NO BUTTONS (UP/DOWN)	NPA2A6DP	X			X			
		2x 2-SPEED 2NO/1NC BUTTONS (UP/DOWN)	NPA2C6DP		X		X			
		1x 1NO BUTTON (START) + 1NC E/STOP	NPA2A16DP					X	X	
3	3 way / holes	3x 1-SPEED 1NO BUTTONS (UP/TILT/DOWN)	NPA3A6DPTILT	X			X			
		2x 1-SPEED 1NO BUTTONS (UP/DOWN) + 1NC BUTTON (STOP)	NPA3A6DP	X				X		
		2x 1-SPEED 1NO BUTTONS (UP/DOWN) + 1NC E/STOP	NPA3A16DP	X			X			X
		2x 1-SPEED 1NO/1NC BUTTONS (UP/DOWN) + 1NC E/STOP	NPA3B16DP	X			X			X
		2x 2-SPEED 2NO/1NC BUTTONS (UP/DOWN) + 1NC E/STOP	NPA3C16DP		X		X			X
4	4 way / holes	4x 1-SPEED 1NO BUTTONS (4 DIRECTIONS)	NPA4A6DP	X			X			
		2x 1-SPEED 1NO BUTTONS (LEFT/RIGHT) + 2x 2-SPEED 2NO/1NC BUTTONS (UP/DOWN)	NPA4C6DP	X	X		X			
		4x 2-SPEED 2NO/1NC BUTTONS (4 DIRECTIONS)	NPA4D6DP		X		X			
		2x 1-SPEED 1NO (UP/DOWN) + 1NO BUTTON (START) + 1NC E/STOP	NPA4A16DP	X			X	X	X	
5	6 way / holes	4x 1-SPEED 1NO BUTTONS (4 DIRECTIONS) + 1NC E/STOP	NPA6A136DP	X			X			X
		2x 1-SPEED 1NO BUTTONS (LEFT/RIGHT) + 2x 2-SPEED 2NO/1NC BUTTONS (UP/DOWN) + 1NC E/STOP	NPA6C136DP	X	X		X			X
6	6 way / holes	4x 2-SPEED 2NO/1NC BUTTONS (4 DIRECTIONS) + 1NC E/STOP	NPA6D136DP		X		X			X
		6x 1-SPEED 1NO BUTTONS (UP/DOWN/LEFT/RIGHT/TILT UP/TILT DOWN)	NPA6A6DP	X			X			
7	8 way / holes	4x 1-SPEED 1NO BUTTONS (4 DIRECTIONS) + 1NO PB (START) + 1NC E/STOP	NPA6A16DP	X			X	X	X	
		6x 1-SPEED 1NO BUTTONS (6 DIRECTIONS) + 1NC E/STOP	NPA8A136DP	X			X			X
8	8 way / holes	4x 1-SPEED 1NO BUTTONS (4 DIRECTIONS) + 2x 2-SPEED 2NO/1NC (UP/DOWN) + 1NC E/STOP	NPA8C136DP	X	X		X			X
		2x 1-SPEED 1NO BUTTONS (TILT UP/TILT DOWN) + 4x 2-SPEED 2NO/1NC (4 DIRECTIONS) + 1NC E/STOP	NPA8D136DP	X	X		X			X
		6x 2-SPEED 2NO/1NC BUTTONS (6 DIRECTIONS) + 1NC E/STOP	NPA8E136DP		X		X			X
		8x 1-SPEED 1NO BUTTONS (UP/DOWN/RIGHT/LEFT/TILT UP/TILT DOWN/DOUBLE ARROW RIGHT/DOUBLE ARROW LEFT)	NPA8A6DP	X			X			
9	10 way / holes	6x 2-SPEED 2NO/1NC BUTTONS (6 DIRECTIONS) + 1NO 2-POS KEY SWITCH 0/1 + 1NC E/STOP	NPA8E126DP		X		X			X
		6x 3-SPEED 3NO BUTTONS (6 DIRECTIONS) + 1NO 2-POS MAINTAINED SWITCH 0/1 + 1NC E/STOP	NPA8J146DP			X	X			X
9	10 way / holes	6x 1-SPEED BUTTONS (6 DIRECTIONS) + 1NO BUTTON (START) + 1NC BUTTON (STOP) + 1NC E/STOP	NPA10A136DP	X			X	X	X	
		3x 3-SPEED 3NO BUTTONS (6 DIRECTIONS) + 2x 3-POS 2NO MAINTAINED SWITCHES + 1NC E/STOP	NPA10J13446DP			X	X			X
10	10 way / holes	9x 1NO BUTTONS (BLACK) + 1NC E/STOP	NPA10A16DP							X

For more NPA pendants go to www.eic.nz



General Specifications

- Conformity to Standards: EN 60204-1, EN 60947-1, EN 60947-5-1, EN 60529, EN 418
- Operational ambient temperature: -25°C/+70°C
- Insulation category: Class II
- Operational ratings to AC-15: 380V 1.9A
- Connections: screw-type terminals
- Wires: 1x2.5 mm², 2x1.5 mm²
- Cable entry 2-6 buttons rubber cable sleeve (Ø 10-18mm), 8-12 buttons rubber cable sleeve (Ø 17-26mm)

Sold under our standard conditions of sale



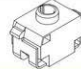








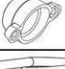



Custom NPA pendant shown

The NPA series feature a huge range of parts and accessories and can be **customised** to suit the client's application. All available options for the perfect pendant can be found on this page.

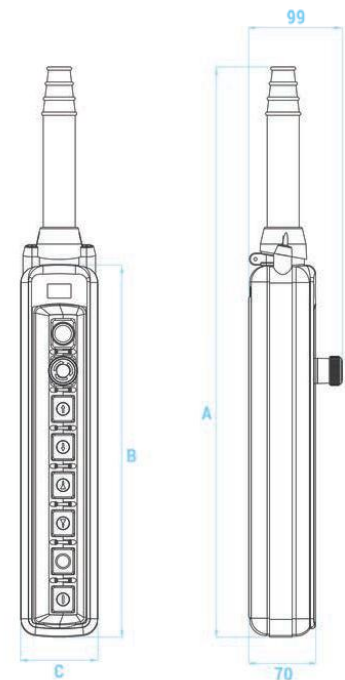
Contact EIC for custom pendant builds.

Ordering Information

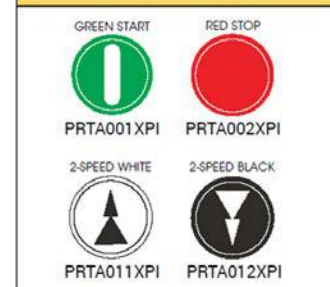
CONTACT BLOCKS		
DESCRIPTION	PART NUMBER	PRODUCT IMAGE
1 SPEED, 1NO+1NC+1NO SIMULTANEOUS SWITCH	NPA0504	
1 SPEED, 1NO+1NO+1NO SILVER CONTACTS	PRSL0537PI	
1 SPEED, 1NC+1NC+1NC SIMULTANEOUS SWITCH	NPA0508	
2 SPEEDS, 1NO+1NC+1NO STAGGERED SWITCH	NPA0505	
3 SPEEDS, 3NO STAGGERED SWITCH	NPA0507	
1NO CONTACT BLOCK	NPA0503	
1NC CONTACT BLOCK	NPA0502	
LAMP SOCKET BA9S - without lamp (BA9 LED lamps are available from EIC in a variety of colours and voltages)	NPA0501	
ACTUATORS		
DISC FOR DUST-TIGHT PUSHBUTTONS (see WWW.EIC.NZ for the full range)	PRTA ___ XPI	
DUSTPROOF PUSHBUTTON	NPA0550	
EMERGENCY STOP MUSHROOM HEAD STAYPUT	NPA0500	
BLANKING PLUG	NPA0517	
PILOT LIGHTS		
LENS RED	NPA0515	
LENS GREEN	NPA0516	
LENS YELLOW	NPA0521	
SELECTOR SWITCHES		
KEY SELECTOR SWITCH 2 OR 3 MAINTAINED POSITIONS, KEY OUT ZERO (0) POS	NPA0513	
SPARE KEY	PRTA7005PE	
SELECTOR SWITCH 2 OR 3 MAINTAINED POSITIONS	NPA0514	
SELECTOR SWITCH 2 OR 3 SPRING RETURN POSITIONS	NPA0519	
ACCESSORIES		
MECHANICAL INTERLOCK	NPA7816	
CABLE SLEEVE - 2-6 ACTUATORS	NPA0100	
CABLE SLEEVE - 8-12 ACTUATORS	NPA0105	
CABLE SLEEVE COLLAR - 2-6 ACTUATORS	NPA9735	
CABLE SLEEVE COLLAR - 8-12 ACTUATORS	NPA9740	
UPPER HOOK	PRGA0001PE	

Pendant Dimensions (mm)

No. of actuators	Dimensions (mm)			
	A	B	C	Weight (kg)
2	292	140	76	0.450
3	333	181	76	0.550
4	372	222	76	0.650
6	459	307	76	0.900
8	605	393	83	1.200
10	685	474	83	1.400



Our range of pushbutton symbol discs can be found at www.eic.nz to complete any custom layout. Some examples shown:



For our range of BA9 LEDs for the NPA series go to www.eic.nz

MIKE SERIES

Pendant station for auxiliary control of modern ergonomic shape, easy to handle, user friendly and sturdy. Mike is the result of careful analysis of ergonomic aspects and it is rich in high-performing features to suit the most demanding requirements.

- Features mechanical interlock to prevent simultaneous operation of opposite functions.
- 2 to 11 actuator pendants are available.

Ordering Information

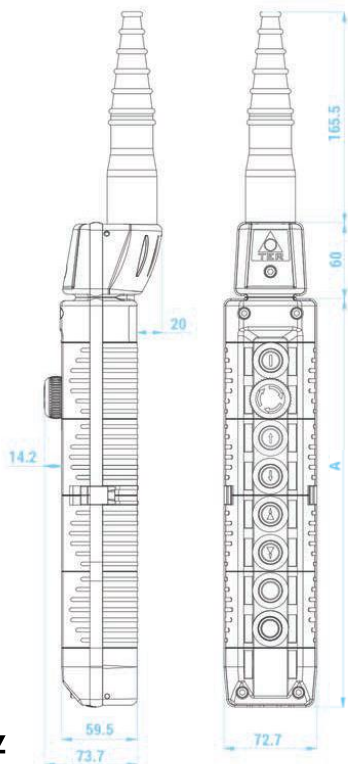
MIKE AUXILIARY CONTROL PENDANTS									
ACTUATORS	BODY	DESCRIPTION	PART NUMBER	1 SPEED	2 SPEED	DIRECTIONAL ARROWS	START / STOP	E/STOP	SWITCH
2	4 way / holes	2 x 1-SPEED 1NO BUTTONS (UP & DOWN)	F70Y4AKKZ	X		X			
		2 x 2-SPEED 2NO/1NC BUTTONS (UP & DOWN)	F70Y4CKKZ		X	X			
3		2 x 1-SPEED 1NO BUTTONS (UP & DOWN) + 1NC E/STOP	F70Y4AGKZ	X		X		X	
		2 x 1-SPEED 1NO BUTTONS (UP & DOWN) + 1NO 2-POS 0/1 SWITCH	F70Y4ALKZ	X		X			X
4		2 x 2-SPEED 2NO BUTTONS (UP & DOWN) + 1NC E/STOP	F70Y4CGKZ			X	X		X
		2 x 1-SPEED 1NO BUTTONS (UP & DOWN) + 1NO 2-POS 0/1 KEY-SWITCH + E/STOP	F70Y4AGJZ	X		X		X	X
		3 x 1-SPEED 1NO BUTTONS (UP, DOWN & HORN) + 1NC E/STOP	F70Y4AGKZ	X		X		X	X
		4 x 1-SPEED 1NO BUTTONS (4 DIRECTIONS)	F70Y4AZ	X		X			
		2 x 1-SPEED 1NO + 2 x 2-SPEED 2NO/1NC BUTTONS (4 DIRECTIONS)	F70Y4CZ	X	X	X			
		4 x 2-SPEED 2NO/1NC BUTTONS (4 DIRECTIONS)	F70Y4DZ		X	X			
5		5 way / holes	4 x 1-SPEED 1NO BUTTONS (4 DIRECTIONS) + 1NC E/STOP	F70Y5AGZ	X		X		X
			4 x 1-SPEED 1NO BUTTONS (4 DIRECTIONS) + 1NO START BUTTON + 1NC E/STOP	F70Y5AZ	X		X	X	X
	2 x 1-SPEED 1NO + 2 x 2-SPEED 2NO/1NC BUTTONS (4 DIRECTIONS) + 1NC E/STOP		F70Y5CGZ	X	X	X		X	
	4 x 2-SPEED 2NO BUTTONS (4 DIRECTIONS) + 1NC E/STOP		F70Y5DGZ		X	X		X	
6	8 way / holes	6 x 1-SPEED 1NO (6 DIRECTIONS)	F70Y8AKKZ	X		X			
7		6 x 1-SPEED 1NO (6 DIRECTIONS) + 1NC E/STOP	F70Y8AGKZ	X		X		X	
		4 x 1-SPEED 1NO + 2 x 2-SPEED 2NO/1NC BUTTONS (6 DIRECTIONS) + 1NC E/STOP	F70Y8CGKZ	X	X	X		X	
8		2 x 1-SPEED 1NO + 4 x 2-SPEED 2NO/1NC BUTTONS (6 DIRECTIONS) + 1NC E/STOP	F70Y8DGKZ	X	X	X		X	
		6 x 2-SPEED 2NO/1NC BUTTONS (6 DIRECTIONS) + 1NC E/STOP	F70Y8EGKZ		X	X		X	
		4 x 1-SPEED 1NO BUTTONS (4 DIRECTIONS) + 3x 1NO BUTTONS (START/WHITE/BLACK) + 1NC BUTTON (STOP)	F70Y8AZ	X		X		X	
		7 x 1-SPEED 1NO BUTTONS (BLACK SYMBOLS) + 1NC E/STOP	F70Y8AG	X				X	
		6 x 2-SPEED 2NO/1NC BUTTONS (6 DIRECTIONS) + 1NO HORN/START BUTTON + 1NC E/STOP	F70Y8EGKZ		X	X		X	
		11	12 way / holes	8 x 1-SPEED 1NO BUTTONS (6 DIRECTIONS + 2 ROTATE) + 1NO START + 1NC STOP BUTTONS + 1NC E/STOP	F70Y12AGKZ	X		X	X

Mike Series Part List see page: 13

Pendants can be **customised** to suit different applications - **Contact EIC for more information**



F70Y8CGKZ



Pendant Dimensions (mm)

No. of actuators	Dimensions (mm)	
	A	
4	201	
5	201	
8	321	
12	441	

IP66/67/69K RATED



F70Y5DGZ

General Specifications for Mike & Victor Series

- Conformity to Standards: EN 60204-1, EN 60947-1, EN 60947-5-1, EN 60947-5-5, EN 60529, ISO 13850
- Operational ambient temperature: -40°C/+80°C
- Insulation category: Class II
- IP Protection degree: Mike: IP66 / IP67 / IP69K, Victor: 1 to 4 actuators IP66 / IP67 / IP69K, 6 to 8 actuators IP65
- IK Protection degree: Mike: IK08
- NEMA protection degree: Mike & Victor (1-4 actuators) Type 1, 4 and 4X
- Operational ratings to AC-15: 250V 3A
- Connections: screw-type terminals
- Wires: 2x0.5mm² - 2x1.5 mm² - 1x2.5 mm²
- Mike cable entry rubber cable sleeve (Ø 8-26mm)
- Victor cable clamp M20 (Ø 10-14mm) & spiral cable clamp M20 (Ø 6-12mm)

Sold under our standard conditions of sale

Pendant and wall-mounted auxiliary control station, featuring an innovative ergonomic enclosure that is practical, wear resistant and can come with a magnetic mounting kit.

- Cable clamp can be installed at the top, at the bottom or on the back of the control station.
- 1NO or 1NC switches, LEDs 24/48 Vac/dc or 110/230 Vac and potentiometers.
- Mechanical interlock to prevent simultaneous operation of opposite functions.

Ordering Information

VICTOR AUXILIARY CONTROL PENDANTS									
ACTUATORS	BODY	DESCRIPTION	PART NUMBER	1 SPEED	2 SPEED	DIRECTIONAL ARROWS	START/STOP	E/STOP	SWITCH
1	Yellow 1 hole	1 x 1NO BUTTON (BLACK)	F70Y1A	X					
		1 x 1NC MUSHROOM E/STOP	F70Y1BG	X				X	
		1 x 1NC RECTANGULAR RED MOMENTARY BUTTON	F70Y1BP	X				X	
2	Yellow 2 hole	1 x 1NO BUTTON (NO SYMBOL) + 1NO 2-POS 0/1 SWITCH	F70Y2AL	X					X
		1 x 1NO BUTTON (UP) + 1NO 2-POS 0/1 SWITCH	F70Y2ALZ	X		X			X
		2 x 1-SPEED 1NO BUTTONS (UP & DOWN)	F70Y2AZ	X		X			
		2 x 2-SPEED 2NO BUTTONS (UP & DOWN)	F70Y2CZ		X	X			
3	Yellow 3 hole	2 x 1-SPEED 1NO BUTTONS (UP & DOWN) + 1NC E/STOP	F70Y3AGZ	X		X		X	
		3 x 1-SPEED 1NO BUTTONS (UP, DOWN & TILT) NO MECHANICAL INTERLOCK	F70Y3AZTILT	X		X			
		2 x 2-SPEED 2NO BUTTONS (UP & DOWN) + 1NC E/STOP	F70Y3CGZ		X	X		X	

VICTOR AUXILIARY CONTROL STATIONS									
ACTUATORS	BODY	DESCRIPTION	PART NUMBER	1 SPEED	2 SPEED	DIRECTIONAL ARROWS	START/STOP	E/STOP	SWITCH
1	Grey 1 hole	1 HOLE EMPTY BODY	F71G1						
		1 x 1NO BUTTON (BLACK)	F71G1A	X					
		1 x 1NO BUTTON (GREEN)	F71G1A-G	X				X	
	Yellow 1 hole	1 x 1NC RECTANGULAR RED MOMENTARY BUTTON	F71G1BP	X				X	
		1 HOLE EMPTY BODY	F71Y1						
		1 x 1NC E/STOP	F71Y1BG						X
		1 x 1NC E/STOP Ø40mm	F71Y1BH						X
Black 1 hole	1 x 1NC E/STOP KEY RELEASE	F71Y1BI					X		
2	Grey 2 hole	1 HOLE EMPTY BODY	F71B1						
		2 HOLES EMPTY BODY	F71G2						
		2 x 1NO BUTTONS (BLACK & WHITE)	F71G2A	X					
		2 x 1-SPEED 1NO BUTTONS (UP & DOWN)	F71G2AZ	X		X			
	2 x 1-SPEED 2NO BUTTONS (UP & DOWN)	F71G2AAZ	X		X				
Yellow 2 hole	1 x 1NO BUTTON (START) + 1 x 1NC BUTTON (STOP)	F71G2ABZ	X				X		
	2 x 2-SPEED 2NO BUTTONS (UP & DOWN)	F71G2CZ		X	X				
	2 HOLES EMPTY BODY	F71Y2							
Black 2 hole	2 HOLES EMPTY BODY	F71B2							
3	Grey 3 hole	3 HOLES EMPTY BODY	F71G3						
		3 x 1-SPEED 1NO BUTTONS (UP, DOWN & TILT) NO INTERLOCK	F71G3AZTILT	X		X			
		2 x 1NO BUTTONS (WHITE & BLACK) + 1NC E/STOP	F71G3AG	X				X	
		2 x 1-SPEED 1NO BUTTONS (UP & DOWN) + 1NC E/STOP	F71G3AGZ	X		X		X	
	1 x 1NO BUTTON (START) + 1 x 1NC BUTTON (STOP) + 1NC E/STOP + 2NO 2-POS ROTARY SWITCH	F71G3ABAALZ	X				X	X	
	Yellow 3 hole	3 HOLES EMPTY BODY	F71Y3						
2 x 1NO BUTTONS (BLACK & WHITE) + 1NC E/STOP		F71Y3AG	X					X	
Black 3 hole	2 x 1NO BUTTONS (UP & DOWN) + 1NC E/STOP	F71Y3AGZ	X		X		X		
4	Grey 4 hole	3 HOLES EMPTY BODY	F71B3						
		4 HOLES EMPTY BODY	F71G4						
	Black 4 hole	4 x 1-SPEED 1NO BUTTONS (4 DIRECTIONS)	F71G4AZ	X		X			
5	Grey 6 hole	2 x 1-SPEED 1NO BUTTONS (ROTATE LEFT/RIGHT) + 1NC BUTTON (STOP) + 1NC E/STOP	F71G4ABGZ	X		X	X	X	
		4 HOLES EMPTY BODY	F71B4						
6	Black 6 hole	4 x 1-SPEED 1NO BUTTONS (4 DIRECTIONS) + 1NC E/STOP	F71G6AGKZ	X		X		X	
		6 HOLES EMPTY BODY	F71G6						
7	Grey 8 hole	4 x 1-SPEED 1NO BUTTONS (4 DIRECTIONS) + 1NO BUTTON (START) + 1NC E/STOP	F71G6AGZ	X		X	X	X	
		6 HOLES EMPTY BODY	F71B6						
8	Black 6 hole	6 x 1-SPEED 1NO BUTTONS (6 DIRECTIONS) + 1NC E/STOP	F71G8AGKZ	X		X		X	
		8 HOLES EMPTY BODY	F71G8						
8	Black 6 hole	8 HOLES EMPTY BODY	F71B8						

F70Y3AGZ



IP66/67/69K
RATED

F71Y1BG



F71G2ABZ



F71G4ABGZ



For more information go to: www.eic.nz

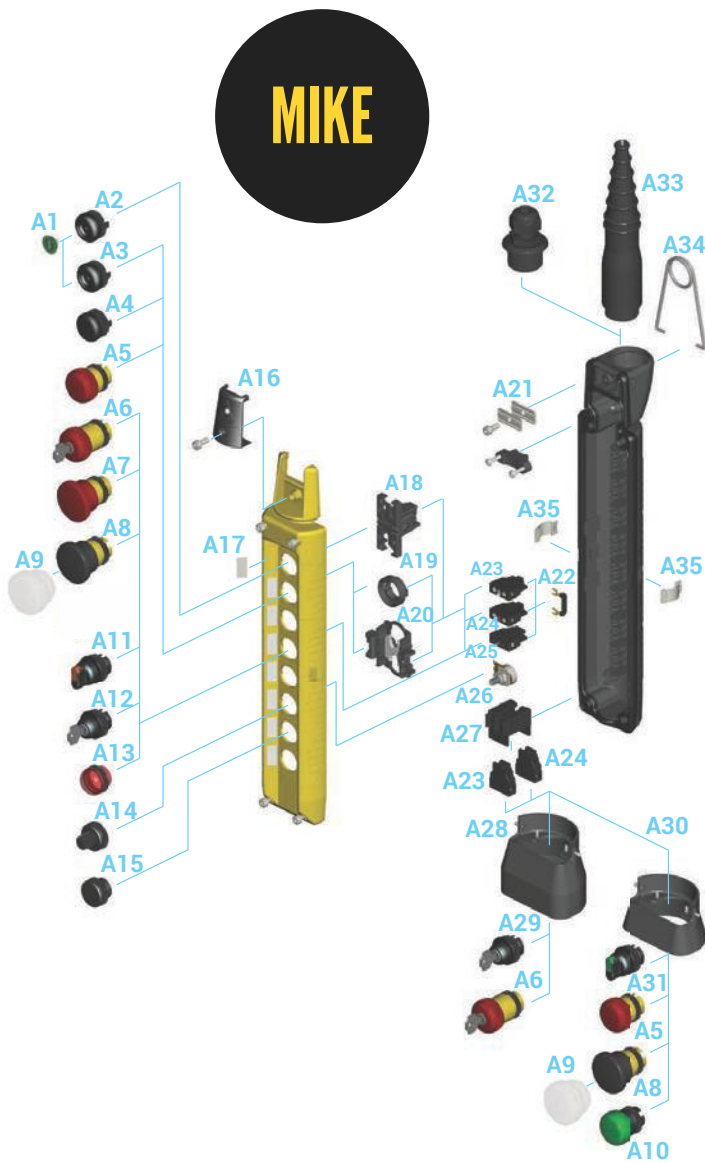
Victor Series Part List see page: 14

Pendants can be customised to suit different applications - Contact EIC for more information

MIKE & VICTOR SERIES

The Mike and Victor series feature a huge range of parts and accessories and can be **customised** to suit the client's application. All available options for the perfect pendant can be found on this page.

Contact EIC for custom pendant builds.

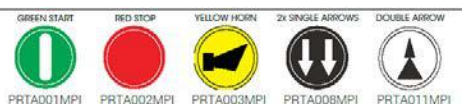


Assembly Drawing

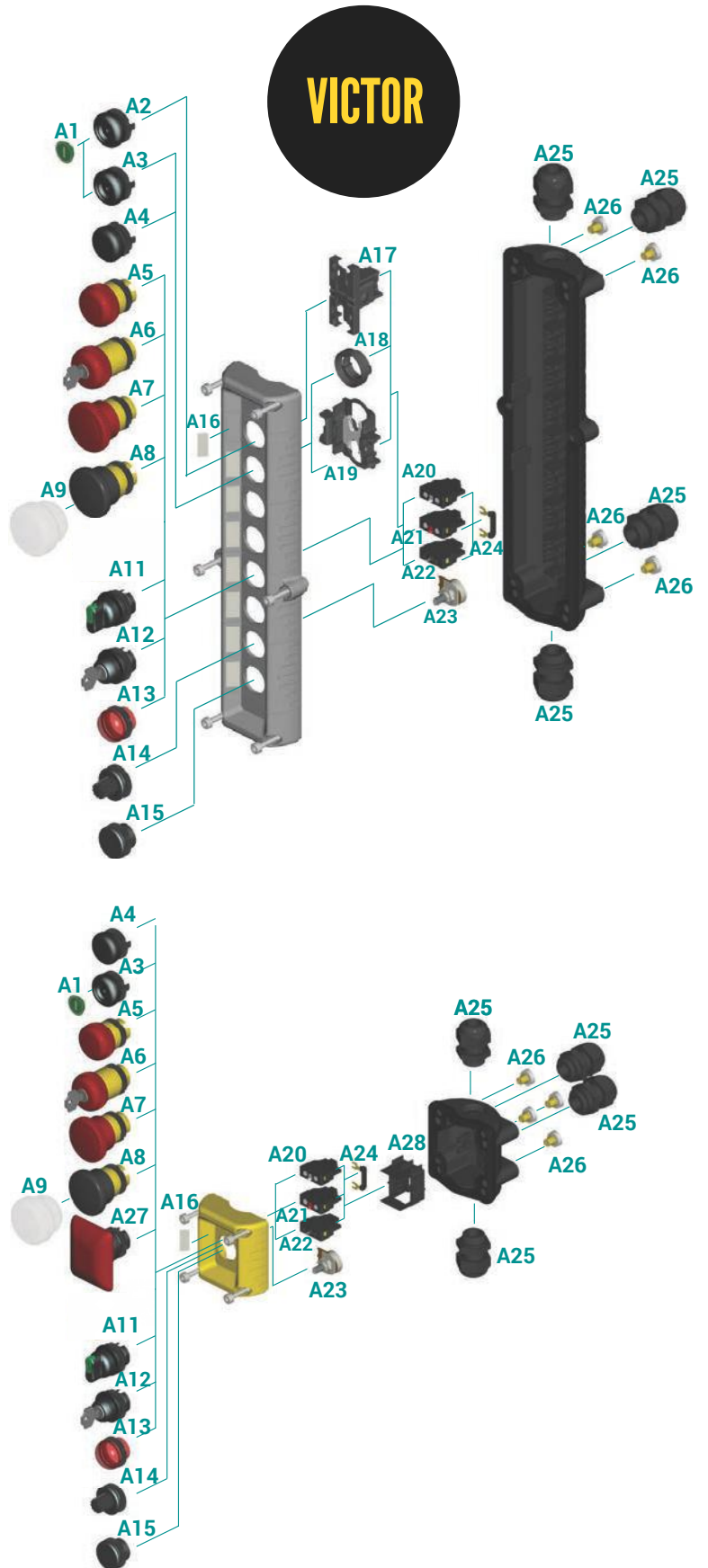
Ordering Information

CONTACT BLOCKS & LEDs	
MIKE PENDANTS REFERENCE	DESCRIPTION
A23	1NO CONTACT BLOCK
A24	1NC CONTACT BLOCK
A25	1NO CONTACT BLOCK
	1NC CONTACT BLOCK
ACTUATORS	
A1	DISC FOR PUSH BUTTONS (see WWW.EIC.NZ for full detail)
A3	1 SPEED PUSHBUTTON (WITHOUT DISC OR CONTACT)
	2 SPEED PUSHBUTTON (WITHOUT DISC OR CONTACT)
A15	BLANKING PLUG
PILOT LIGHTS (WITHOUT LED)	
A13	RED LENS
	GREEN LENS
	YELLOW LENS
	WHITE LENS
	BLUE LENS
MUSHROOM PUSHBUTTONS	
A5	MUSHROOM PUSHBUTTON - E/STOP RED LATCHING
A6	MUSHROOM PUSHBUTTON - E/STOP RED KEY RELEASE
A7	MUSHROOM PUSHBUTTON - E/STOP RED LATCHING Ø40MM
-	MUSHROOM RECTANGULAR PB - MOMENTARY VICTOR 1 HOLE
KEY SELECTOR SWITCHES	
A12 or A29	KEY SWITCH 2 POS MAINTAINED 0/1, KEY OUT 0
A12	KEY SWITCH 2 POS MAINTAINED 1/2, KEYOUT 1
	KEY SWITCH 3 POS MAINTAINED 1/0/2, KEY OUT 0
	KEY SWITCH 3 POS MAINTAINED 1/1+2/2, KEY OUT 1+2
SELECTOR SWITCHES	
A11	SELECTOR SWITCH 2 POS - SPRING RETURN 0/1 WHITE
	SELECTOR SWITCH 2 POS - MAINTAINED 0/1 WHITE
	SELECTOR SWITCH 2 POS - MAINTAINED 0/1 RED
A31	SELECTOR SWITCH 2 POS - MAINTAINED 0/1 TRANSPARENT GREEN
	SELECTOR SWITCH 2 POS - MAINTAINED 1/2 WHITE
	SELECTOR SWITCH 3 POS - SPRING RETURN 1/0/2 WHITE
	SELECTOR SWITCH 3 POS - MAINTAINED 1/0/2 WHITE
ACCESSORIES	
A19	SPACER FOR BUTTON/SWITCH
A20	MECHANICAL INTERLOCK
A27	1-2-3 SWITCH CONTACT HOLDER
A28	MIKE - LOWER PROTECTION LARGE
A30	MIKE - LOWER PROTECTION SMALL
A33	CABLE SLEEVE - ALPHA, MIKE & SPA
A34	SUSPENSION HOOK - MIKE & SPA
-	VICTOR - MAGNETIC MOUNTING KIT 6.5KG

Our range of pushbutton discs can be found at www.eic.nz to complete any custom layout. Some examples shown:



	PART NUMBER	VICTOR PENDANTS/ STATIONS REFERENCE	PRODUCT IMAGE
	PRSL1800PI	A20	
	PRSL1801PI	A21	
	PRSL1820PI	A23	
	PRSL1821PI		
	PRTA__MPI	A1	
	PRSL1811PI	A3	
	PRSL1810PI		
	PRSL1845PI	A15	
	PRSL1840PI	A13	
	PRSL1841PI		
	PRSL1842PI		
	PRSL1844PI		
	PRSL1846PI		
	PRSL1880PI	A5	
	PRSL1890PI	A6	
	PRSL1881PI	A7	
	PRSL1882PI	A27	
	PRSL1868PI	A12	
	PRSL1874PI		
	PRSL1870PI		
	PRSL1876PI		
	PRSL1855BIC	A11	
	PRSL1856BIC		
	PRSL1856ROC		
	PRSL1856VE		
	PRSL1862BIC		
	PRSL1857BIC		
	PRSL1858BIC		
	PRSL8512PI	A18	
	PRSL1850PI	A19	
	PRSL8750PI	A28	
	PRSL1831PI	-	
	PRSL1830PI	-	
	PRGA0012PE	-	
	PRSL1851PI	A26	



Assembly Drawing

PCP SERIES

The **direct control** pendants can be used for the motors of hoisting machines (hoists, windlasses, winches, etc.). Designed for heavy duty the PCP is aimed specifically for the industrial market.

- Materials and components are wear resistant and protect the equipment against water and dust.
- The disks with symbols and assemblies can be customised according to the customer's requirements.
- The PCP units feature one or two-speed snap action contact elements.
- The emergency STOP mushroom pushbutton complies with the EN 418 standard and is equipped with positive opening NC contact elements.

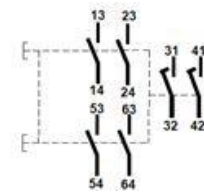


PCP81

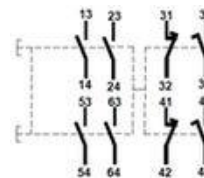
Ordering Information

PCP DIRECT CONTROL PENDANTS		
ACTUATORS	DESCRIPTION	PART NUMBER
2	2x 1-SPEED 3-POLE BUTTONS (UP/DOWN)	PCP81
3	2x 1-SPEED 3-POLE BUTTONS (UP/DOWN) + 3NC E/STOP	PCP82

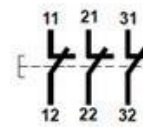
Contact Blocks



PCP0471



PCP0460

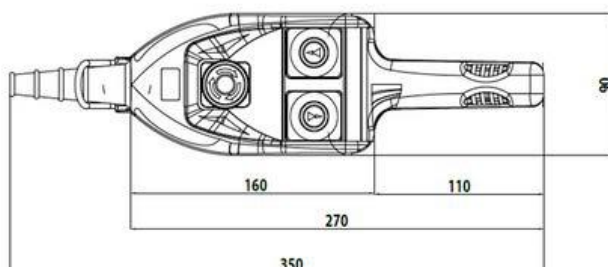
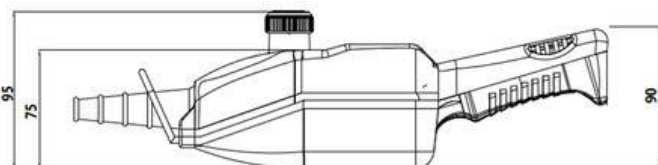


NPA0508

SPARE PARTS FOR THE PCP SERIES		
DESCRIPTION	PART NUMBER	PRODUCT IMAGE
DOUBLE CONTACT BLOCK 1-SPEED 3-POLE	PCP0471	
DOUBLE CONTACT BLOCK 2-SPEED 2-POLE	PCP0460	
EMERGENCY STOP MUSHROOM PUSHBUTTON - STAYPUT	PCP0600	
CONTACT BLOCK 3NC FOR E/STOP	NPA0508	
BLANKING PLUG ASSEMBLY	NPA0517	
CIRCULAR DISK FOR DUST-TIGHT PUSHBUTTON	PRTA ___ XPI	

Go to www.eic.nz for more info.

Pendant Dimensions (mm)



PCP82

**IP65
RATED**

General Specifications

- Conformity to Standards: EN 60204-1, EN 60947-1, EN 60947-5-1, EN 60529, EN 418, EN 50013
- Operational ambient temperature: -25°C/+70°C
- Insulation category: Class II
- Operational ratings to AC 3 – AC 4 (AC 23B NPA0508) 400V 10A 3kW
- Connections: screw-type terminals
- Wires: 2x1.5 mm² – 1x2.5 mm²
- Cable entry: rubber cable sleeve Ø6.5 to 19mm







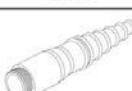
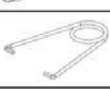
Sold under our standard conditions of sale

Pendant control station for **direct control** of industrial machines. Ergonomic shape, easy to handle, user-friendly and sturdy, Mike-D is the result of careful analysis of ergonomic aspects and it is rich in high-performing features to meet the most demanding requirements.

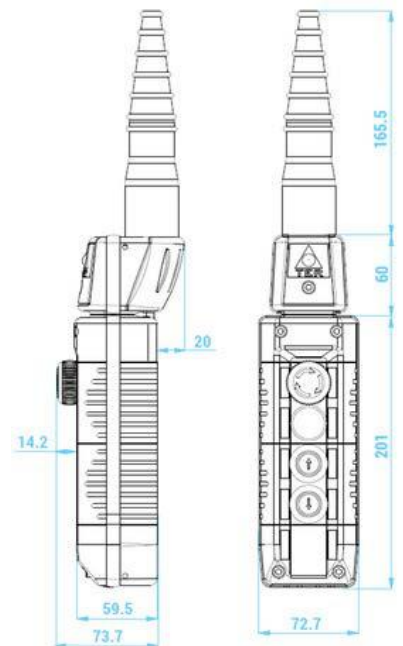
- Direct control pendant with 1-speed two-pole (1 or 2-phase) contacts and an emergency stop 3-pole contact block.
- Rubber pushbuttons with symbol disks to ensure protection against dust and prevent jamming when the control station is used in harsh environments.

Ordering Information

MIKE-D DIRECT CONTROL PENDANT		
ACTUATORS	DESCRIPTION	PART NUMBER
3	2x 1-SPEED 2-POLE BUTTONS (UP/DOWN) + 3NC E/STOP	F72AY00001

SPARE PARTS FOR THE MIKE-D SERIES		
DESCRIPTION	PART NUMBER	PRODUCT IMAGE
CONTACT BLOCK 1-SPEED 2-POLE NO	PRSL1900PI	
CONTACT BLOCK 3NC FOR E/STOP	PRSL1902PI	
EMERGENCY STOP MUSHROOM PUSHBUTTON LATCHING	PRSL1880PI	
DISC FOR PUSHBUTTONS (see WWW.EIC.NZ for full details)	PRTA___MPI	
1-SPEED PUSHBUTTON (WITHOUT DISC OR CONTACT)	PRSL1811PI	
BLANKING PLUG	PRSL1845PI	
CABLE SLEEVE	PRSL0145PE	
HOOK	PRGA0012PE	

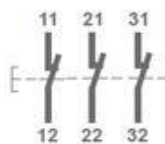
Pendant Dimensions (mm)



Contact Blocks



PRSL1900PI



PRSL1902PI



F72AY00001

General Specifications

- Conformity to Standards: EN 60204-1, EN 60947-1, EN 60947-3, EN 60529 ISO 13850
- Operational ambient temperature: -25°C/+70°C
- Insulation category: Class II
- IP protection degree: IP66, IP67 and IP69K,
- IK Protection degree: IK09
- Operational ratings to AC 3 – AC 4 (PRSL1900PI), AC 23B (PRSL1902PI): 400V 10A 3kW
- Connections: screw-type terminals
- Wires: 2x1.5 mm² – 1x2.5 mm²
- Cable entry: Rubber cable sleeve (Ø 8-26mm)

FOOT SWITCHES

Footswitch for auxiliary control of industrial machines. It acts on the machine motor through a power interface, such as a contactor.

Ordering Information

FOOT SWITCHES		
DESCRIPTION	CONTACTS	PART NUMBER
PLASTIC FOOTSWITCH WITH GUARD - SINGLE		
2 POSITION, SPRING RETURN	1NO/1NC	6121
2 POSITION, LATCHING	1NO/1NC	6121/LATCH
2 POSITION, SPRING RETURN	2NO/2NC	6122
PLASTIC FOOTSWITCH WITH GUARD - DOUBLE		
2 POSITION, SPRING RETURN	1NO/1NC (PER PEDAL)	6131
REPLACEMENT CONTACT BLOCK		
2 POSITION, SNAP ACTION	1NO/1NC	SL0036

Replacement contact block also suits X-ROD & GF4C limit switches

- Extreme temperature resistance: -25°C to +70°C.
- Materials and components are shock and wear resistant.
- Mechanical life of switches: 1 million operations
- Positive opening NC contact for safety functions

6121



**IP53
RATED**



6131

General Specifications

- Conformity to Standards: EN 60204-1, EN 60947-1, EN 60947-5-1, EN 60529, EN 418
- Operational ambient temperature: -25°C / +70°C
- Insulation category: Class I
- IP protection degree: IP 53
- Operational rating to AC 15: 250Vac 10A
- Connections: screw-type terminals
- Wires: 2x1.5 mm² - 1x2.5 mm²
- Cable entry: cable clamps M20

X-ROD TYPE

Position limit switches are commonly used in industrial and construction lifting plants with winches and machine tools, in the automation industry and in stage technology in particular to control hoists.

Ordering Information

POSITION LIMIT SWITCHES		
DESCRIPTION	TYPE	PART NUMBER
X-FSC SERIES THERMOPLASTIC, 4 POSITION, FIXED	X-ROD	PF33752100
7551 SERIES DIE-CAST ALUMINUM ALLOY, 4 POSITION, FIXED + DIRECTION INDICATION	X-ROD	PF26755100
ARKE SERIES THERMOPLASTIC, 3 POSITION, SPRING RETURN + DIRECTION INDICATION	ROD WITH ROLLER	F202210001
ARKE SERIES THERMOPLASTIC, 4 POSITION, FIXED + DIRECTION INDICATION	X-ROD FREE ROTATION	F201120001
SPARE PARTS		
ACTUATOR HEAD WITH CROSS RODS	SUITS: PF33752100	PF337521TE
ACTUATOR HEAD ONLY	SUITS: PF26755100	PF267551TE
SPARE ROD ARM 200mm LONG	SUITS: PF33752100/PF26755100	PRTO3006PE
CONTACT BLOCK 2 POSITION, 1NO/1NC SNAP ACTION	SUITS: PF33752100/PF26755100	SL0036

Replacement contact blocks also suit PF2C/GF4C limit switches



PF26755100

**IP66
RATED**

Conformity to Standards:
EN 60204-1, EN 60947-1,
EN 60947-5-1, EN 60529

PF33752100 & PF26755100 Operational Ratings AC-15: 250VAC, 3A

- Operational ambient temperature: -40°C/+70°C
- Insulation category: Class I Aluminum, Class II Thermoplastic
- Cable entry: cable clamp M20
- Operation frequency: 3600 operations/hour max

F202210001 & F201120001 Operational Ratings: AC-15: 250VAC, 6A

- Operational ambient temperature: -53°C/+80°C
- NEMA Protection degree: Type 1
- Insulation category: Class II
- Cable entry: cable clamp M20
- Maximum operation speed: 3 m/s
- Protection degree: IP65, IP66, IP67 with dedicated cable clamp M20

**IP65
RATED**

PF33752100



**IP66
RATED**

F202210001





ROTARY LIMIT SWITCHES

Rotary limit switches are used in industrial and construction lifting plants to control gantry cranes, track cranes, tower cranes and winches for construction sites. In the automation industry they are used to command and control systems to manage machines and processes. In stage technology to control the equipment used to move stage sets, curtains etc.

Base Series

The Base series rotary limit switch used to control and measure the movement of industrial machines. Its **compact** size makes it suitable for use in narrow spaces.

Ordering Information

BASE SERIES			CAM TYPE				
REV RATIO	NUMBER OF SWITCHES	MAX RPM	7140		7141		7144
			PART NUMBER				
			STANDARD	GOLD CONTACTS	STANDARD	GOLD CONTACTS	STANDARD
1:15	2	800	3001/7140		3001/7141	3001/7141G	3001/7144
1:15	4				43001/7141	43001/7141G	
1:25	2		3011/7140	3011/7140G	3011/7141	3011/7141G	
1:25	4				43011/7141	43011/7141G	
1:50	2		3021/7140	3021/7140G	3021/7141	3021/7141G	
1:50	4				43021/7141	43021/7141G	
1:75	2				3031/7141	3031/7141G	
1:75	4				43031/7141	43031/7141G	
1:100	2				3041/7141	3041/7141G	
1:150	2				3051/7141	3051/7141G	

For further technical data go to www.eic.nz



**IP66/67/69K
RATED**

General Specifications

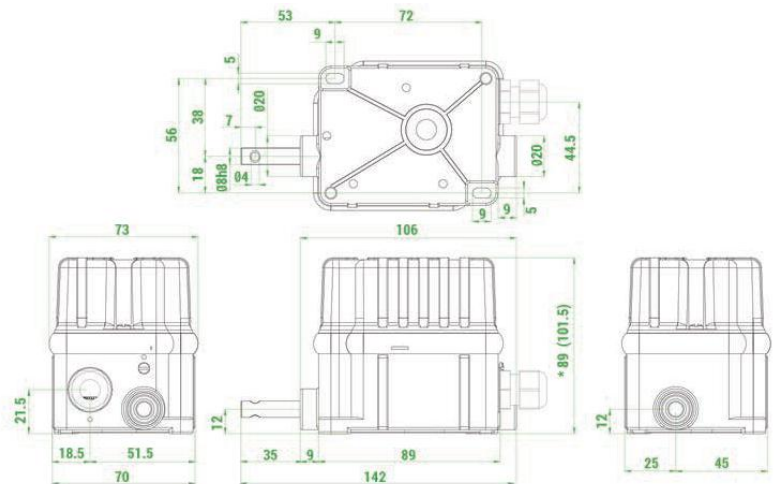
- Revolution ratios: from 1:15 to 1:150. Other ratios contact EIC.
- Number of outputs: 1.
- Snap action switches with INO+INC contacts for auxiliary control
- Insulation category: Class II (double insulated).
- Cable entry: cable clamp M16.
- Operational ambient temperature: -40°C/+80°C.
- Maximum rotation speed: 800 rpm.

Worm Gear: Switch-Operating Control Cams

Cam		Switching angle	Code
	1 point	20.5° ±0.5°	7140
	60° sector	78.0° ±0.5°	7141
	180° sector	199.5° ±0.5°	7144

Customised cam sets available on request

Overall Dimensions (mm)



Key: * 2 switch dimensions
key: () 4 switch dimensions



2 switches



4 switches

Auxiliary control switch specifications:

- Operational ratings to AC-15: 250V 3A.
- Rated thermal current: PRSL0003XX: 5A.
- Mechanical life: Standard 1x10⁶ / Gold 3x10⁵ operations.
- Connections: 6.3mm Faston tags.
- GORE anti-moisture vent glands are available from EIC.



For other rotary limit switch options eg: Fox Series featuring 4 switches can be found at www.eic.nz

ROTARY LIMIT SWITCHES

PF2C (2 switch) & GF4C (4 switch) Series

- The PF2C is used to control the movement of industrial machinery and is suitable for **heavy duty operation**. It operates as an auxiliary controller of electrical motors through a power interface, such as a contactor or PLC.
- The GF2C is used to control and measure the movement of industrial machines or the position of the nacelle or pitch angle of wind turbines.
- Rotary limit switches are available with couplings, pinion gears or flanges for direct coupling to the motor, plates with universal adapter to replace existing systems, cable clamps or dedicated connectors. **Contact EIC for options.**
- Each cam can be set with great accuracy thanks to the cam adjusting screws.
- All NC contacts are the positive opening type for safety functions.
- The shafts are made of high resistance stainless steel AISI 303. Gears and driving bushes are made of self-lubricating techno-polymers suitably chosen to reduce the wear to a minimum and to maintain the accuracy of the couplings over time.
- All the materials and components used are weather resistant and ensure protection of the units against the penetration of water and dust.

Ordering Information

PF2C & GF4C SERIES			CAM TYPE		
REV RATIO	NUMBER OF SWITCHES	MAX RPM	7140	7141	7144
			PART NUMBER		
1:1	4	800	3297/7140	3297/7141	3297/7144
1:5			3321/7140	3321/7141	
1:10			3351/7140	3351/7141	
1:15				3375/7141	
1:20			3405/7140		
1:25	2			3111/7141	
1:25	4		3429/7140	3429/7141	
1:50	4		3579/7140	3579/7141	
1:75	4		3609/7140		
1:100	2		3141/7140	3141/7141	
1:100	4		3633/7140	3633/7141	
1:150	2			3151/7141	
1:150	4		3693/7140	3693/7141	
1:200	4		3753/7140		
1:250	2		3172/7140	3171/7141	
1:250	4		3813/7140	3171/7141	
1:300	4			3873/7141	
1:400			4011/7140		
1:500			4107/7140		
1:600			4137/7140		
1:700		4143/7140			
1:800		4161/7140			
1:900		4167/7140			



PF2C

- Revolution ratios: from 1:1 to 1:969. PF2C 1:1 to 1:295.
- Number of outputs: 1. GF2C up to 2 outputs available on request.
- Snap action switches with INO+INC contacts or slow action switches with INC contact for auxiliary control.
- Insulation category: Class II (double insulated).
- Cable entry: cable clamp M20.
- Protection rated: IP65.
- Operational ambient temperature: -25°C/+70°C.

Auxiliary control switch specifications:

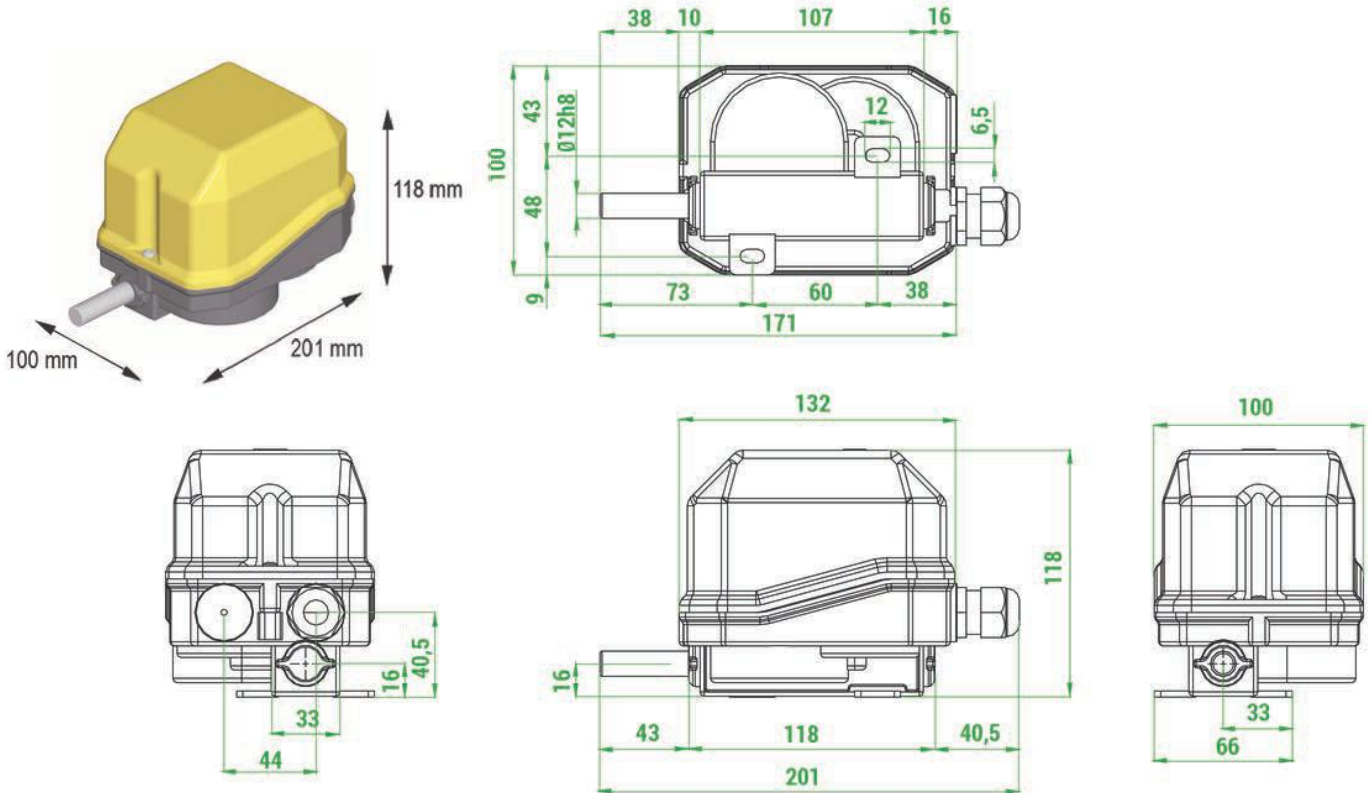
- Operational ratings to AC-15: 250V 3A.
- Rated thermal current: 10A.
- Mechanical life: 1x10⁶ operations.
- Connections: screw-type terminals.

GORE anti-moisture vent glands are available from EIC.

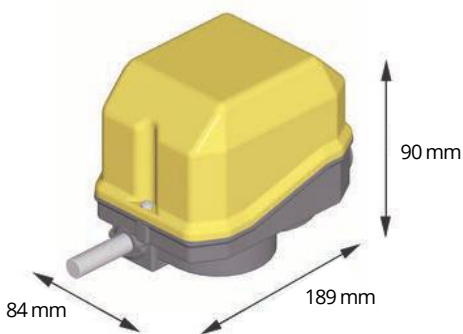
Conformity to standards:

EN 60204-1, EN 60947-1,
EN 60947-5-1, EN 60529

Overall Dimensions (mm) GF4C Series



Overall Dimensions (mm) PF2C Series



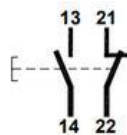
For other rotary limit switch options eg: Top Series featuring 12 switches can be found at www.eic.nz

Ordering Information

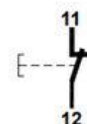
REPLACEMENT CONTACT BLOCKS PF2C & GF4C	
DESCRIPTION	PART NUMBER
2 POSITION, SNAP ACTION 1NO/1NC	SL0036
1 POSITION, SLOW BREAK 1NC	SL0037

The snap action single switch SL0036 has 1NO/1NC change over contacts with 2 connecting terminals each. The slow action single switch SL0037 has 1NC contact (the positive opening operation type).

The switches have the following reference for internal wiring.



SL0036



SL0037

ROTATING COLLECTORS

Rotating collectors are used in industrial and construction lifting plants for supplying motors of crane, cable winders and small jib cranes.

- Slip ring collectors are sets of rings coupled with brushes (phosphor bronze) designed to allow current to pass from a fixed to a rotating part.
- These units are suitable only for transmitting currents with 50/60Hz supply frequency.
- Each series of slip ring collectors have specific features allowing you to choose the limit switch that best suits your specific need.
- The 10A/30A and 50A enclosures have small downward holes to allow air circulation and the lower support plate is provided with three holes to drain the moisture which may form inside the unit.

Ordering Information

SLIP RING COLLECTORS WITH ENCLOSURE		
NUMBER OF RINGS	RING CURRENT CONFIGURATION	PART NUMBER
3	3x 30A	PF2303B001
	3x 50A	PF2203P001
4	4x 30A	PF2304B001
	4x 50A	PF2204P001
5	4x 30A + 1x 10A	PF2305B001
	5x 30A	PF2305B002
	5x 50A	PF2205P001
6	4x 30A + 2x 10A	PF2306B003
	6x 30A	PF2306B002
	6x 50A	PF2206P001
7	4x 30A + 3x 10A	PF2307B002
	7x 30A	PF2307B001
	7x 50A	PF2207P001
8	4x 30A + 4x 10A	PF2308B001
	8x 30A	PF2308B003
	8x 50A	PF2208P001
9	4x 30A + 5x 10A	PF2309B001
	5x 30A + 4x 10A	PF2309B010
	9x 30A	PF2309B002
	9x 50A	PF2209P001
10	4x 30A + 6x 10A	PF2310B001
	10x 30A	PF2310B003
	10x 50A	PF2210P001
11	4x 30A + 7x 10A	PF2311B001
12	4x 30A + 8x 10A	PF2312B001
	8x 30A + 4x 10A	PF2312B017

10A / 30A

- Available 30A line rings only or with 30A line rings and 10A auxiliary rings.
- Extreme temperature resistance: -25°C to +70°C.
- Insulation category: Class I.
- Cable entry: cable clamps M20-M25.
- Overall dimensions including the rotor shaft- depending on the number and type of rings (H x L x W). See www.eic.nz for more details.
10A-30A: min. 178 x 249 x 135mm - max. 178 x 553 x 135mm
- Operational ratings: 400Vac 10-30A.
- Max RPM: 3 rev./min.
- Conformity to Standards: EN 60204-1, EN 60309-1, EN 60529.



**IP22
RATED**

50A

- Extreme temperature resistance: -25°C to +70°C.
- Insulation category: Class I.
- Cable entry: cable clamps M20-M25.
- Overall dimensions including the rotor shaft- depending on the number and type of rings (H x L x W). See www.eic.nz for more details.
min. 203 x 249 x 150mm - max. 203 x 522 x 150mm
- Operational ratings: 400Vac 50A.
- Max RPM: 3 rev./min.
- Conformity to Standards: EN 60204-1, EN 60309-1, EN 60529.





PF21270101

10A

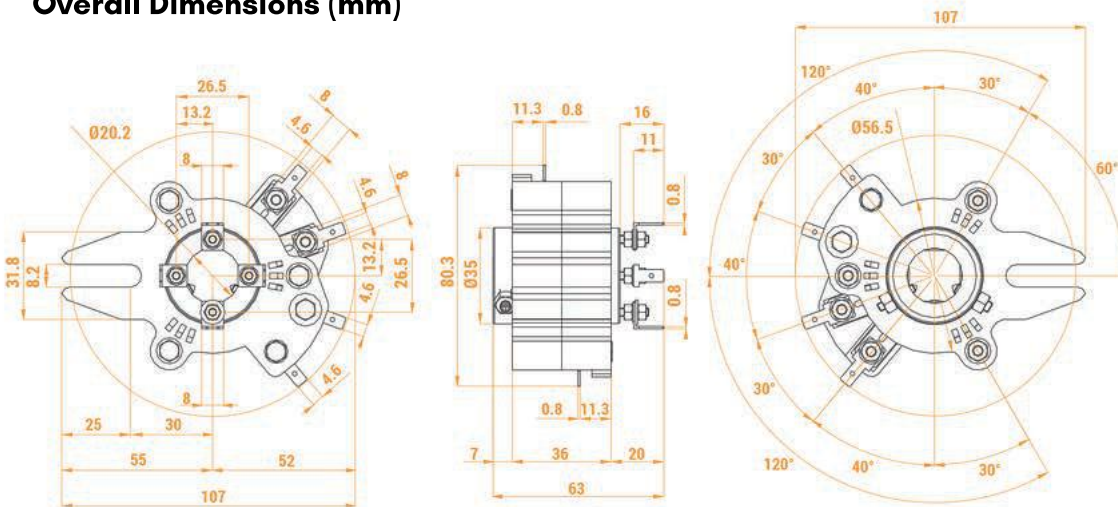
- The 10A slip ring collectors are used mainly on small jib cranes as they have only 4 rings.
- Extreme temperature resistance: -25°C to +70°C.
- Comes with driving slots and coupling flange.
- IP protection degree: IP00.
- Insulation category: Class I.
- Operating positions: any position.
- Overall dimensions- (H x L x W) 107 x 80.5 x 63mm
- Operational rating: 400Vac 10A.
- 3 Phase + Earth
- Max RPM: 3 rev./min.
- Connections: 6.3mm Faston taps.
- Conformity to Standards: EN 60204-1, EN 60309-1, EN 60529.

Ordering Information

SLIP RING COLLECTOR		
NUMBER OF RINGS	RING CURRENT CONFIGURATION	PART NUMBER
4	4x 10A	PF21270101



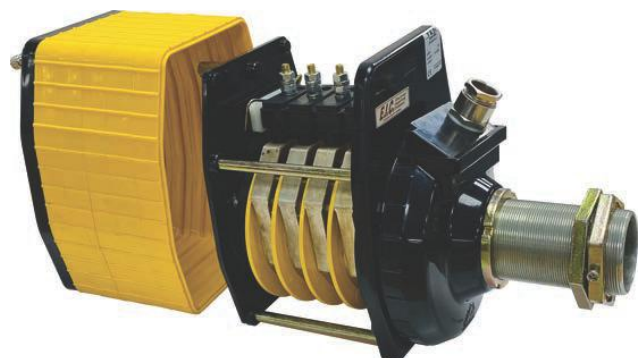
Overall Dimensions (mm)



10/30A or 30A Model



50A Model



BRINGING YOU THE BEST BRANDS:



Electrical Importing Company Limited

(09) 634 2978 | www.eic.nz

**117A Captain Springs Rd, Onehunga,
Auckland 1061**

PO Box 13 872, Auckland 1643, NZ