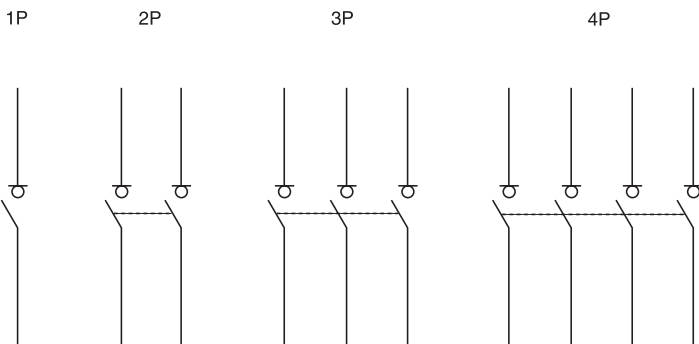


COMMAND

AC switch disconnectors

TECHNICAL DATA							
		In<63A		In≥63A			
Standard:		EN 60947-3		EN 60947-3			
Rated operating voltage (Ue):	(V)	240 - 415 a.c.		240 - 415 a.c.			
Rated insulation voltage (Ui):	(V)	500 a.c.		500 a.c.			
Rated impulse withstand voltage (Uimp):	(kV)	4		4			
Rated frequency:	(Hz)	50 / 60		50 / 60			
Rated current (In):	(A)	32	40	63	80	100	125
Utilization category:		AC-23B		AC-22A			
Rated closing capacity:	(A)	320	400	189	240	300	375
Rated breaking capacity:	(A)	256	320	189	240	300	375
Rated short-time current (Icw):	(A)	384	480	756	960	1200	1500
Rated conditional short-circuit current (Icc):	(kA)						
	MTC45	4.5	3	3	3	3	3
	MTC 60 - MT 60	4.5	3	3	3	3	3
	MTC 100 - MT 100	4.5	3	3	3	3	3
	MT 250	4.5	3	3	3	3	3
	MTHP 160 - MTHP 250	3	3	3	3	3	3
Power loss per pole:	(W)	0.8	1.5	2	3.2	5	6
Screwdriver suggested:		PZ2		Philips			
Rated tightening torque:	(Nm)	2		2,5			
Connection:	cable section (mm ²)	rigid	flexible	≤ 1x35 - ≤ 2x16 - ≤ 1x16+2x10		≤ 1x50 - ≤ 2x25 - ≤ 3x16	
				≤ 1x35 - ≤ 2x16 - ≤ 1x16+2x10		≤ 1x70 - ≤ 2x35 - ≤ 2x25+1x16	
Suitable accessory:		GW 96 001 (position contact)		GW 96 001 (position contact)			
Double connection (cable + fork busbar):		YES (only downstream)		YES (upstream and downstream)			
Lockable:		with GW 96 041 (padlocking lever block)		with GW 96 041 (padlocking lever block)			

Circuit diagrams

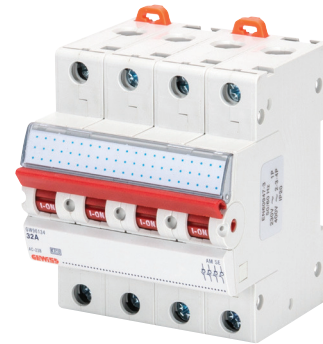


GW 96 104
GW 96 105
GW 96 146
GW 96 147
GW 96 148
GW 96 149

GW 96 114
GW 96 115
GW 96 156
GW 96 157
GW 96 158
GW 96 159

GW 96 124
GW 96 125
GW 96 166
GW 96 167
GW 96 168
GW 96 169

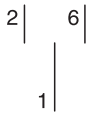
GW 96 134
GW 96 135
GW 96 176
GW 96 177
GW 96 178
GW 96 179



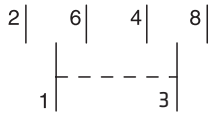
Lever switches

TECHNICAL DATA			
Standards:		EN 60669-1	
Rated operating voltage (Ue):	(V)	250 a.c.	
Rated frequency:	(Hz)	50/60	
Rated operating current (Ie):	(A)	16	32
Device power loss:	(W)		
GW 96 551		0.4	-
GW 96 552		0.8	-
GW 96 553		0.4	-
GW 96 554		0.8	-
GW 96 555 - GW 96 556		0.4	2.8
Operating temperature:	(°C)	5...40	
Maximum cable section:	(mm ²)	6 (flexible) 10 (rigid)	
Lockable:		with GW 96 041 (padlocking lever block)	

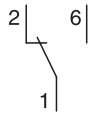
Circuit diagrams



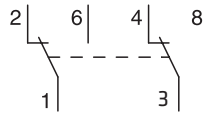
GW 96 553



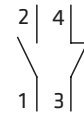
GW 96 554



GW 96 551



GW 96 552



GW 96 555
GW 96 556



Rotary switches

TECHNICAL DATA			
Standards:		EN 60947-3	
Rated operating current (Ie):	(A)	16	
Rated operating voltage (Ue):	(V)	230 - 690 a.c.	
Category of use:		AC3 (for line switches only)	
Rated power in AC3:	(kW)	230V	3
		400V	5.5

Circuit diagrams

Voltmeter switch (4 positions)
3 phase voltages + position 0

GW 96 851

Voltmeter switch (4 positions)
3 line voltages + position 0

GW 96 852

Voltmeter switch (7 positions)
3 line voltages
+ 3 phase voltages + position 0

GW 96 853

Ammeter switch (4 positions)
3 line currents + position 0

GW 96 856

Line switch with 2 positions

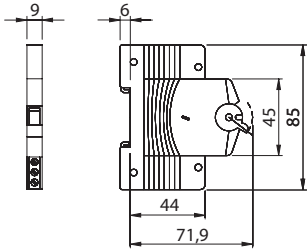
GW 96 951

Line switches with 3 positions

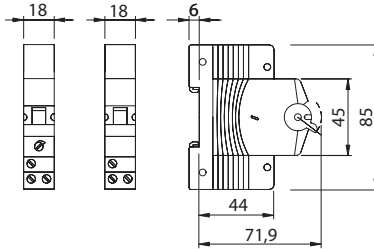
GW 96 952 - GW 96 953

Dimension tables

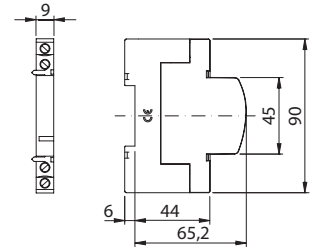
AUXILIARY CONTACTS FOR MTC-MT-MTHP-MDC



RELEASES FOR MTC-MT-MTHP-MDC

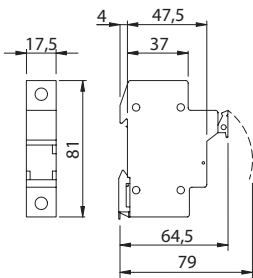


AUXILIARY CONTACTS AND RELEASES FOR SD

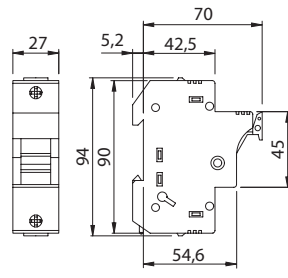


DISCONNECTABLE FUSE HOLDERS

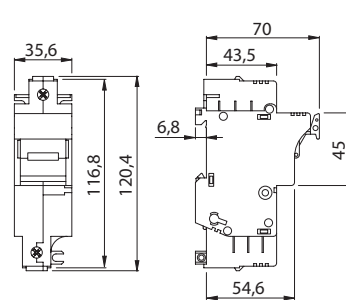
AC Fuse holders



For fuses 8,5 x 31,5 - 10,3 x 38



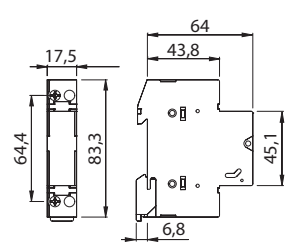
For fuses 14 x 51



For fuses 22 x 58

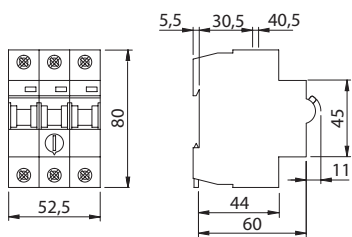
DC Fuse holders

Compact fuse holder

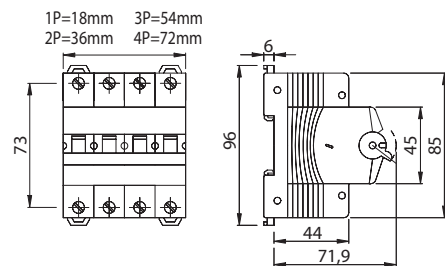


For fuses 10,3 x 38

MOTOR PROTECTION SWITCHES

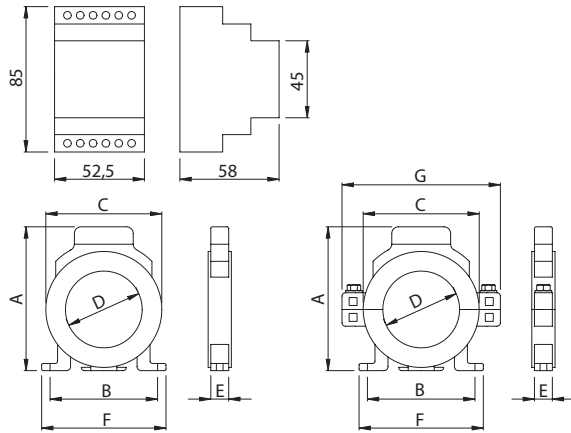


AC SWITCH DISCONNECTORS



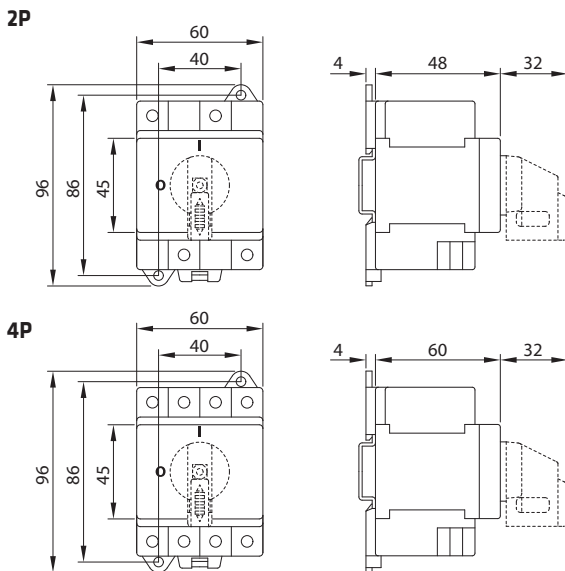
MODULAR ACCESSORIES

RESIDUAL CURRENT RELAY AND TOROIDS

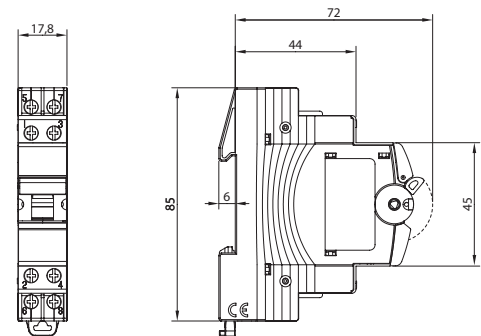


Code	D	A	B	C	E	F	G
GW 96 332	35	118	90	78,5	27	104	
GW 96 333	80	163	110	114,5	27	117	
GW 96 334	110	198	140	150,5	32	155	
GW 96 335	210	298	210	250,5	32	227	
GW 96 336	110	198	140	150,5	32	155	198
GW 96 337	210	298	210	250,5	32	227	296

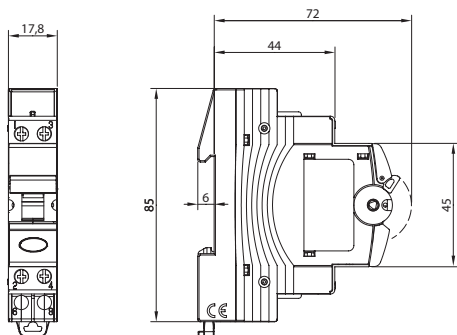
DC ROTARY SWITCH DISCONNECTORS



ISOLATING SWITCHES AND LEVER SWITCHES



ON-OFF SWITCHES WITH INDICATOR LAMP



ROTARY SWITCHES

