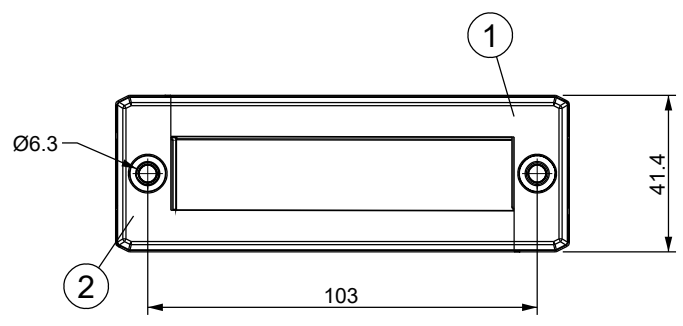
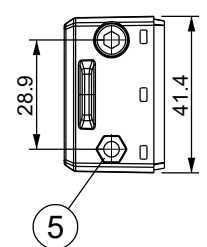
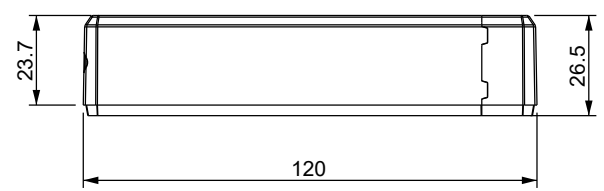
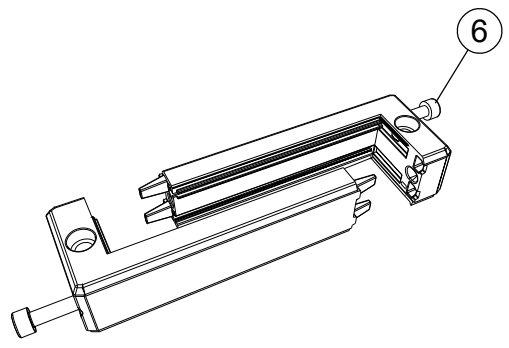
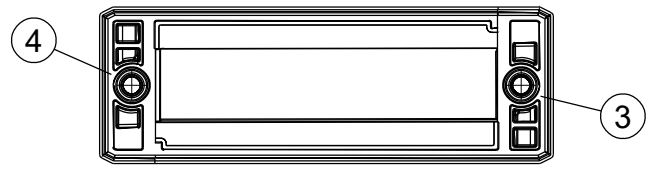
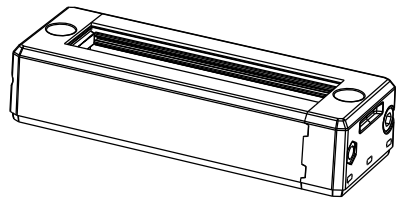


A

B

C

D



| Id | Description | Material | Q.ty |
|----|--------------------------------|----------|------|
| 1 | DES L4 Top | PP + GF | 1 |
| 2 | DES L4 Bottom | PP + GF | 1 |
| 3 | DES L4 Gasket Top | TPE | 1 |
| 4 | DES L4 Gasket Bottom | TPE | 1 |
| 5 | Nut (Black dacromet finishing) | SS304 | 2 |
| 6 | Screw Hex M5x0.8 L=114 | SS304 | 2 |

| | | | | | | | | | | | | |
|--|-------------|----------------|----------------|--------------------------|--|--|--|--------------------------|--|-------------|-------------------|--|
| | IP66 | NEMA 4X | NEMA 12 | HL3 EN 45545-2 | | | | UV ISO 4892-2A | | IK10 | -40 +155 °C | |
|--|-------------|----------------|----------------|--------------------------|--|--|--|--------------------------|--|-------------|-------------------|--|

Flammability: UL94-V0, self-extinguishing
Temperature: -40°C ... +155°C
Properties: halogen-free, silicone-free

Recommended cut-out:
86 x 18 mm

Available ATEX version:
DES L4 A - 1731310004

Available with threaded inserts:
DES L4 FT - 1731410004

| | | | | | | | |
|------------------------------------|-------------------------|----------------------------|--|------------------------|----------------------|--|-------------|
| Codice / Code 1731010004 | | | Descrizione / Description DES L4 | | | | Rev. 003 |
| Materiale / Material see table | Colore / Color Black | Peso / Weight (g) 120.4 | Unità di misura / Measure units mm | Formato / Format A4 | Scala / Scale 1:2 | | |

| | | | |
|--|--|-----------------------------------|---------------------------------------|
| www.detasultra.com | Data / Date 12/10/2020 | Numero foglio / Sheet number - | Numero progetto / Project number - |
| | Disegn. / Drawn ravezzano@detas.com | Note / Notes - | |

A

B

C

D