

## Mounting instructions for SM-KC kit

Before installation please ensure that both switches and all the indicators in kit are in 0 position.

Remove the position indicator as indicated in fig.2.

Mount the switches on the DIN rail and connect the cables. If auxiliary contacts are used, please follow their installation instructions.

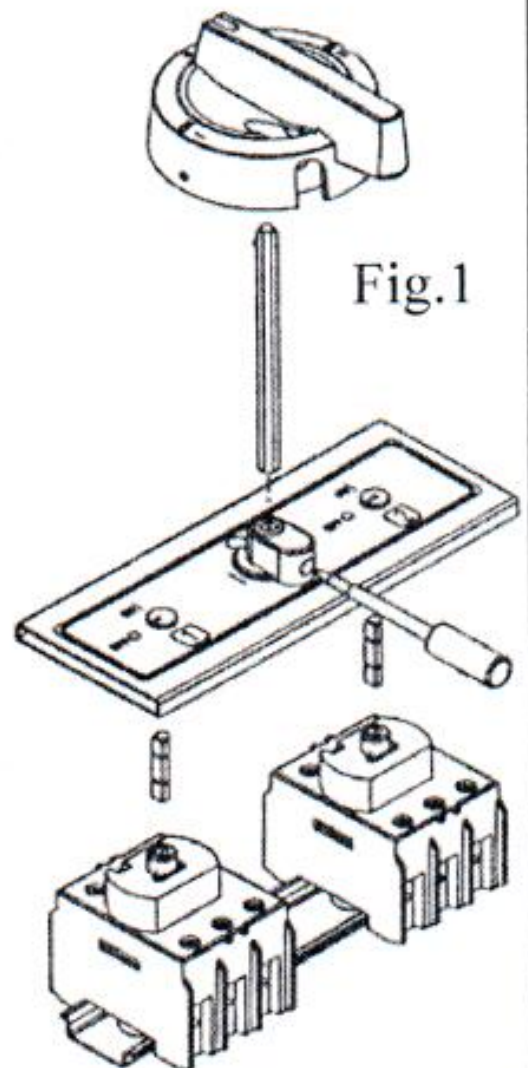
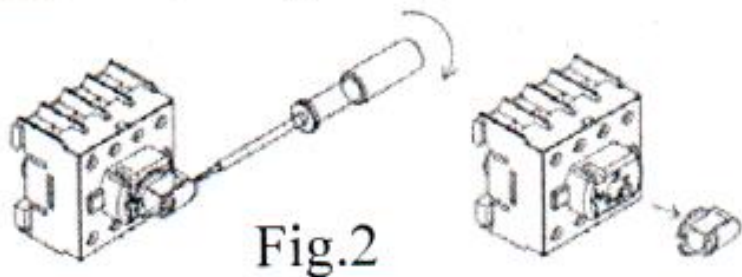
Put short shafts into switches and check that the shafts are correctly locked with the clips.

Press the SM-KC kit on the switches and check that the shafts are correctly locked into switches with the clips.

Put the long shaft into SM-KC kit with pin pointing to 0 position and then tighten the screw.

If necessary cut the shaft to the length required.

**Note:** the shaft must go through the SM-KC kit



### REMOVING THE KIT:

Turn the kit in 0 position. Press the clips in the switches with a suitable tool and remove the kit.