

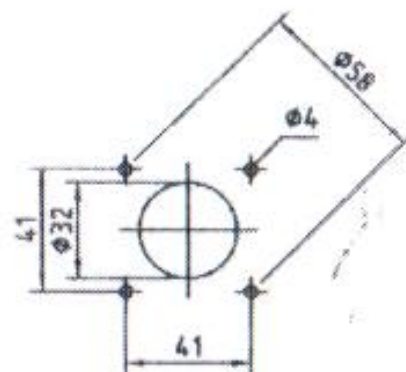
# Mounting instructions of the handles SM-HC and SM-HE

1. Make a 32 mm hole in the door of the switchboard (picture 1). The centre of the hole from door hinge should be 175 mm or more. Make the 4x4mm holes (picture 1).

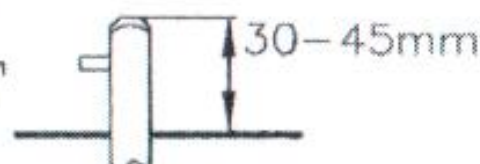
2. Install the switch in the switchboard. Make sure that the shaft of the switch is in the centre of the 32 mm hole.

The pin on the top of the shaft should be pointing left when the switch is in off-position (0-position). The shaft end should be 30–45 mm away from the door (picture 2).

3. Fasten the handle to the door. Check that 0-position mark of the handle is pointing left. Make sure that the switch is in off-position and the top of the shaft is pointing left.



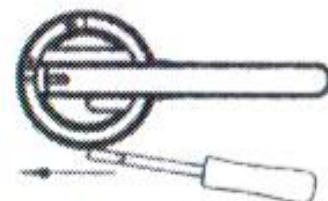
Picture 1.



Picture 2.

## PADLOCKING THE SWITCH IN OFF-POSITION

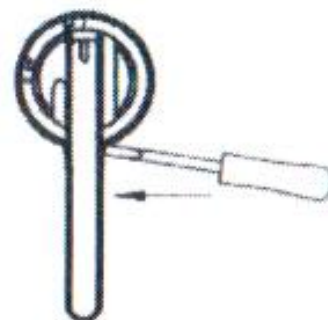
Turn the switch to the off-position. Push the defeat mechanism on the lower side of the handle clockwise (picture 3) so that the holes for the padlock open.



Picture 3.

## DOOR INTERLOCK DEFEAT

If you have to open the door when the switch is in on-position, take the following action: Under the handle there is a narrow gap, open the door lock mechanism by pushing it clockwise with a thin tool (picture 4).



Picture 4.