

EOCR-SP

Micro electronic over current relay designed to be directly coupled with magnetic contactors

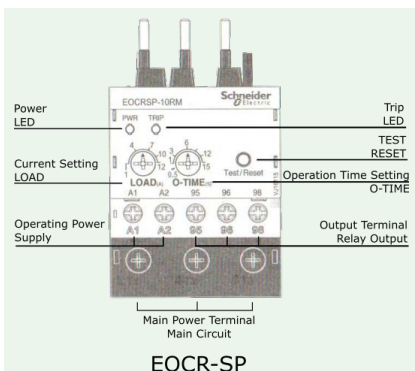


- Built-in MCU (Microprocessor Control Unit)
- Can be directly coupled with all domestic/imported magnetic contactors (MC)
- Various protection functions
- Operating current check: Red LED
- Operation display and trip cause check: Red/Green LED
- Manual (instant)/electrical (remote) reset
- Strong environmental resistance
- Super energy-saver
- No-voltage release/Fail-safe operation → N type
- ※ SP is single-phase/3-phase compatible

Protection Functions and Characteristics

Model	Type	Protection Function			Operation Characteristics	Time Setting	
		Over Current	Phase Loss	Locked Rotor		Start Delay	Operation Time
SP	01, 10, 20	○	△	△	Definite	x	0.5-15 sec

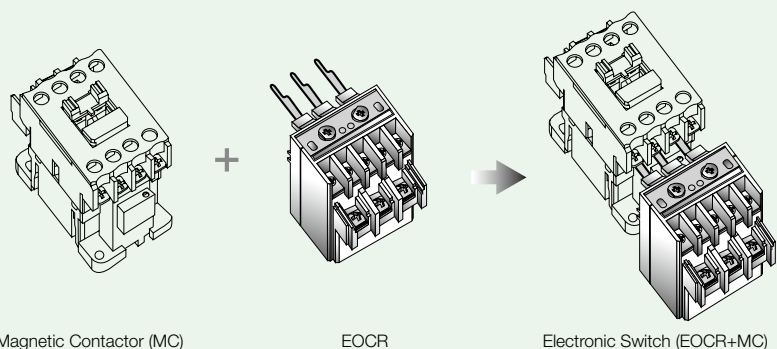
- Phase loss and locked rotors protection for SP are operated by over current.



Trip Cause Check

Condition		LED Signal		
		PWR (Green)		TRIP (Red)
Power on	Lights-on		Lights-out	
Normal operation	Lights-on		Lights-out	
Over-current	Lights-on		Lights-on	
Trip	Lights-out		Lights-on	

High compatibility, can be directly coupled with all domestic/foreign magnetic contactors

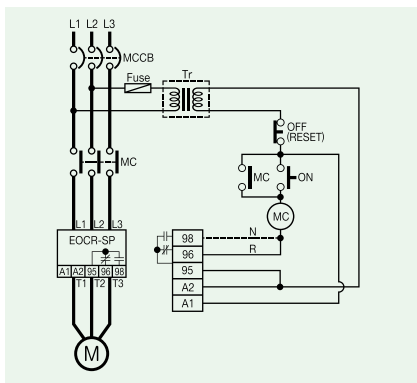


Magnetic Contactor (MC)

EOCR

Electronic Switch (EOCR+MC)

EOCR-SP

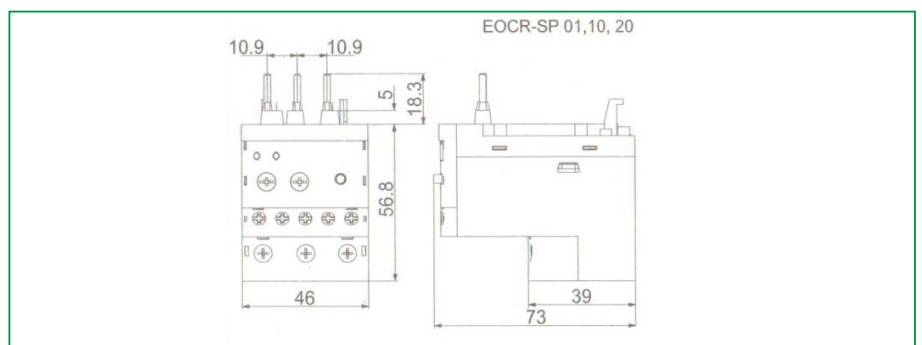


EOCR-SP

※ "N"(Fail safe) Type converts 95-96 to open and 97-98 to close when operating power is supplied to A1 and A2 (or L1 and L2).

Specifications

Current Setting		Type	Setting Range	
		01	0.3~1.2A	SP
		10	1~12A	SP
		20	5~25A	SP
Time Setting	Operation Time	O-TIME	Protection Functions and Characteristics	
Reset			Manual (instant)/electrical reset	
Operation Time Characteristic			Definite	
Operation Display			LED Lamp (trip cause check, see p.233)	
Operating Power Supply	Voltage	SP (01)	N Type : AC/DC 24V R Type : AC 230V	
		SP (10,20)	N Type : AC230V N Type : AC/DC 24V	
		Frequency	50/60Hz	
Auxiliary Contact	SP	SPDT (1c)	AC250V/3A resistive load	
Attachment			Electric Contactor (direct-coupled)	



EOCR-SP