

Temperature & Process Controllers

Features:

- Digital microprocessor based controllers
- PID adjustment
- Auto-tuning
- Heater break function
- Suit thermocouples type: J, K, S or PT100
- Output: 2x relays or 2x SSRs
- Input: 0/4...20mA (process control)
- Single or double display
- IP65 mounted in panel with gasket (GU-E33)
- Compact size 33H x 75W mm



KEY01-5

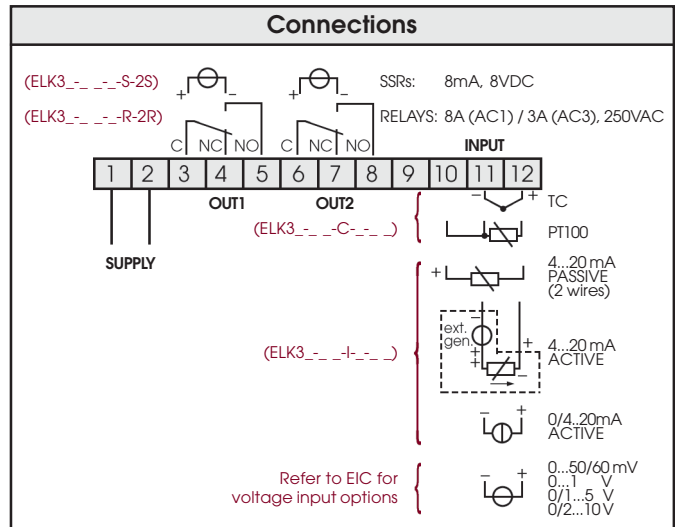
ELK38 Series
Single Line
Display



ELK39 Series
Double Line
Display



Input Data	
Thermocouples	<ul style="list-style-type: none"> • J, K, S: According to IEC 584-2, accuracy class 1 or 2 • PT100: According to IEC 751, accuracy class A or B
ELCO Infrared Thermocouples	IRS J and K: 0...50mV, 0...60mV, 12...60mV
Analogue Input Impedance	<ul style="list-style-type: none"> • For 0/4...20mA input: 51Ω • For mV and V input: 1MΩ
Output Data	
Relay	Up to 2 outputs SPDT 8A (AC1), 3A (AC3), 250VAC
Relay Electric Life	100,000 operations
Voltage For SSR Driving	Up to 2 outputs - 8mA / 8VDC (with protection against short circuits)

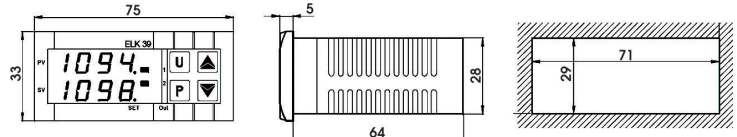


ELCO offer a variety of temperature controllers (on indent).

In the 33x75 mm series, the range includes models with:
- RS485 communication and models suitable for refrigeration applications.

Other models include:
- Analogue 8 pin, 48x48, 72x72, 96x96, 48x96mm and DIN rail mount controllers.

Dimensions:



Ordering Information

PART NUMBER	SUPPLY VOLTAGE		INPUT		OUTPUT		TRADE PRICE
	24V AC/DC	100-240V AC	TC (J,K,S,IR)	0/4~20mA	2x Relays	2x SSRs	
ELK38 - Single Line Display							
ELK38-24-C-R-2R	•		•		•		
ELK38-240-C-R-2R		•	•		•		
ELK38-240-C-S-2S		•	•			•	
ELK38-24-I-R-2R	•			•	•		
ELK39 - Double Line Display							
ELK39-24-C-R-2R	•		•		•		
ELK39-240-C-R-2R		•	•		•		
ELK39-240-C-S-2S		•	•			•	
ELK39-24-I-R-2R	•			•	•		
Accessories							
KEY01-5	Programming Key - for multiple programming copying for ELK38&39 controllers						
TRL-3F-D6-G10-GS3	Probe PT100 - working temperature 0°C to +350°C						