
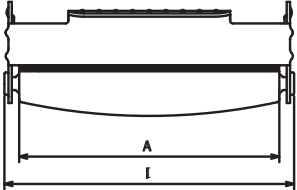
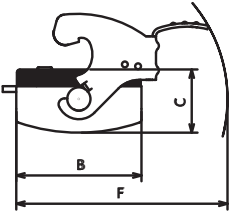






Covers with one lever and gasket	Size	Type STD-HV	Type STD
		Part No.	Part No.
  	6B 44x27	7806.6818.0	7806.6818.0
	10B 54x27	7810.6819.0	7810.6819.0
	16B 77x27	7816.6820.0	7816.6820.0
	24B 104x27	7824.6821.0	7824.6821.0
	32B 77x62	7832.6822.0	7832.6822.0

Size	A	B	C	I	F
6B 44x27	60	43	22	70.5	73
10B 57x27	73	43	22	83.5	73
16B 77x27	94	43	22	104	73
24B 104x27	120	43	23	130.5	73
32B 77x62	94	83	24	104.5	116

- Type: STD-HV for standard applications and inserts up to 830V, for hood/housings STD and STD-HV series
- IP66 protection degree